

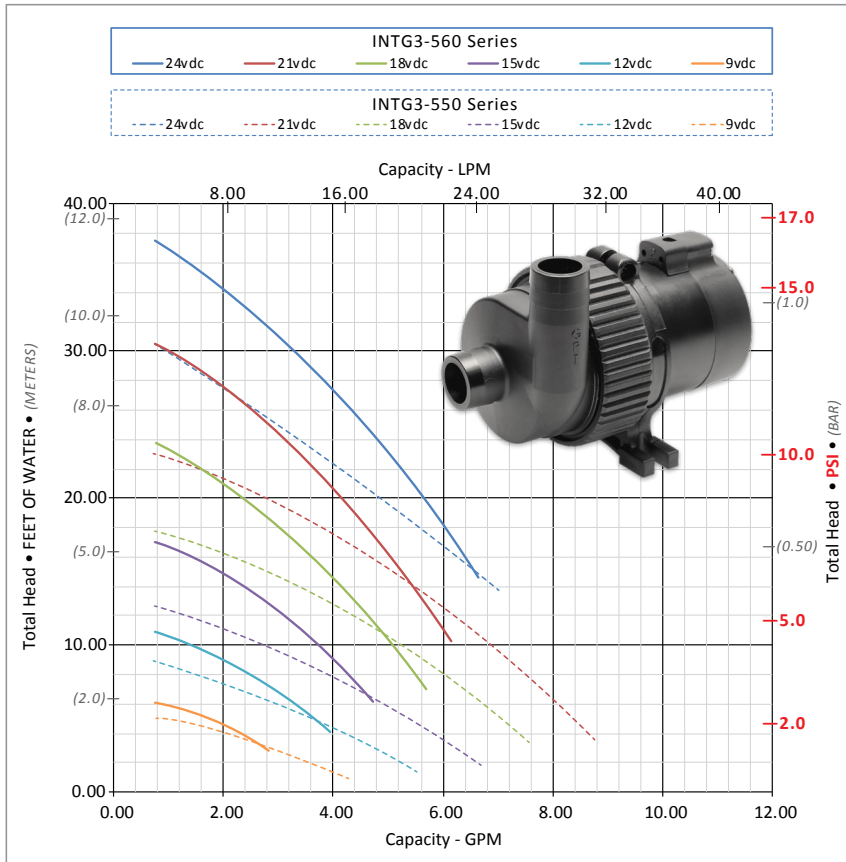
INTG 3

GRIpumps.com



Performance @ Maximum Flow • Per INTG3 Model Series

Series	Voltage	Flow (GPM)	Flow (L)	Ttl. Hd. (Ft)	Ttl. Hd. (PSI)	Ttl. Hd. (BAR)	Ttl. Hd. (M)
INTG3-550 Series	21 VDC	8.85	33.50	2.36	1.02	0.07	0.72
INTG3-560 Series	24 VDC	6.70	25.40	14.87	6.45	0.44	4.53
INTG3 AC Series	115/230 VAC	8.00	30.5	9.67	4.2	.29	2.95



Note: Testing performed in a controlled laboratory environment. Actual performance may vary (+) or (-) 10% from the information shown.
Do Not Run Pumps Dry. Pumps must be in a continuous flooded suction environment.

Specifications

Maximum System Pressure: 75 psi
Approximate Weight: .8 LBS (362.9 grams)
Ports: 1/2", 3/4" MHB, 3/8" MPT / OEM Customization Available

Materials In Contact With Solution

Body: PPS	Housing: PPS	Static O-Ring: EPDM, FKM
Impeller: PPS	Pump Shaft: Ceramic	

Motor Specifications

Motor: Integrated, Brushless DC	Control Options
Supply Voltage:	
<ul style="list-style-type: none"> 12-24 VDC 115, 230 VAC (auto sensing technology), Optional with OEM quantities. 	<ul style="list-style-type: none"> Direct Supply Voltage: Speed of the pump determined by the voltage supplied Analog: 0-5v DC signal Digital: PWM Tachometer: Feedback option available
Electronics Maximum Power: 60 Watts	
<p>To protect the control board, each Integrity Series pump will be issued with a Maximum Power limit (Watts). To stay within this limit, the recommended fuse size (Amps) will be based on the voltage supplied. (Watts = Voltage X Amps)</p>	

Maximum Fluid Temperature Rating Chart

Controller Position	Maximum Fluid Temp Rating
Separate from pump	221°F (105°C)
Within pump's housing	149°F (65°C)
Various factors influence the recommended maximum temperature rating. These factors play a role in determining the pump's life and applied warranties. In some applications, a higher maximum fluid temperature rating may be warranted.	Factors influencing maximum temperature rating include, but are not limited to: <ul style="list-style-type: none"> Starting temperature of fluid in system Ambient temperature Required performance, application's specifications Run time

Optional Agency Approvals

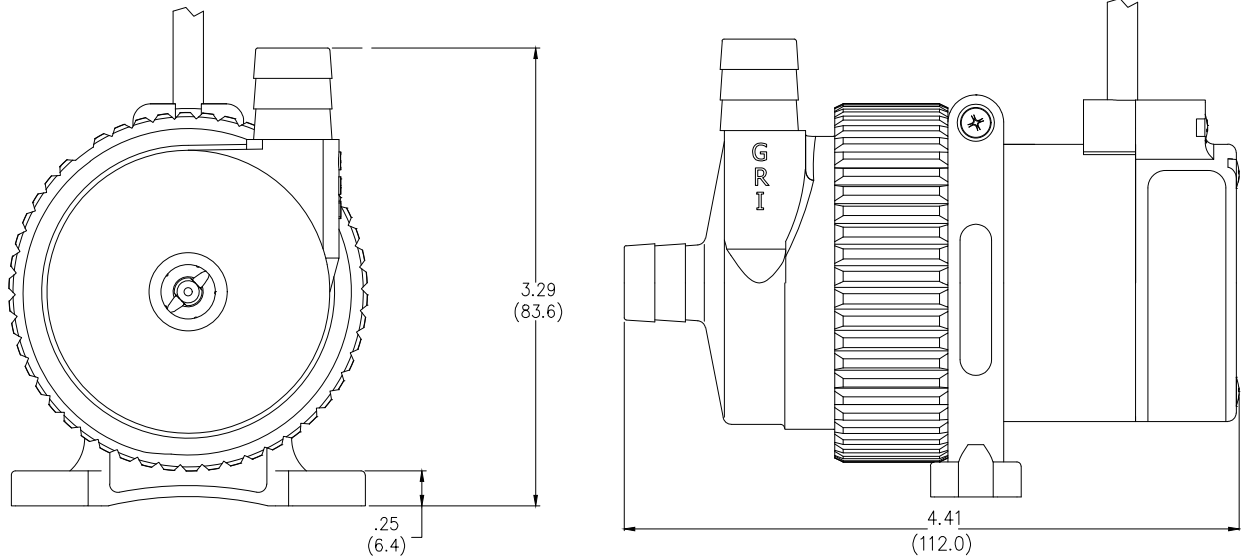
UL778: Motor-Operated Water Pumps
NSF372: Lead Content

RoHS/REACH

Many GRI pumps are RoHS & REACH compliant. For declarations by specific model numbers, please contact GRI.

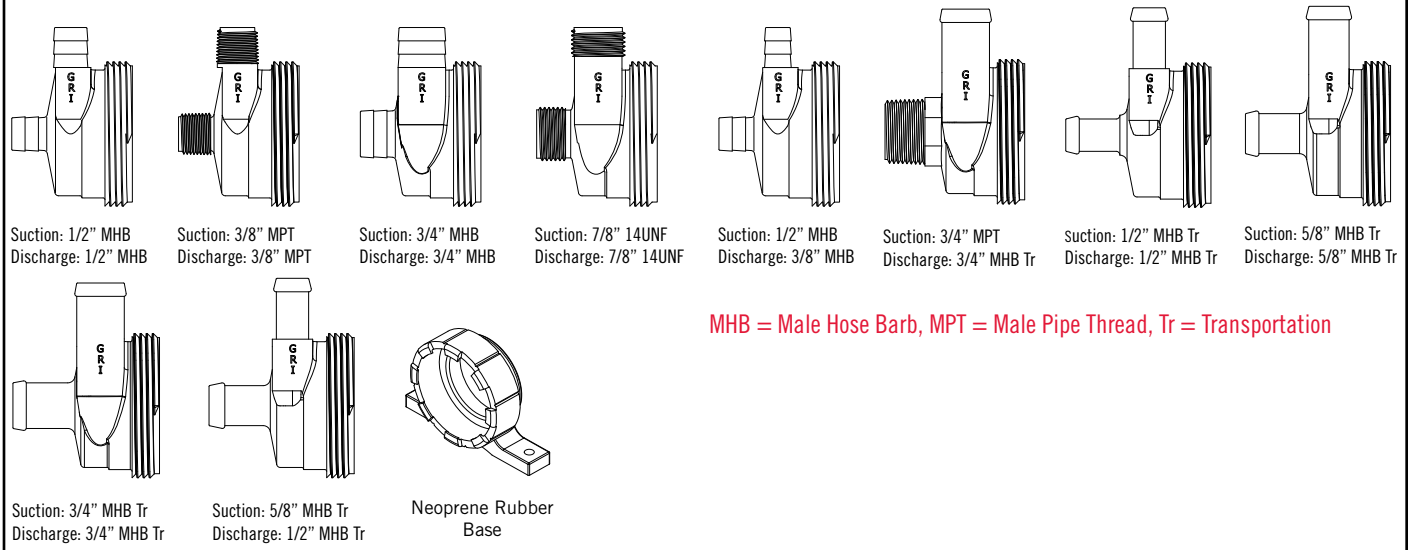
IP (Ingress Protection)

IP68: No ingress of dust, protection against continuous water immersion.*
 * Upon request only. Minimum quantities may be required.



INTG3 Series Typical Dimensional Drawing. Many other OEM port options and configurations are available. Please contact GRI to discuss.

Base Model Options



Integrity Series Pumps are designed and manufactured specifically for OEM customization. If you don't immediately find a pump that meets your exact requirements, our dedicated Pump Team is ready to work with you in developing a solution specific to your application.

INTG3 SERIES MODELS				Voltage	Max Flow GPM (LPM)	Max Head Ft. (PSI) (m)	Ports Inches
EPDM O-Ring		FKM O-Ring					
2 wire: DC (+), (-) AC (Line), (Neutral)	3 wire: (+), (-), Speed Control	2 wire: DC (+), (-) AC (Line), (Neutral)	3 wire: (+), (-), Speed Control				
INTG3-550	INTG3-552	INTG3-551	INTG3-553	12-24 VDC	8.85 (33.5)	32.00 (13.9) (9.8)	3/4 MHB
INTG3-560	INTG3-562	INTG3-561	INTG3-563		6.70 (25.4)	37.00 (16.0) (11.3)	1/2 MHB
INTG3-564	INTG3-566	INTG3-565	INTG3-567				3/8 MPT
INTG3-860 AC	—	INTG3-861 AC	—	115 VAC 230 VAC	8.00 (30.3)	45.00 (19.5) (13.7)	1/2 MHB

Connectors: MHB = Male Hose Barb; MPT = Male Pipe Thread | O-Ring Material: EPDM = Ethylene Propylene Diene Monomer, FKM = Fluoroelastomer.