

# Blue-White®

Engineering and Technical Data

## F-400

### Variable Area Flow Meter



### Features

- > Durable, highly polished, one piece meter body
- > Annealed for added strength and chemical resistance
- > Acceptable in direct sunlight
- > Full scale accuracy +/- 5%
- > 316SS float & guide-wire

### Highlights

#### Flow range

.025 - 5.0 GPM  
.100 - 20 LPM

#### Pressures up to

150 PSI  
(10.3 bar)

#### Max. fluid temp.

150 °F  
65 °C

#### Body

Acrylic

#### Adapters

1/4", 3/8" & 1/2" F/NPT

#### Warranty

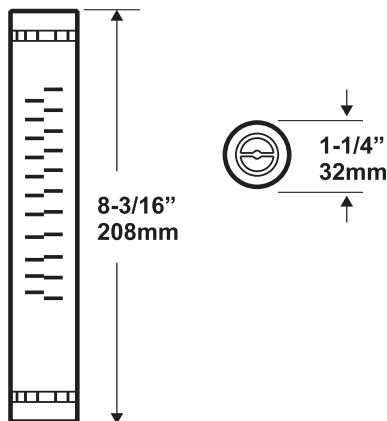
1 Year



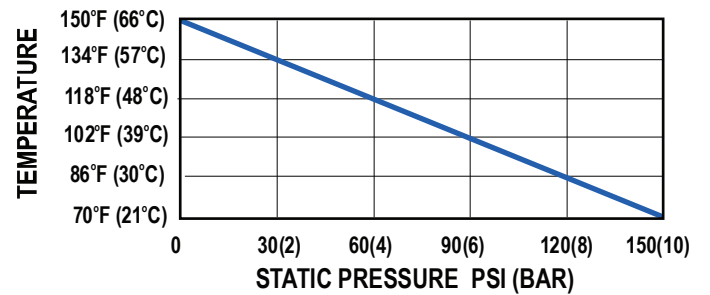
<b>Maximum Working Pressure</b>	150 psi (10.3 bar) @ 70 °F (21 °C)
<b>Maximum Fluid Temperature</b>	150 °F (65 °C)
<b>Full Scale Accuracy</b>	+/- 5%
<b>Calibration Fluid</b>	Water, specific gravity 1.0
<b>Scale Length</b>	4" (100mm)
<b>Environment</b>	Acceptable for direct sunlight exposure
<b>Approximate Shipping Weight</b>	0.5 lb (.23kg)

## Dimensions

Dim	Inch	cm
A	8-3/16"	20.8
B	1-1/4"	3.2



## Maximum Temperature vs. Pressure



---

**Wetted Components:**

---

<b>Meter Body</b>	Cast acrylic rod
<b>Adapters</b>	Polypropylene
<b>O-ring Seals</b>	Viton® (optional EP)
<b>Float</b>	316SS, PVDF or PTFE (varies by model)
<b>Guide Rod</b>	316SS

---

## Output Specifications

Model	Feed Rate		Max Pressure	Max Temperature	Float Material
	GPM	LPM	PSI (bar)	°F (°C)	
F-40250LN	0.025–0.250	0.1–1.0	150 (10.3)	150 (65)	PVDF
F-40050LN	0.05–0.5	0.2–2.0	150 (10.3)	150 (65)	316SS
F-40375LN	0.1–1.0	0.4–4.0	150 (10.3)	150 (65)	PTFE
F-40376LN	0.2–2.0	1.0–7.5	150 (10.3)	150 (65)	316SS
F-40377LN	0.3–3.0	1.5–11	150 (10.3)	150 (65)	316SS
F-40500LN	0.5–5.0	2.0–20	150 (10.3)	150 (65)	316SS

# Model Number Matrix

## F-400 Model Number

<b>F</b>	Flow Meter						
<b>Series</b>							
	<b>40</b>	F-400 Acrylic body					
<b>Scale</b>							
	<b>050</b>	0.05 - .5 gpm (0.2 - 2.0 lpm) 316ss Float					
	<b>250</b>	0.025 - .25 gpm (0.1 - 1.0 lpm) PVDF Float					
	<b>375</b>	0.1 - 1.0 gpm (0.4 - 4.0 lpm) PTFE Float					
	<b>376</b>	0.2 - 2.0 gpm (1.0 - 7.5 lpm) 316ss Float					
	<b>377</b>	0.3 - 3.0 gpm (1.5 - 11 lpm) 316ss Float					
	<b>500</b>	0.5 - 5.0 gpm (2.0 - 20 lpm) 316ss Float					
<b>Guide-Wire Material</b>							
	<b>LN</b>	316 Stainless steel rod					
<b>Adapter</b>							
	<b>4</b>	.250" Female NPT, Polypropylene					
	<b>6</b>	.375" Female NPT, Polypropylene					
	<b>8</b>	.500" Female NPT, Polypropylene					
<b>O-Rings</b>							
	<b>(Blank)</b>	Viton					
	<b>-22P</b>	EP					
<b>F</b>	<b>-</b>	<b>40</b>	<b>050</b>	<b>LN</b>	<b>-</b>	<b>4</b>	<b>Sample Model Number</b>

\*In-house NIST Calibration, OEM packaging, silicone oil free and bulk packaging options are also available.