

EchoPulse® LR15

Pulse Radar Liquid Level Transmitter



Application

The general purpose 26 GHz. pulse radar transmitter provides continuous level measurement up to 98.4' (30m) with a 4-20 mA signal output, and is configured via its integral push button display module. The non-contact liquid level sensor is intended for petroleum, water, wastewater and diluted chemical storage or process applications in above or below grade tanks of any material. Select this sensor for challenging process conditions with low or non-corrosive media, light surface foam or agitation, higher temperature or pressure, condensation or vapor, and installation in a tank adapter, flange fitting or metal stand-pipe. Typical applications include bulk storage, tanker truck, process tank, waste sump and neutralization tanks.



Features

- Rugged 316L stainless steel antenna and process mount
- Simple configuration via integral push button display module
- 26 GHz. pulse radar is unaffected by vapor or condensation
- 12" (30cm) dead band enables utilization of the entire tank
- LCD displays level in feet or meters with percent of span bar
- Optional display mode indicates the echo signal return curve
- Auto-temperature compensation for accurate measurement
- Fail-safe diagnostics with selectable signal fail-safe outputs
- Recognition, storage and rejection of false echo signal returns
- Rugged IP67 aluminum enclosure with polycarbonate window

Success

There are 612k restaurants in the US that generate waste vegetable oil. Viscous with floating particulate and animal fat, waste oil is difficult to measure. Rendering companies collect, process and sell waste oil to secondary markets. Here, a LR15 is flange mounted on a 23' storage tank at an oil rendering plant. Its 26 GHz. pulse radar measurement is unaffected by the process condition.



LR15-0010-20 Shown



EchoPulse® LR15

Pulse Radar Liquid Level Transmitter



Specifications

Range:	12" to 98.4' (30cm to 30m)
Frequency:	26 GHz.
Accuracy:	± 3mm
Dead band:	12" (30cm)
Beam angle:	- 20: 18° - 30: 12° - 40: 8°
Configuration:	Push button
Memory:	Non-volatile
Display type:	LCD, dot matrix
Display units:	Feet and meters
Display bar:	Percent of span
Display graph:	Echo signal curve
Supply voltage:	16-26 VDC
Max. consumption:	22.5 mA
Signal output:	4-20 mA, two-wire
Signal invert:	4-20 mA, 20-4 mA
Signal fail-safe:	3.9 mA, 20.5 mA, 22 mA
Process temp.:	F: -76° to 302° C: -60° to 150°
Temp. comp.:	Automatic
Storage temp.:	F: -40° to 176° C: -40° to 80°
Pressure:	-14.5 to 150 psi (-1 to 10 bar)
Enclosure rating:	IP67
Encl. material:	Aluminum w/silicone gasket
Encl. window mat.:	Polycarbonate
Conduit entrance:	(1) 1/2" NPT connector (1) M20 x 1.5 plug
Antenna material:	316L
Process mount:	1 1/2" NPT
Classification:	General purpose
Certification:	cTUVus FCC
Compliance:	CE, CRN, RoHS

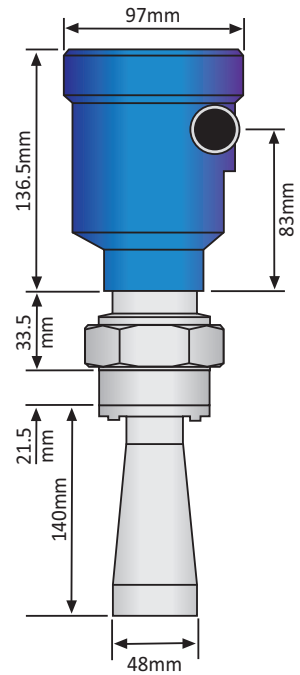
Dimensions

ANTENNA

P/N	X	Y
- 20	2" (48mm)	5.51" (140mm)
- 30	3" (78mm)	8.94" (227mm)
- 40	4" (98mm)	11.34" (288mm)



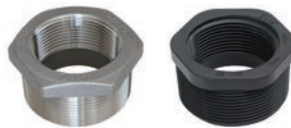
Echo Signal Return Curve Shown



Fittings

REDUCER BUSHINGS

LM53-2400	2" x 1.5" NPT, PVC, schedule 40
LM53-2800	2" x 1.5" NPT, PVC, schedule 80
LM53-3800	3" x 1.5" NPT, PVC, schedule 80
LM53-2S10	2" x 1.5" NPT, 316 stainless



LM53-2S10 LM53-2800

ANSI FLANGES | SS

LM53-3S50	3" x 1.5" NPT, 316 stainless
LM53-4S50	4" x 1.5" NPT, 316 stainless
LM53-6S50	6" x 1.5" NPT, 316 stainless



LM53-4S50

ANSI FLANGES | CPVC

LM53-3850	3" x 1.5" NPT, CPVC, schedule 80
LM53-4850	4" x 1.5" NPT, CPVC, schedule 80
LM53-6850	6" x 1.5" NPT, CPVC, schedule 80



LM53-3850

Ordering

LR15-0010- 0

ANTENNA SIZE (1) (2)

2	2" (48mm) horn
3	3" (78mm) horn
4	4" (98mm) horn



NOTES

- 1) If you want help in selecting a sensor for your application, please go to our website and submit a Level Questionnaire. An engineer will review your requirements and suggest a product solution via email.
- 2) To install the radar sensor with a flange or reducer bushing, order the fitting separately, and follow the antenna preparation instructions in the manual.