

EASTERN®

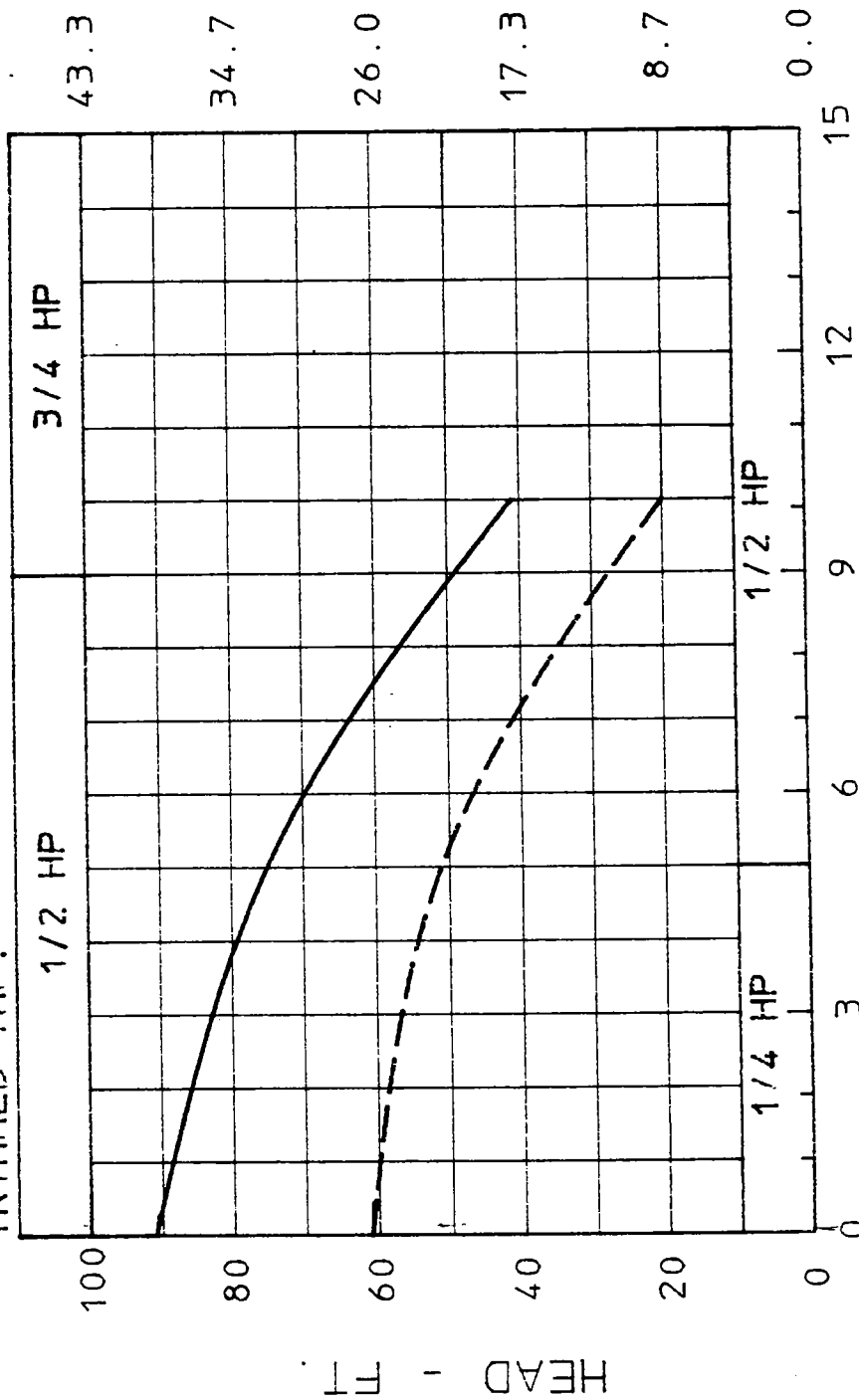
SECTION:
PAGE:
EFFECTIVE:
SUPERSEDES:

MODEL J
J21
07/01/96
NEW

EASTERN CENTRICHEM ECJ2

INLET: 1/2" TEST MEDIA: WATER
OUTLET: 1/2" RPM: 2850

STANDARD IMP. ———
TRIMMED IMP. - - - -

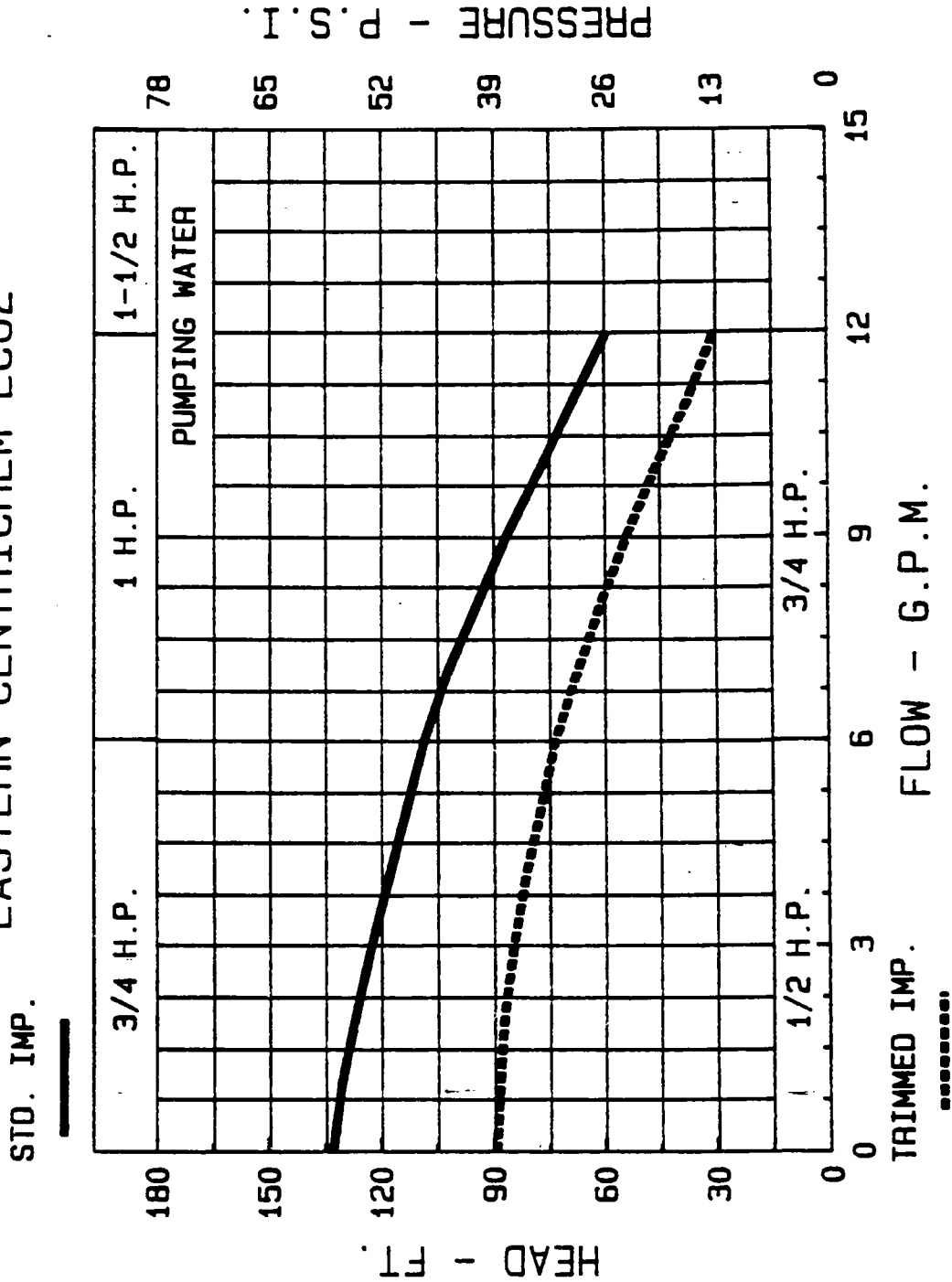


FLOW - G.P.M.

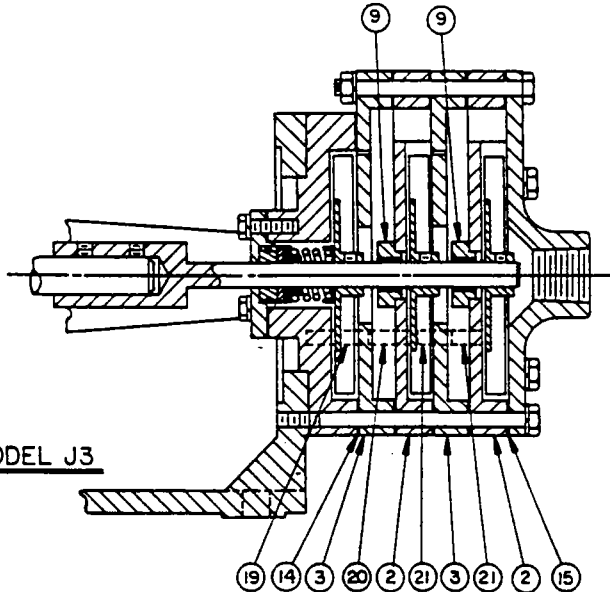
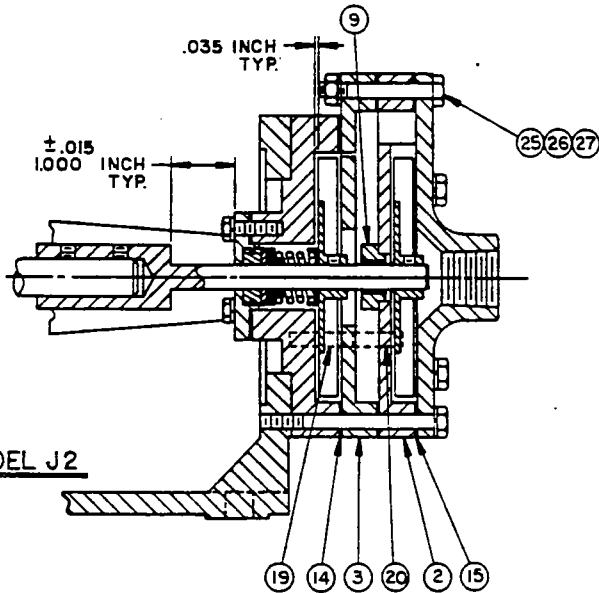
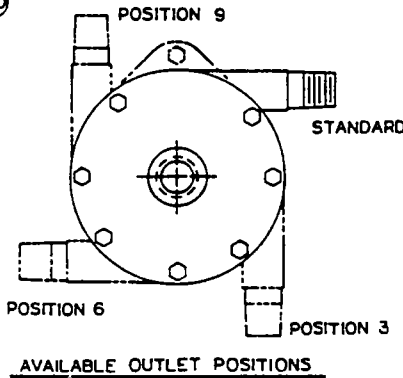
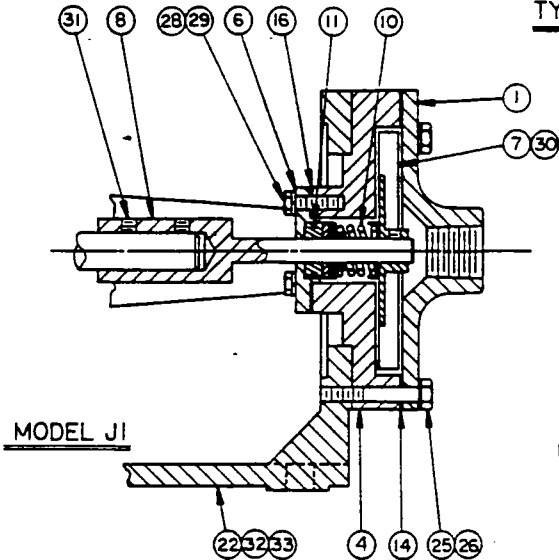
AS00049_001

SECTION: MODEL J
 PAGE: J11
 EFFECTIVE: 03/02/87
 SUPERSEDES: 04/01/86

EASTERN CENTRICHEM ECJ2

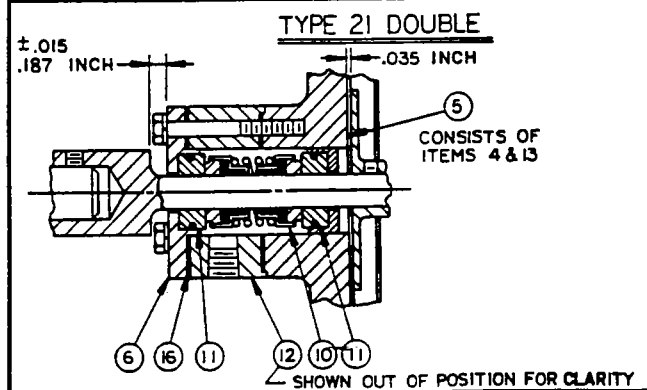
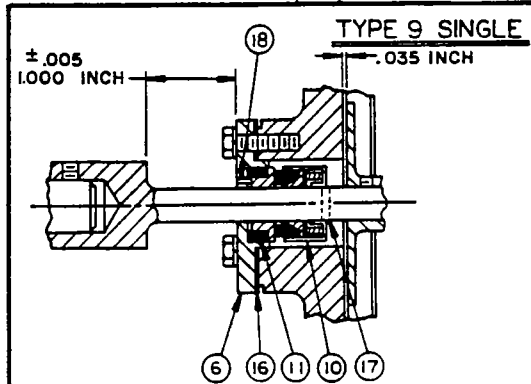


**STANDARD SEAL
TYPE 21 SINGLE**



NOTE:
1. REFER TO COMPOSITE
BILL OF MATERIALS FOR
PART NUMBERS AND
QUANTITIES.

| ITEM | PART NAME |
|------|---------------------------------|
| 1 | FRONT COVER |
| 2 | ACTIVE HOUSING |
| 3 | DEAD HOUSING |
| 4 | REAR HOUSING |
| 5 | REAR HOUSING ASSEMBLY |
| 6 | SEAL STOP |
| 7 | IMPELLER |
| 8 | PUMP SHAFT |
| 9 | BEARING ASSEMBLY |
| 10 | SEAL HEAD |
| 11 | SEAL SEAT |
| 12 | GLAND (DOUBLE SEAL) |
| 13 | INNER SEAL STOP |
| 14 | GASKET (REAR HOUSING) |
| 15 | GASKET (HOUSING) |
| 16 | GASKET (SEAL STOP) |
| 17 | ROTARY SEAL PIN (SHAFT) |
| 18 | ROTARY SEAL PIN (SEAL SEAT) |
| 19 | ALIGNMENT PIN *A* 1.00 INCH |
| 20 | ALIGNMENT PIN *B* .75 INCH |
| 21 | ALIGNMENT PIN *C* .50 INCH |
| 22 | MOTOR ADAPTOR |
| 23 | NAME TAG -NOT SHOWN |
| 24 | 1/8" NPT PLUG-NOT SHOWN |
| 25 | FRONT COVER BOLT |
| 26 | FRONT COVER LOCK WASHER |
| 27 | FRONT COVER NUT |
| 28 | SEAL STOP BOLT |
| 29 | SEAL STOP LOCK WASHER |
| 30 | IMPELLER SET SCREW |
| 31 | PUMP SHAFT SET SCREW |
| 32 | MOTOR ADAPTOR BOLT |
| 33 | MOTOR ADAPTOR LOCK WASHER |
| 34 | NAME TAG DRIVE SCREWS-NOT SHOWN |
| 35 | GUARD, PUMP SHAFT-NOT SHOWN |
| 36 | GUARD HARDWARE -NOT SHOWN |

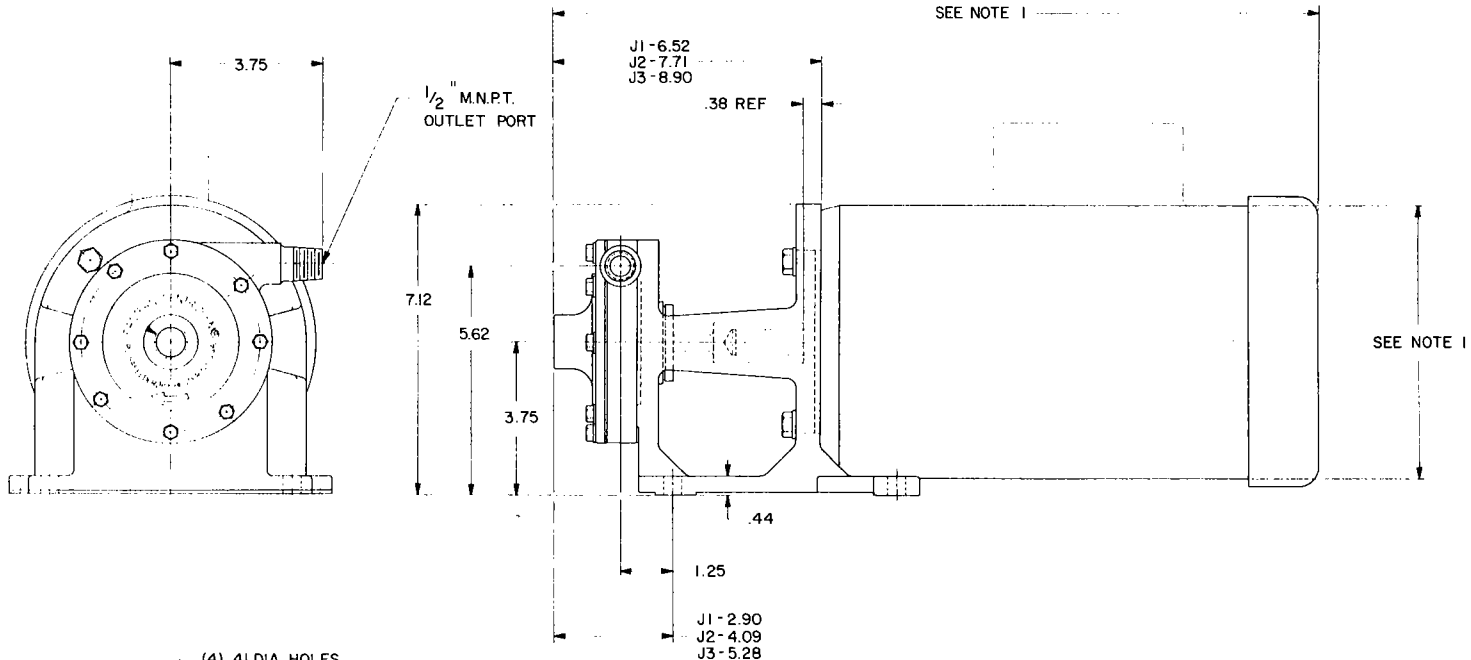


EASTERN **Pulsafeeder**

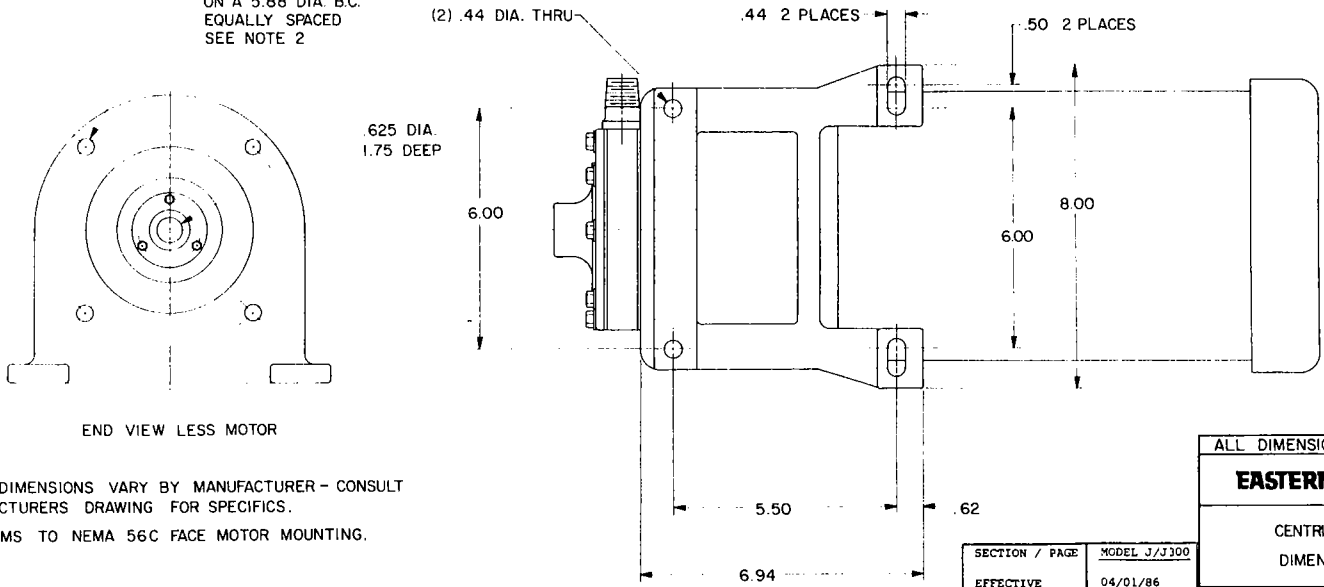
**CENTRICHEM® - J SERIES
TYPICAL PUMP ASSEMBLIES**

| | | | |
|--------------|----------------|-------------------|---------|
| SECTION/PAGE | MODEL J / J400 | BWN.BY: TLM | PLE 001 |
| EFFECTIVE | 01/01/93 | DATE: 1-3-86 | |
| SUPERSEDES | 10/15/86 | DATE REV: 10-5-86 | |

1/2" FN.P.T.
INLET PORT



(4) .41 DIA. HOLES
ON A 5.88 DIA. B.C.
EQUALLY SPACED
SEE NOTE 2



END VIEW LESS MOTOR

NOTE :

1. MOTOR DIMENSIONS VARY BY MANUFACTURER - CONSULT
MANUFACTURERS DRAWING FOR SPECIFICS.

2. CONFORMS TO NEMA 56C FACE MOTOR MOUNTING.

| | |
|---|---|
| ALL DIMENSIONS ARE IN INCHES | |
| EASTERN | Pulsafeeder ROCHESTER, NEW YORK 14623 |
| CENTRICHEM®-J SERIES DIMENSIONAL DRAWING | |
| DWN BY: MEH | Y1000 |
| DATE: 2-20-86 | |

| | |
|----------------|--------------|
| SECTION / PAGE | MODEL J/J300 |
| EFFECTIVE | 04/01/86 |
| SUPERSEDES | NEW |