

# EASTERN®

SECTION: MODEL C  
 PAGE: C10  
 EFFECTIVE: 11/02/87  
 SUPERSEDES: 03/02/87

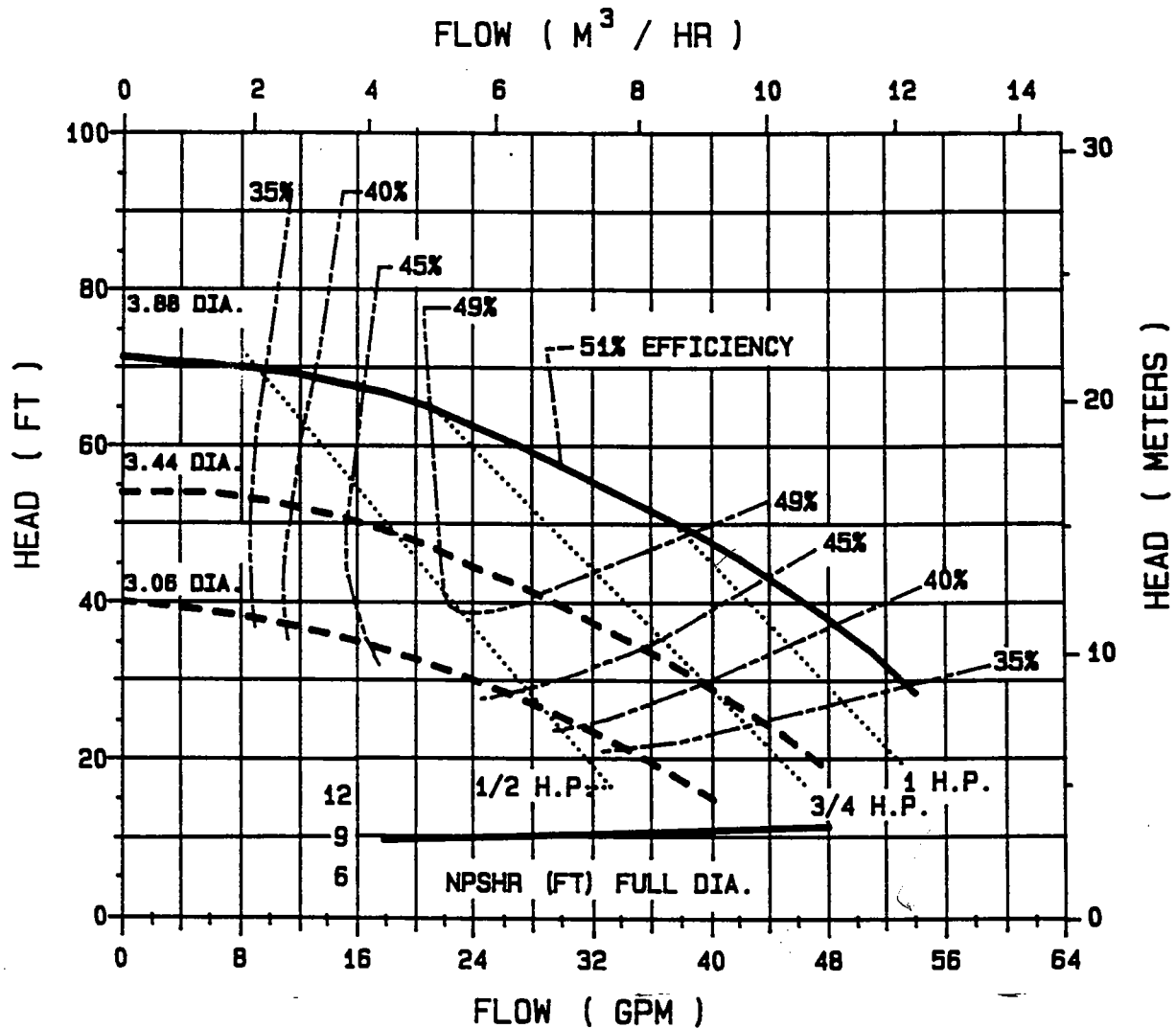
## EASTERN CENTRICHEM ECC1

INLET : 1"

OUTLET : 3/4"

TEST MEDIA : WATER

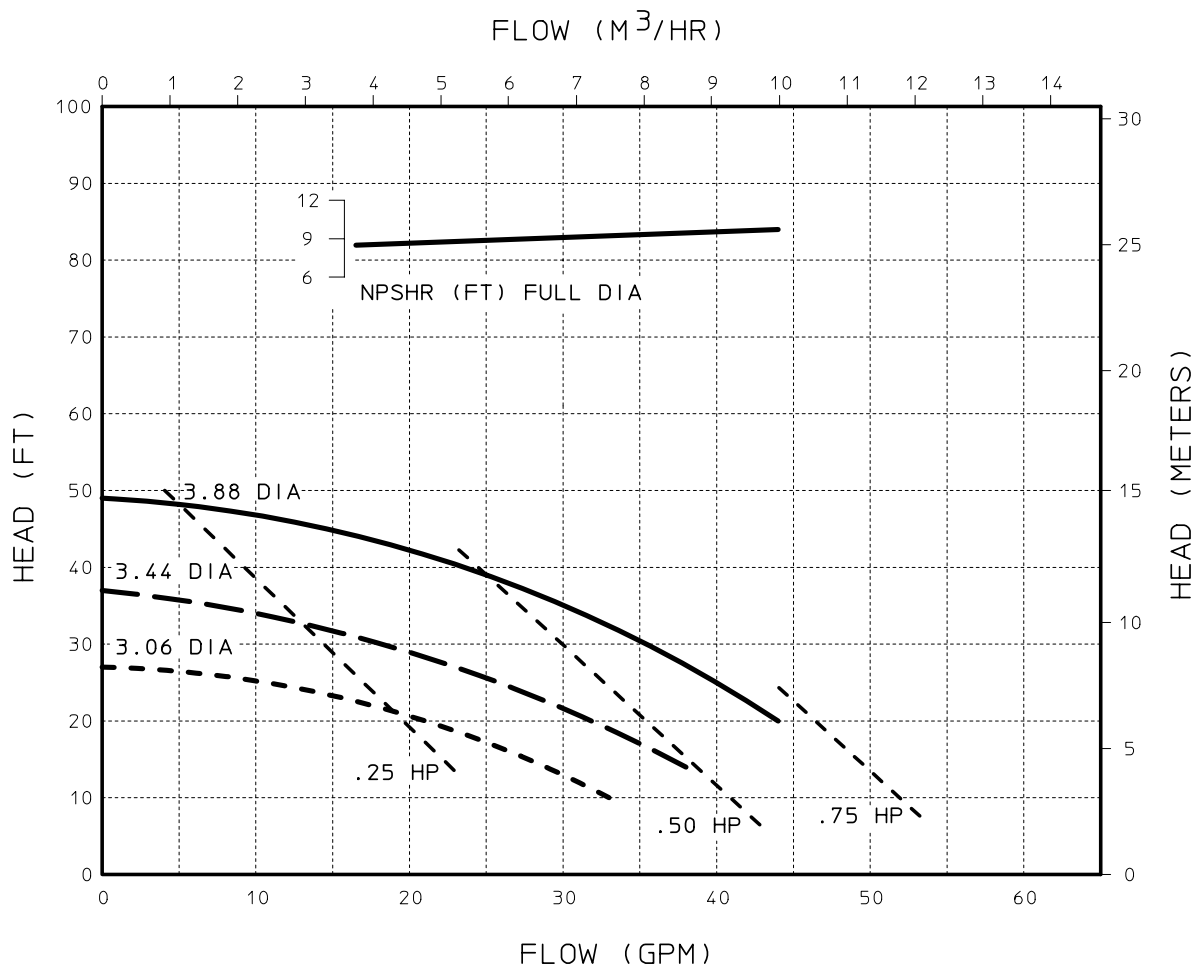
RPM : 3450

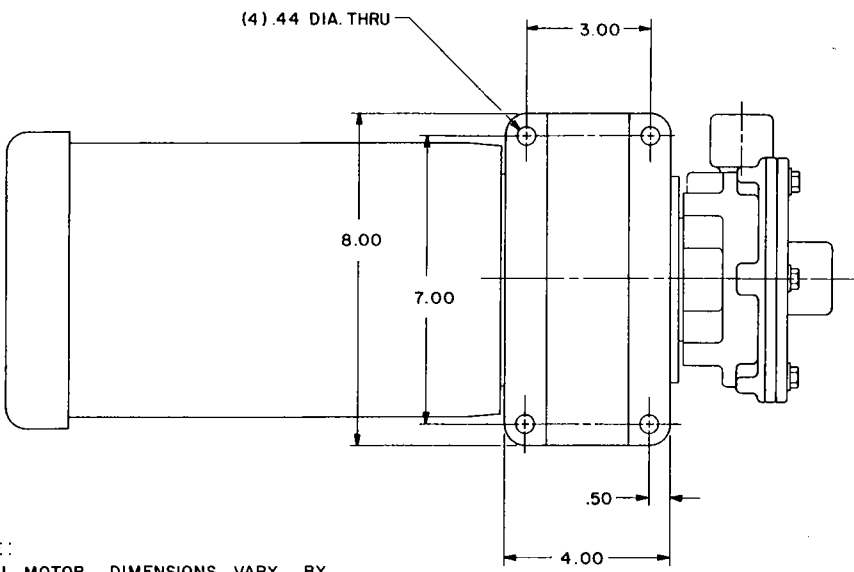
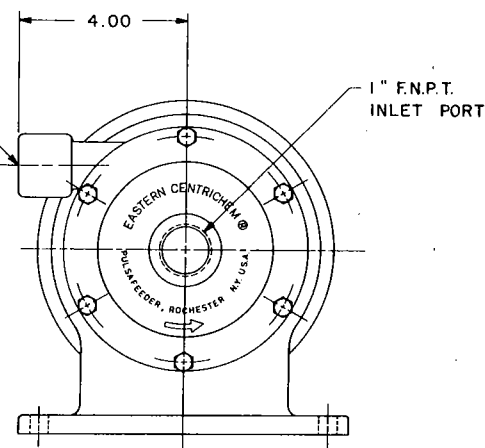
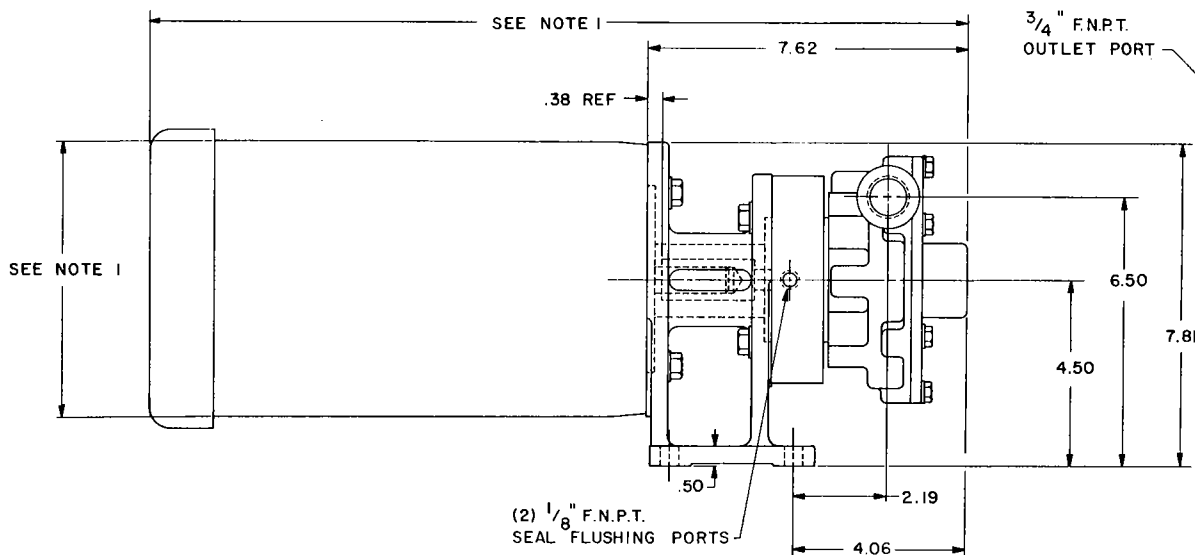


# EASTERN CENTRICHEM ECC1/CMC1

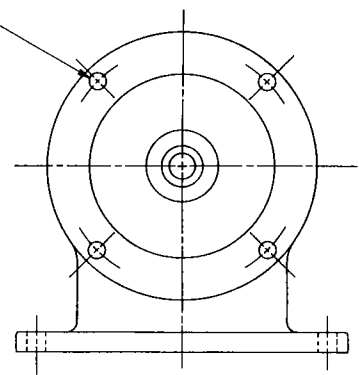
INLET: 1"  
OUTLET: 3/4"

TEST MEDIA: WATER  
RPM: 2850





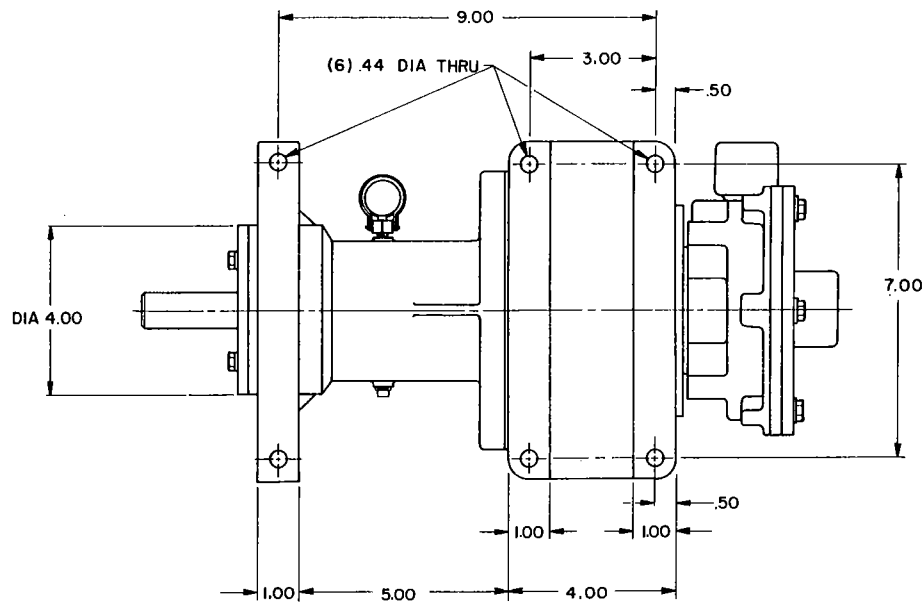
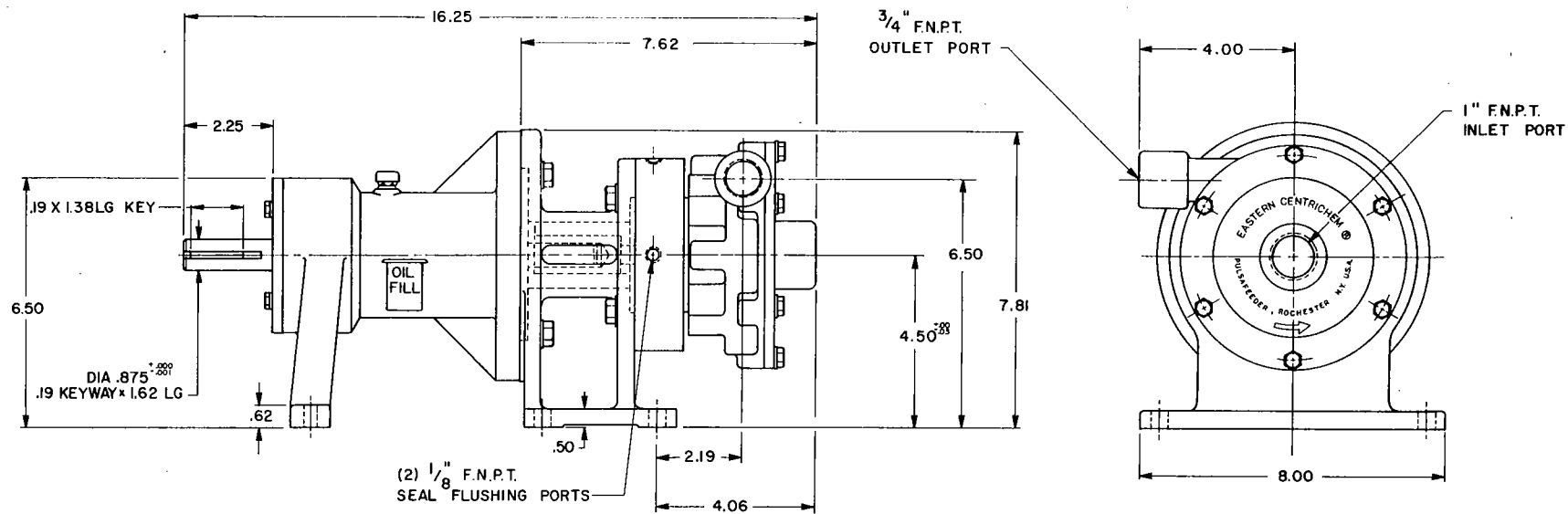
(4) .41 DIA HOLES  
ON A 5.88 DIA. B.C.  
EQUALLY SPACED  
SEE NOTE 2



END VIEW LESS MOTOR

NOTE:  
1. MOTOR DIMENSIONS VARY BY  
MANUFACTURER - CONSULT MANUFACTURERS  
DRAWING FOR SPECIFICS.  
2. CONFORMS TO NEMA 56C FACE  
MOTOR MOUNTING.

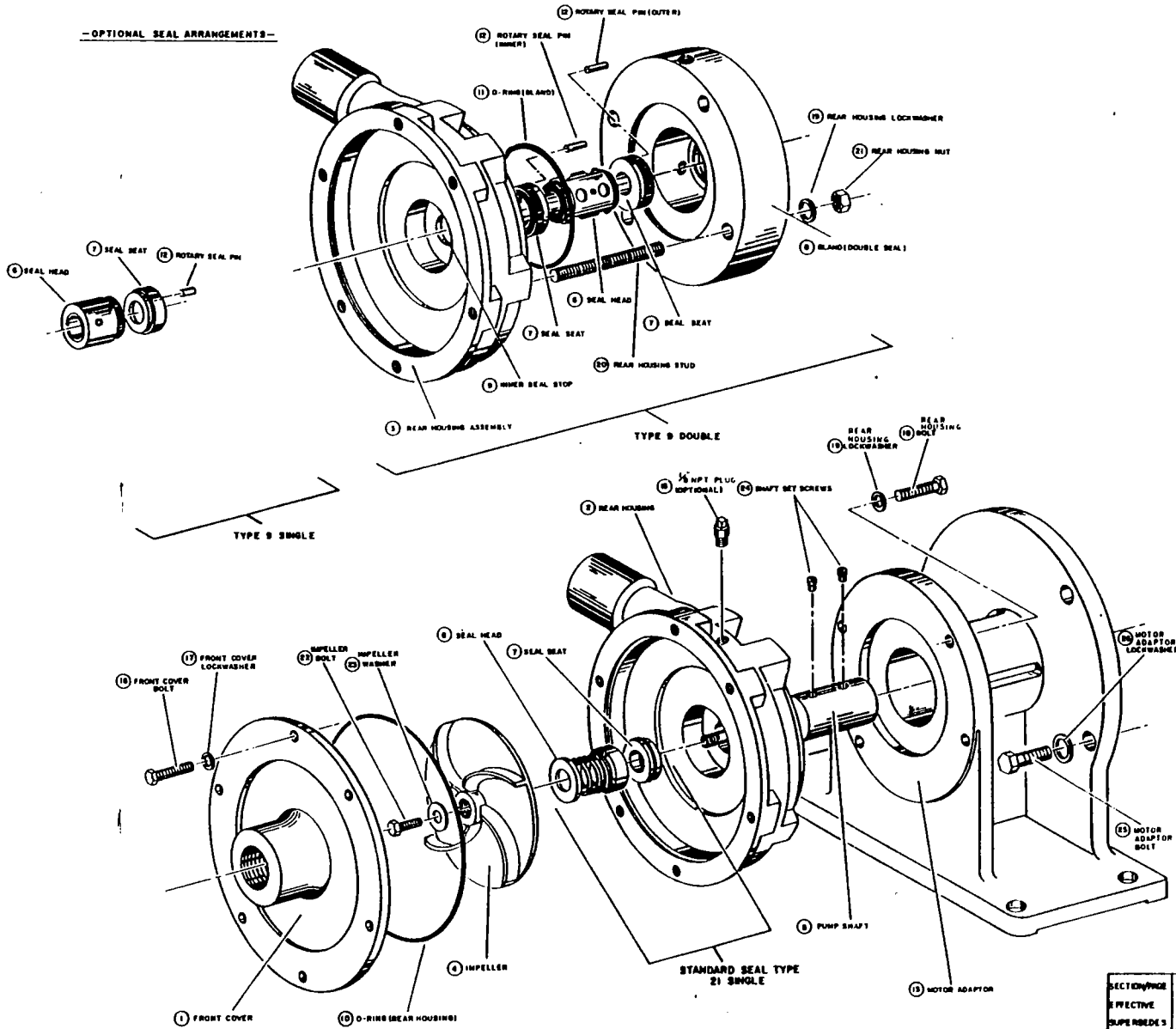
ALL DIMENSIONS ARE IN INCHES	
<b>EASTERN</b>	<b>Pulsafeeder</b> ROCHESTER, NEW YORK 14625
CENTRICHEM® - C SERIES DOUBLE SEAL DIMENSIONAL DRAWING	
SECTION / PAGE	MODEL C / C301
EFFECTIVE	10/15/86
SUPERSEDES	NEW
DWN BY: MEH	Y1004
DATE: 6-6-86	



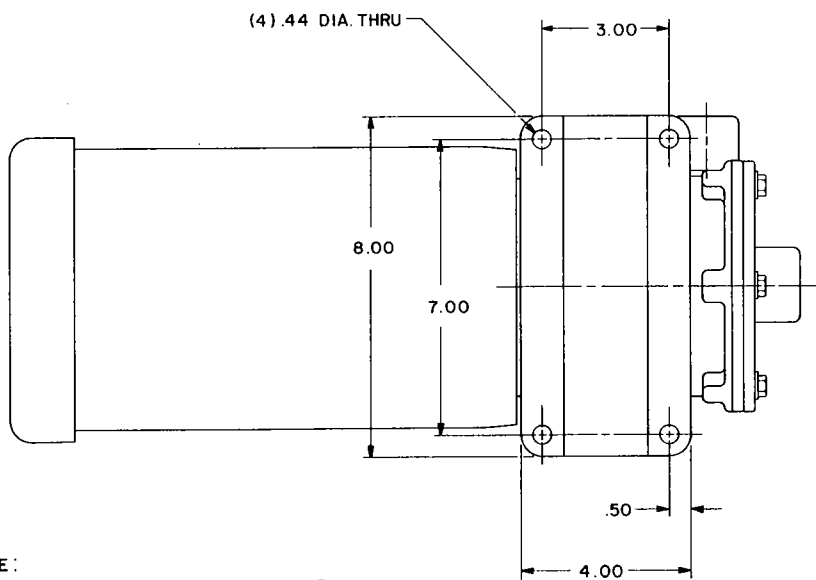
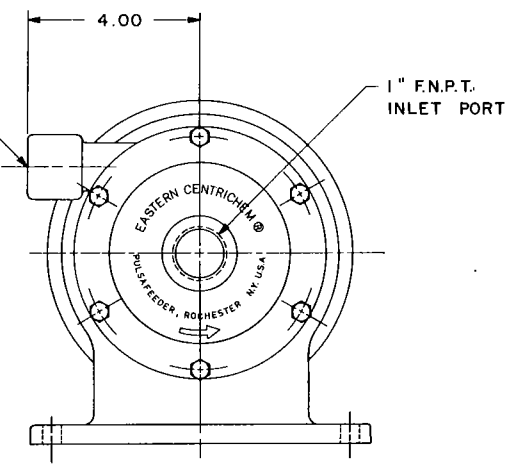
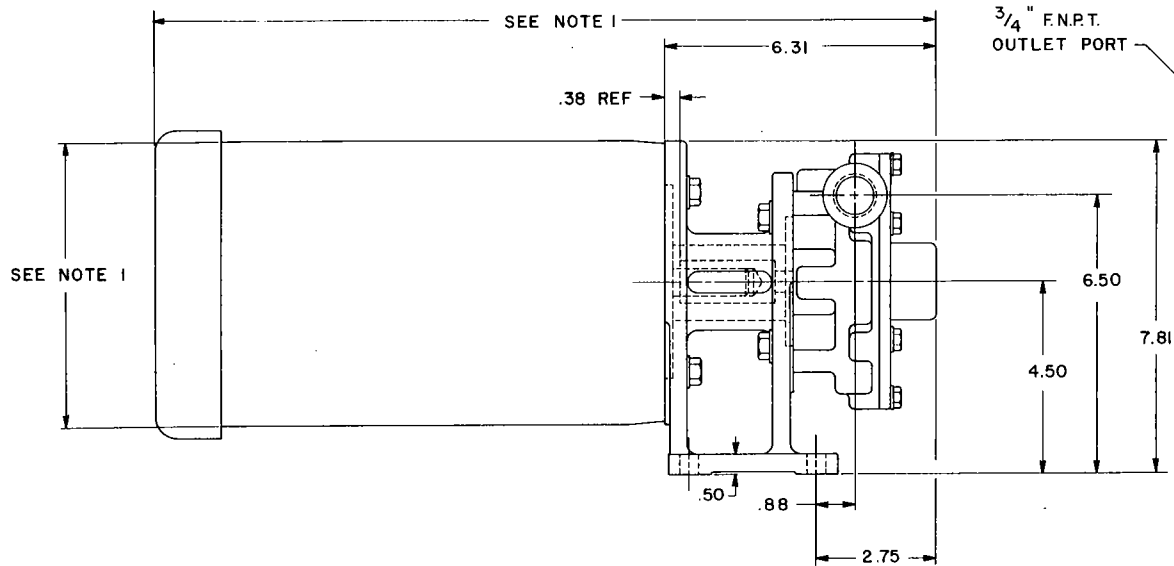
SECTION / PAGE	MODEL C / C303
EFFECTIVE	11/02/87
SUPERSEDES	NEW

ALL DIMENSIONS ARE IN INCHES	
<b>EASTERN</b>	<b>Pulsafeeder</b>
ROCHESTER, NEW YORK 14623	
CENTRICHEM® - C SERIES DOUBLE SEAL WITH POWER FRAME DIMENSIONAL DRAWING	
DWN BY: DJF	Y1016
DATE: 08/13/87	

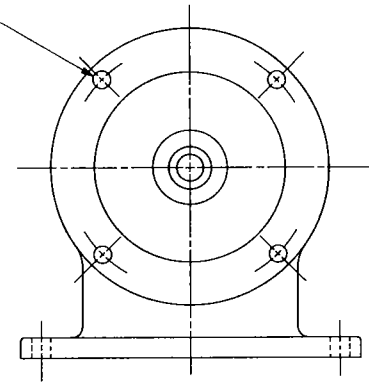
—OPTIONAL SEAL ARRANGEMENTS—



EASTERN		Pulsafeeder	
CENTRICHEM-C SERIES PUMP EXPLODED VIEW			
SECTION/PAGE	MODEL C / CS00	DATE	REV.
EFFECTIVE	01/01/88	DATE	7-30-88
SUPERSEDES	10/18/86	DATE	REV.
			PLE 008



(4) .41 DIA HOLES  
ON A 5.88 DIA. B.C.  
EQUALLY SPACED  
SEE NOTE 2

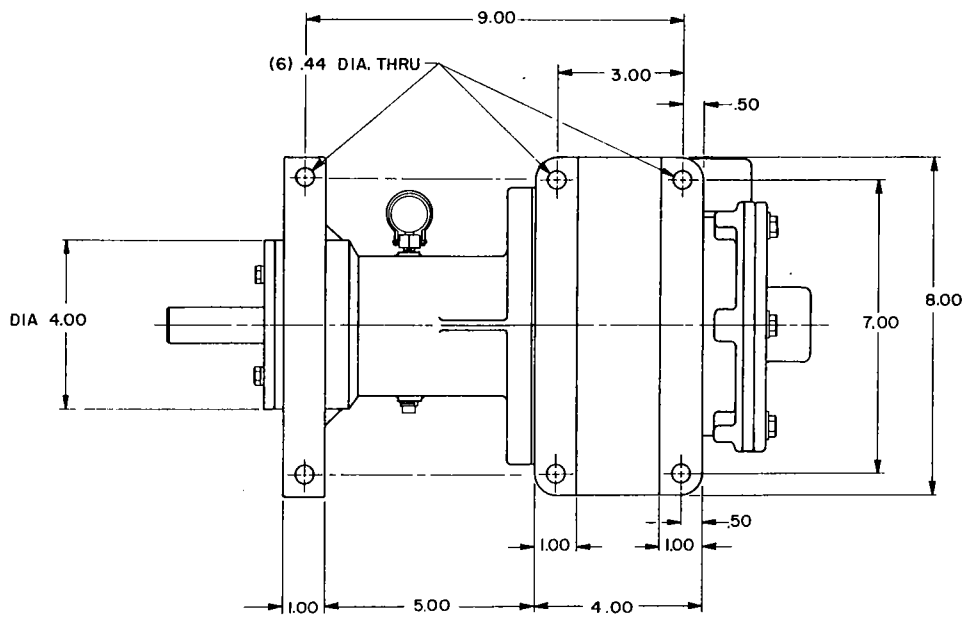
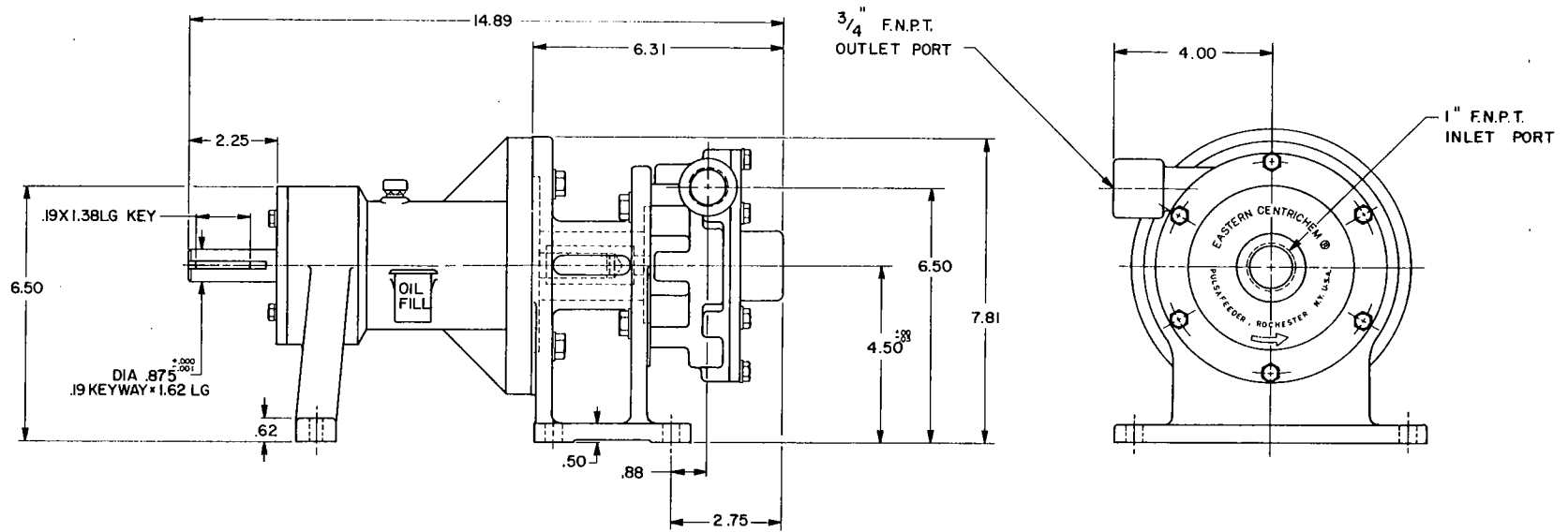


END VIEW LESS MOTOR

- NOTE:
1. MOTOR DIMENSIONS VARY BY MANUFACTURER - CONSULT MANUFACTURERS DRAWING FOR SPECIFICS.
  2. CONFORMS TO NEMA 56C FACE MOTOR MOUNTING.

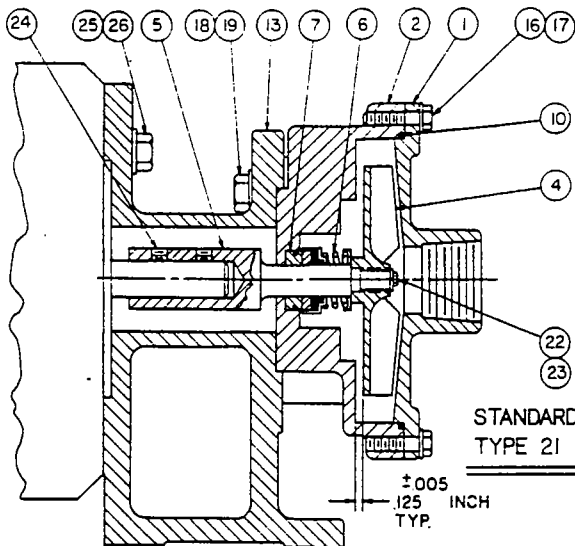
SECTION / PAGE	MODEL C / C300
EFFECTIVE	10/15/86
SUPERSEDES	NEW

ALL DIMENSIONS ARE IN INCHES	
<b>EASTERN</b>	<b>Pulsafeeder</b> ROCHESTER, NEW YORK 14623
CENTRICHEM® - C SERIES SINGLE SEAL DIMENSIONAL DRAWING	
OWN BY: MEH	Y1003
DATE: 4-9-86	



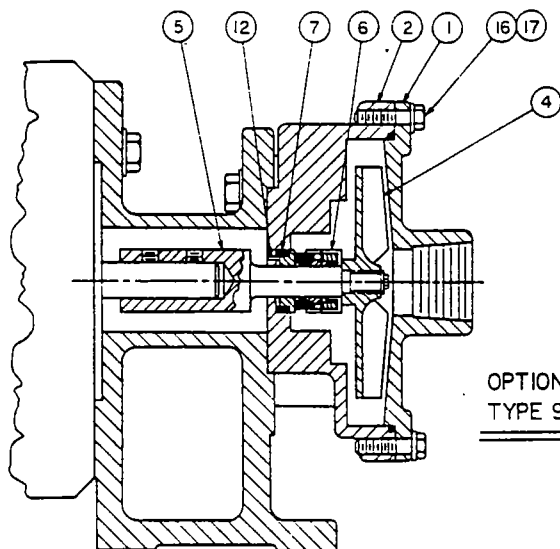
SECTION/PAGE	MODEL C/ C302
EFFECTIVE	11/02/87
SUPERSEDES	NEW

ALL DIMENSIONS ARE IN INCHES	
<b>EASTERN</b>	<b>Pulsafeeder</b>
ROCHESTER, NEW YORK 14623	
CENTRICEM® - C SERIES	
SINGLE SEAL WITH POWER FRAME	
DIMENSIONAL DRAWING	
DWN BY: DJF	Y1017
DATE: 08/13/87	



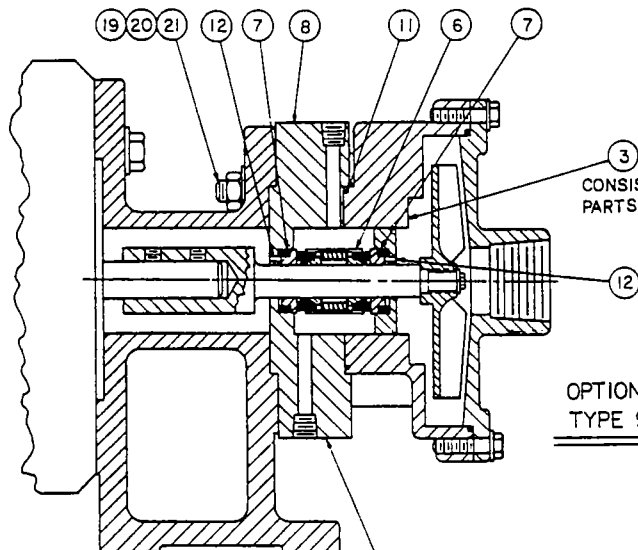
STANDARD SEAL  
TYPE 21 SINGLE

ITEM	PART NAME
1	FRONT COVER
2	REAR HOUSING
3	REAR HOUSING ASSEMBLY
4	IMPELLER
5	PUMP SHAFT
6	SEAL HEAD
7	SEAL SEAT
8	GLAND (DOUBLE SEAL)
9	INNER SEAL STOP
10	O-RING (REAR HOUSING)
11	O-RING (GLAND)
12	ROTARY SEAL PIN (INNER AND OUTER)
13	MOTOR ADAPTOR
14	NAME TAG - NOT SHOWN
15	1/8" NPT PLUG - NOT SHOWN
16	FRONT COVER BOLT
17	FRONT COVER LOCK WASHER
18	REAR HOUSING BOLT
19	REAR HOUSING LOCK WASHER
20	REAR HOUSING STUD
21	REAR HOUSING NUT
22	IMPELLER BOLT
23	IMPELLER WASHER
24	PUMP SHAFT SET SCREW
25	MOTOR ADAPTOR BOLT
26	MOTOR ADAPTOR LOCK WASHER
27	NAME TAG DRIVE SCREW - NOT SHOWN

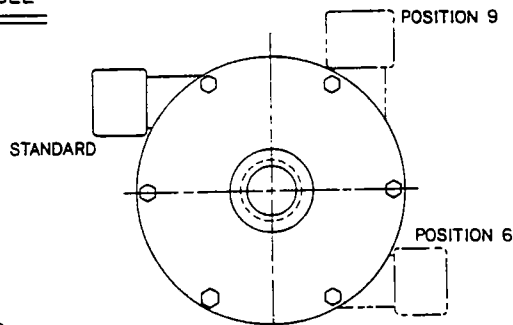


OPTIONAL SEAL  
TYPE 9 SINGLE

NOTE:  
1 REFER TO COMPOSITE BILL  
OF MATERIALS FOR PART  
NUMBERS AND QUANTITIES.



OPTIONAL SEAL  
TYPE 9 DOUBLE



AVAILABLE OUTLET POSITIONS

SHOWN OUT OF  
POSITION FOR CLARITY

SECTION/PAGE	MODEL C / C400
EFFECTIVE	01/01/93
SUPERSEDES	NEW

<b>EASTERN</b>	<b>Pulsafeeder</b> ROCHESTER, NEW YORK 14623
CENTRICHEM® - C SERIES TYPICAL PUMP ASSEMBLIES	
DOWN BY: MEH	PLE 004
DATE: 4-1-86	
DATE REV:	