

**EBARA Submersible Stainless Steel Pumps**

**DWU, DWXU – Dominator**

**Contents**

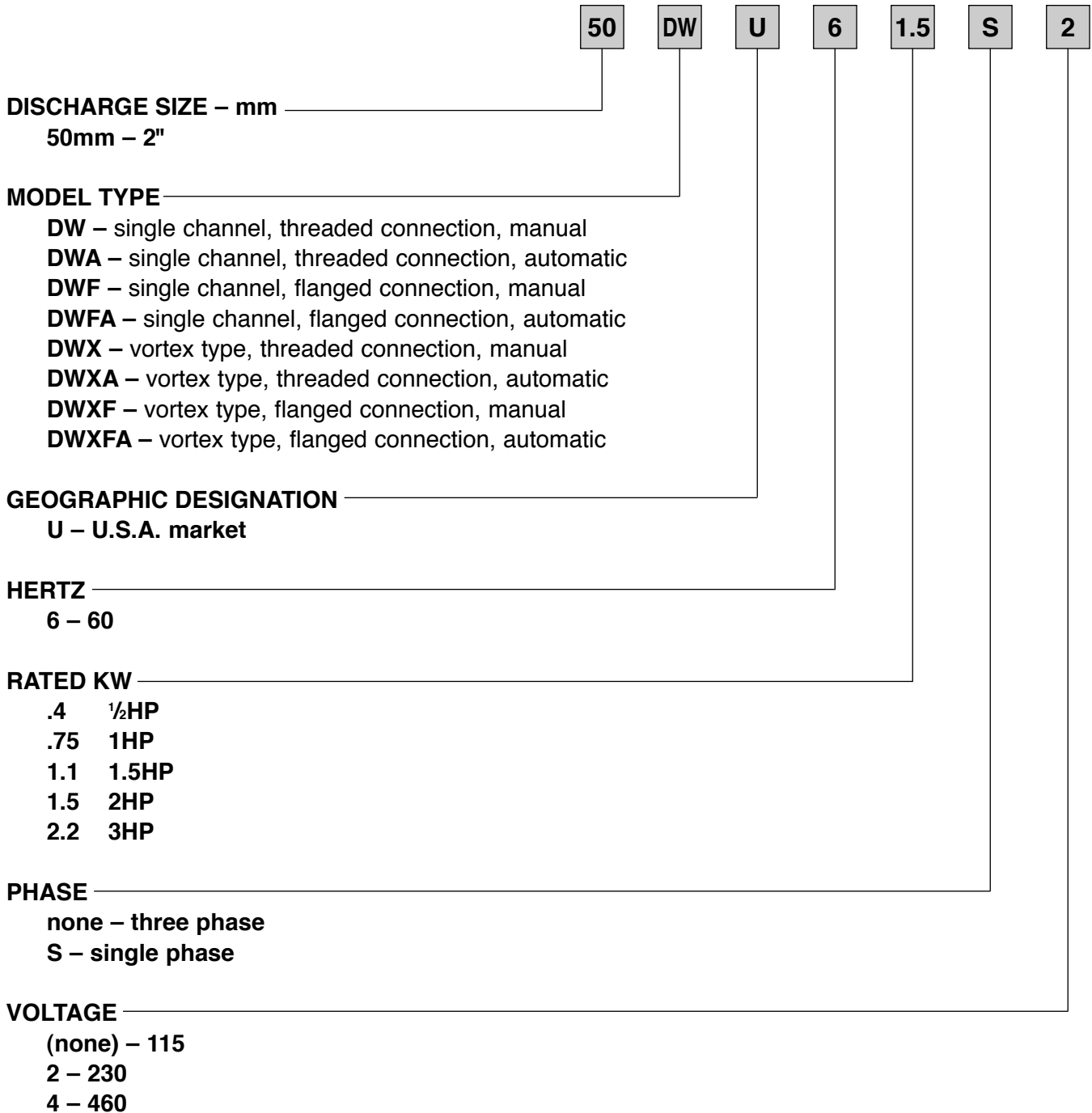
Model No.	Specifications	Selection Chart	Performance Curve	Dimensions		Sectional View
				Pump	Motor Data	
50DWU6.4S	1-129	1-130	1-132	1-138	1-148 – 1-156	1-146
50DWU6.75S						
50DWU6.4S2						
50DWU6.75S2			1-133			
50DWU61.1S2						
50DWU61.5S2						
50DWU6.4			1-132			
50DWU6.75						
50DWU61.1						
50DWU61.5			1-133			
50DWU62.2						
50DWU62.2						
50DWFU6.4S	1-129	1-130	1-132	1-139	1-148 – 1-156	1-147
50DWFU6.75S						
50DWFU6.4S2						
50DWFU6.75S2			1-133			
50DWFU61.1S2						
50DWFU61.5S2						
50DWFU6.4			1-132			
50DWFU6.75						
50DWFU61.1						
50DWFU61.5			1-133			
50DWFU62.2						
50DWFU62.2						
50DWXU6.4S	1-129	1-131	1-135	1-140	1-148 – 1-156	1-146
50DWXU6.75S						
50DWXU6.4S2						
50DWXU6.75S2			1-136			
50DWXU61.1S2						
50DWXU61.5S2						
50DWXU6.4			1-135			
50DWXU6.75						
50DWXU61.1						
50DWXU61.5			1-136			
50DWXU62.2						
50DWXU62.2						
50DWXFU6.4S	1-129	1-131	1-135	1-141	1-148 – 1-156	1-147
50DWXFU6.75S						
50DWXFU6.4S2						
50DWXFU6.75S2			1-136			
50DWXFU61.1S2						
50DWXFU61.5S2						
50DWXFU6.4			1-135			
50DWXFU6.75						
50DWXFU61.1						
50DWXFU61.5			1-136			
50DWXFU62.2						
50DWXFU62.2						

**Contents** (continued)

Model No.	Specifications	Selection Chart	Performance Curve	Dimensions		Sectional View
				Pump	Motor Data	
50DWAU6.4S	1-129	1-130	1-132	1-142	1-148 – 1-156	1-146
50DWAU6.75S						
50DWAU6.4S2						
50DWAU6.75S2						
50DWAU61.1S2			1-133			
50DWFAU6.4S	1-129	1-130	1-132	1-143	1-148 – 1-156	1-147
50DWFAU6.75S						
50DWFAU6.4S2						
50DWFAU6.75S2						
50DWFAU61.1S2			1-133			
50DWXAU6.4S	1-129	1-131	1-135	1-142	1-148 – 1-156	1-146
50DWXAU6.75S						
50DWXAU6.4S2						
50DWXAU6.75S2						
50DWXAU61.1S2			1-136			
50DWXFAU6.4S	1-128	1-131	1-135	1-143	1-148 – 1-156	1-147
50DWXFAU6.75S						
50DWXFAU6.4S2						
50DWXFAU6.75S2						
50DWXFAU61.1S2			1-136			
Quick Discharge Connector System		1-143 1-145				
Mechanical Seal Sectional View		1-157				
Cable Entry System Detail		1-158				
Mechanical Seal and Ball Bearing Data		1-159				
Capacitor Data		1-159				
Submergence Chart		1-160				



**Model Designation**



**\*Note:** The Model DW(A)(F)U, DWX(A)(F)U is listed by the Canadian Standards Association (CSA) as certified (3HP excluded).

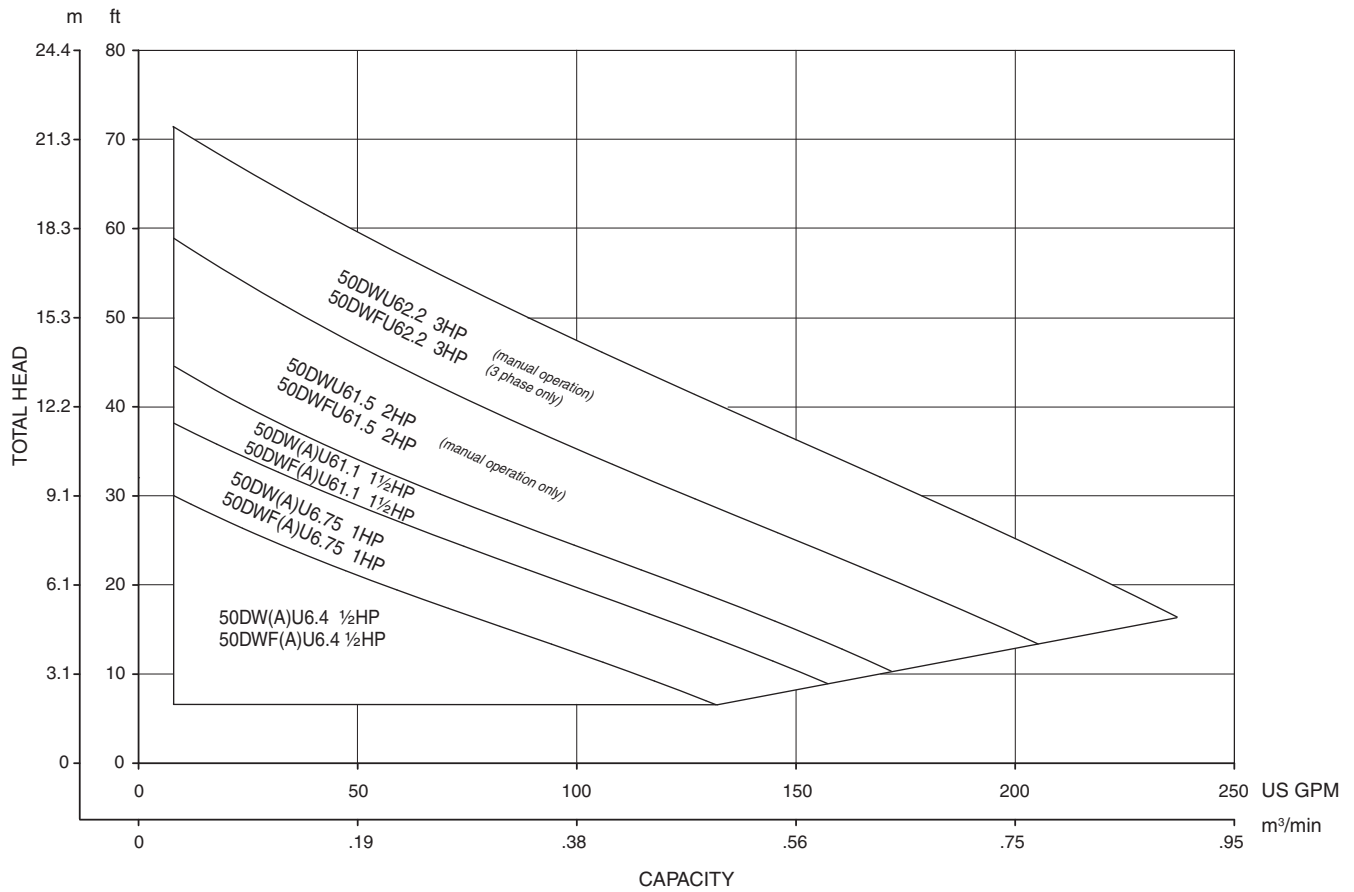
**Specifications**

	<b>Manual</b>	<b>Automatic</b>
Discharge Size/Connection	2" NPT or 2" ANSI Flanged	
Range of HP	1/2 HP to 3 HP	1/2 HP to 1 1/2 HP
Range of Performance	Capacity 8 to 235 GPM Head 8 to 74 feet	Capacity 8 to 180 GPM Head 8 to 54 feet
<b>Limitation</b> Maximum Water Temperature	104°F (40°C)	
<b>Synchronous Speed</b>	3600 RPM	
<b>Materials</b> Casing Impeller Shaft Motor Frame Fastener	304L Stainless Steel 304L Stainless Steel 304L Stainless Steel 304L Stainless Steel 304L Stainless Steel	
<b>Mechanical Seal</b> Material – Upper Side Material – Lower Side Impeller Type Bearing Motor Single Phase Three Phase Motor Protection	Double Mechanical Seal Carbon/Ceramic/NBR Silicon Carbide/Silicon Carbide/FPM Single Channel/Vortex Sealed Ball Bearing Air-filled, Insulation Class F 115 V (1/2, 1HP), 230V 230V, 460V Built-in Overload Protection (Single phase models) Submersible Cable 25 ft. <i>Consult factory for additional cable lengths.</i>	
Accessories	QDC System	
<p><b>*Note:</b> 2HP, 1-phase and 3HP, 3-phase units have a cast iron intermediate bracket. The Model DW(A)(F)U, DWX(A)(F)U is listed by the Canadian Standards Association (CSA) as certified (3HP excluded).</p>		

Selection Chart

Model DW(A)U  
DWF(A)U

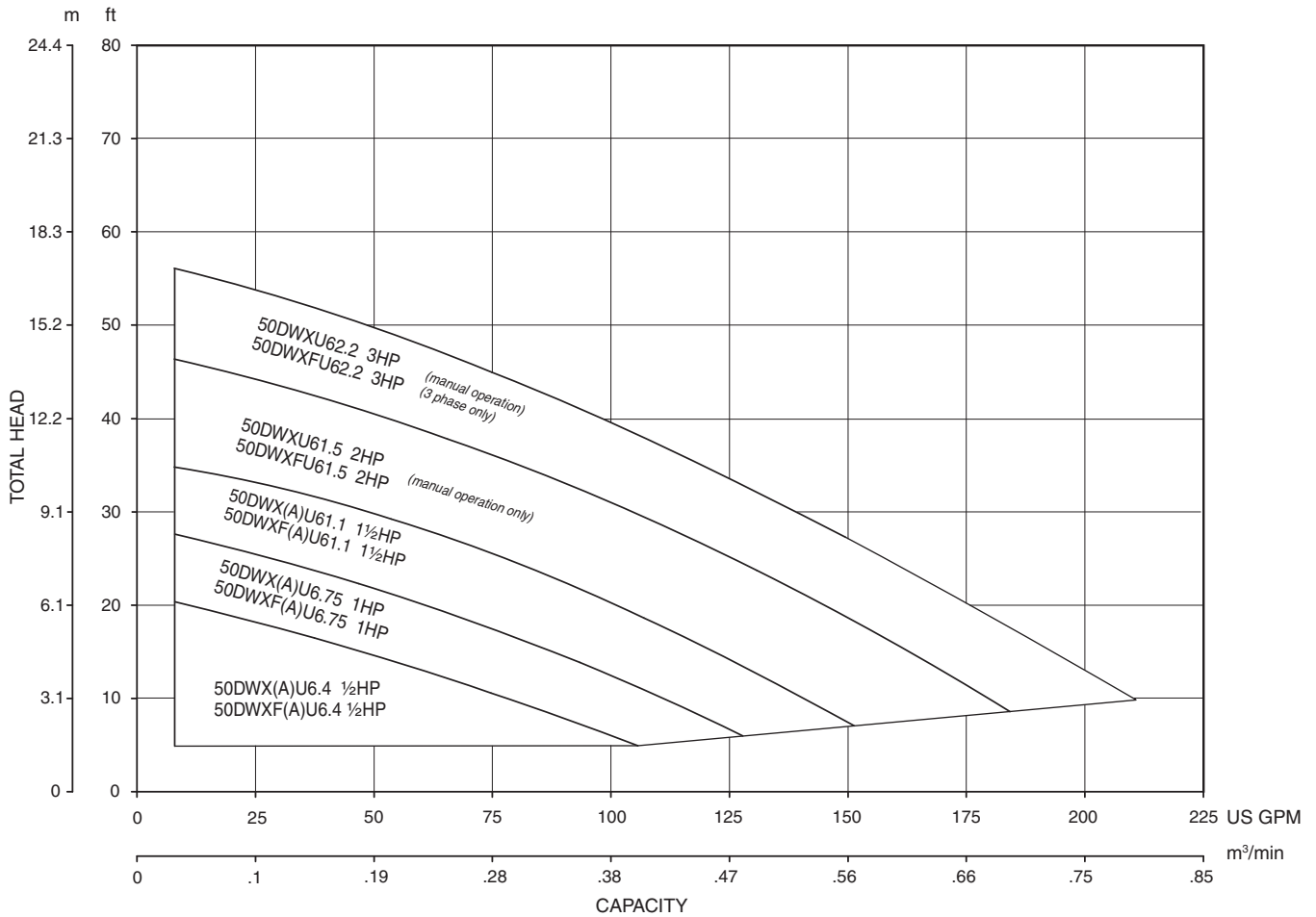
Single Channel Impeller



Selection Chart

Model DWX(A)U  
DWXF(A)U

Vortex Impeller

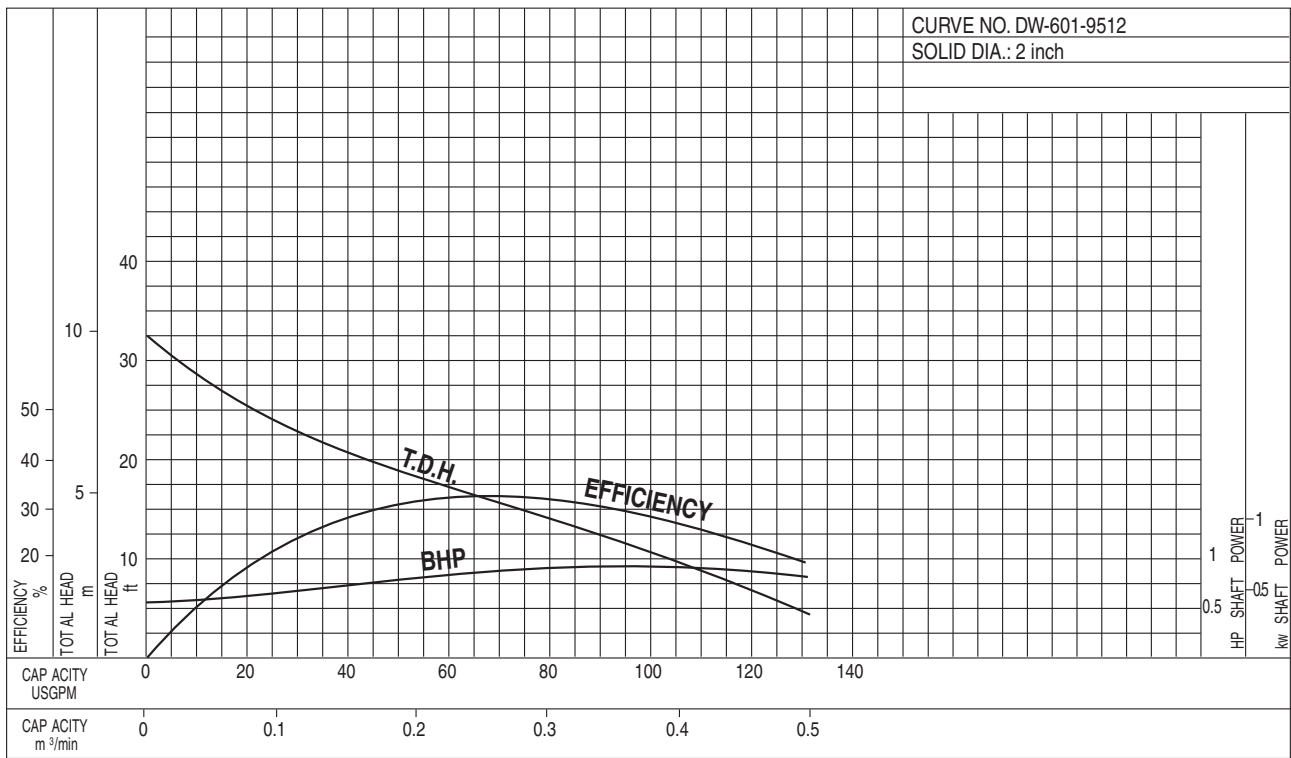


**Performance Curves**

Project: \_\_\_\_\_ GPM: \_\_\_\_\_ TDH: \_\_\_\_\_ EFF: \_\_\_\_\_ HP: \_\_\_\_\_ Chk'd: \_\_\_\_\_ Date: \_\_\_\_\_

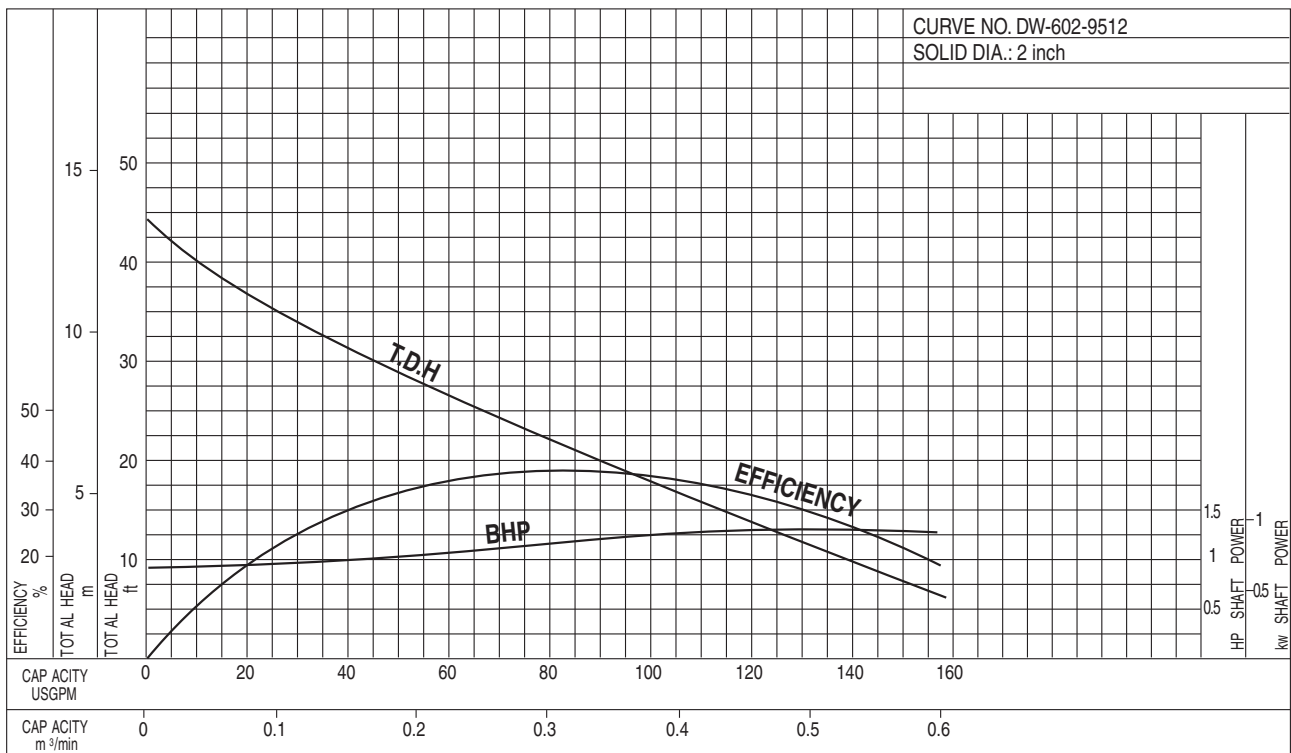
**50DW6.4 (1/2HP) Synchronous Speed: 3600 RPM**

**2 inch Discharge**



**50DW6.75 (1HP) Synchronous Speed: 3600 RPM**

**2 inch Discharge**

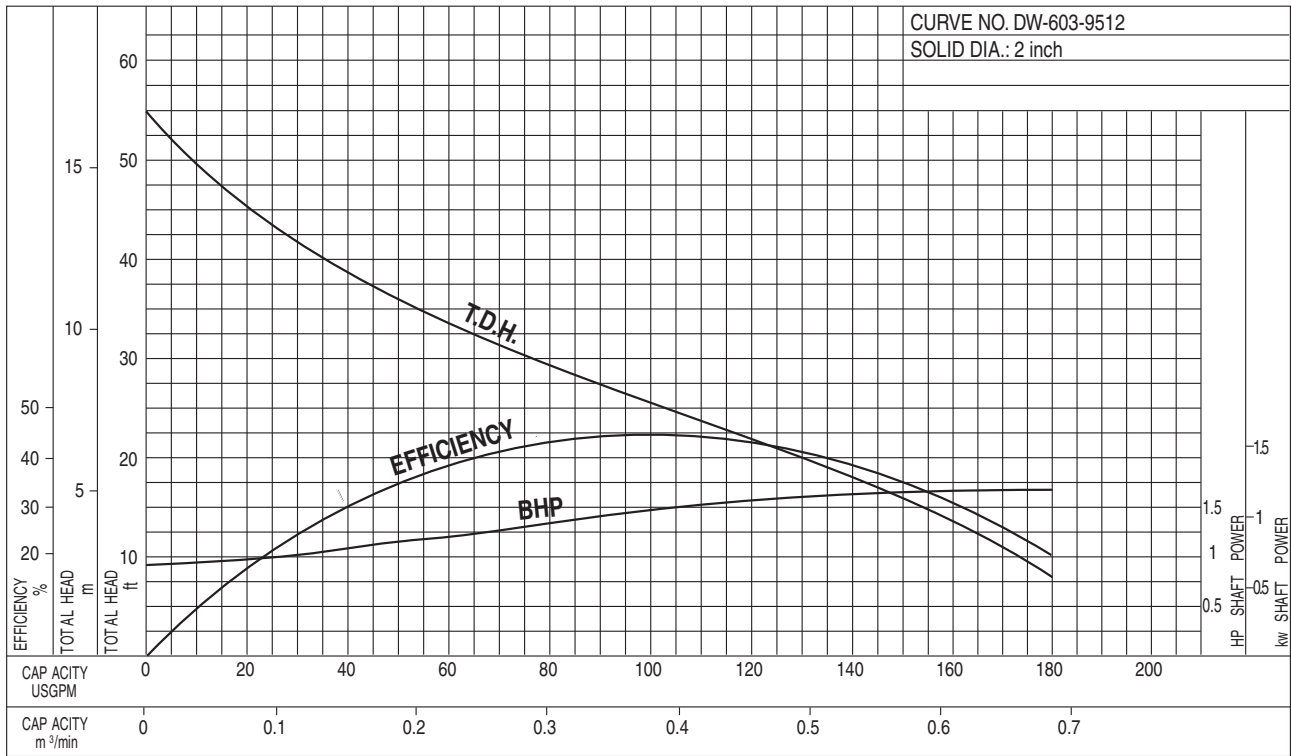


**Performance Curves**

Project: \_\_\_\_\_ GPM: \_\_\_\_\_ TDH: \_\_\_\_\_ EFF: \_\_\_\_\_ HP: \_\_\_\_\_ Chk'd: \_\_\_\_\_ Date: \_\_\_\_\_

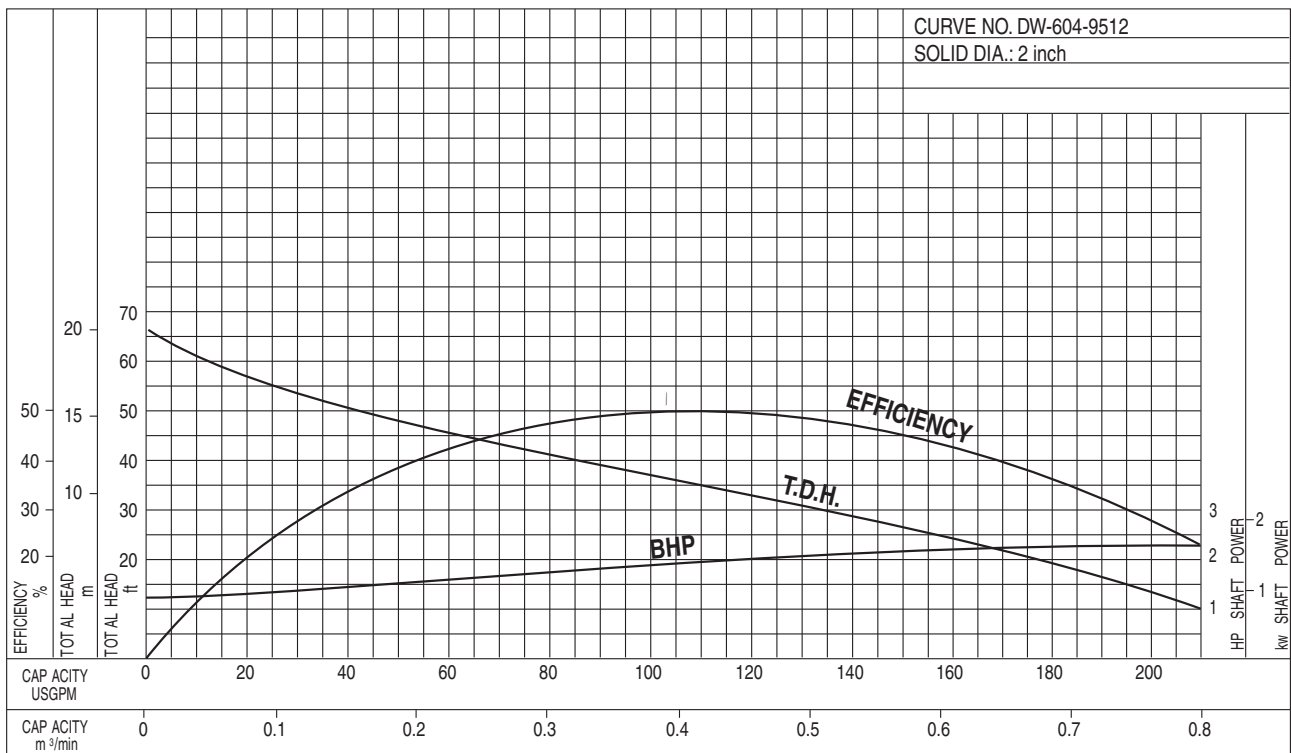
**50DW61.1 (1½HP) Synchronous Speed: 3600 RPM**

**2 inch Discharge**



**50DW61.5 (2HP) Synchronous Speed: 3600 RPM**

**2 inch Discharge**





**Performance Curves**

Project:

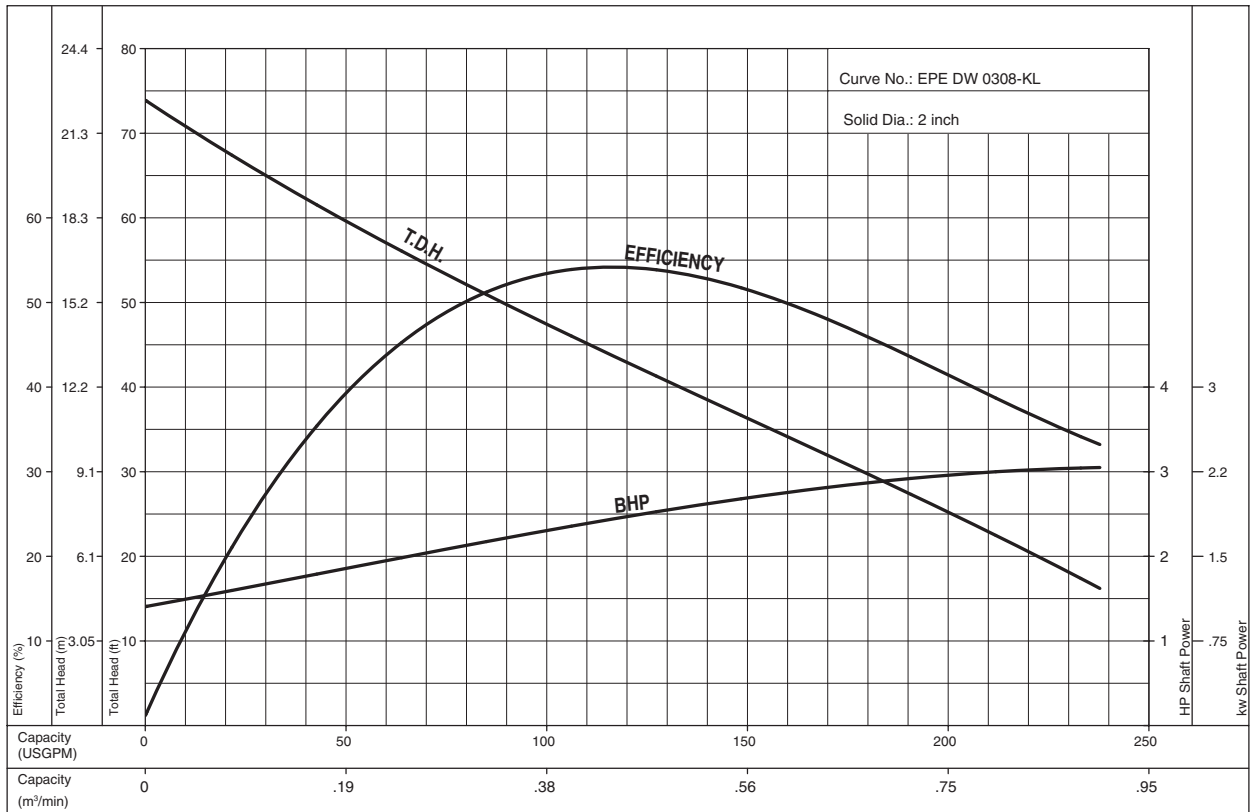
Model:

Chk'd:

Date:

**50DW62.2 (3HP) Synchronous Speed: 3600 RPM**

**2 inch Discharge**

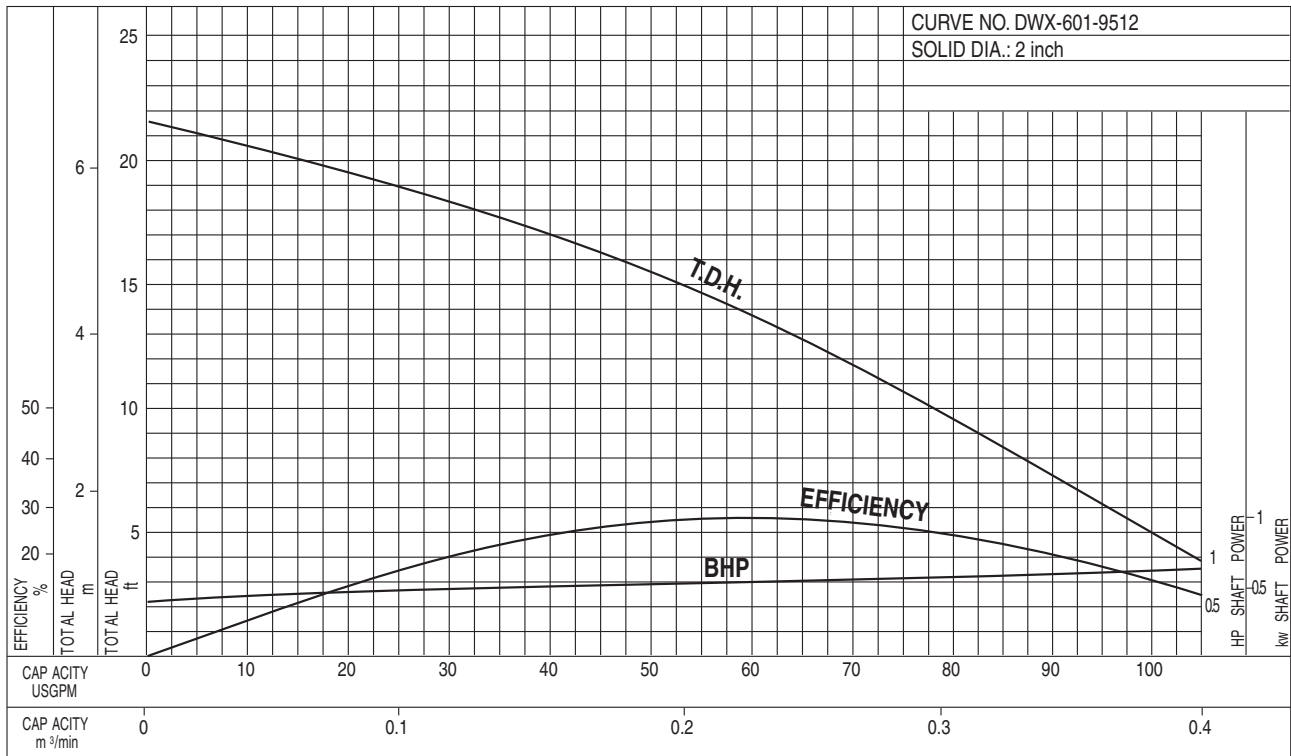


**Performance Curves**

Project: \_\_\_\_\_ GPM: \_\_\_\_\_ TDH: \_\_\_\_\_ EFF: \_\_\_\_\_ HP: \_\_\_\_\_ Chk'd: \_\_\_\_\_ Date: \_\_\_\_\_

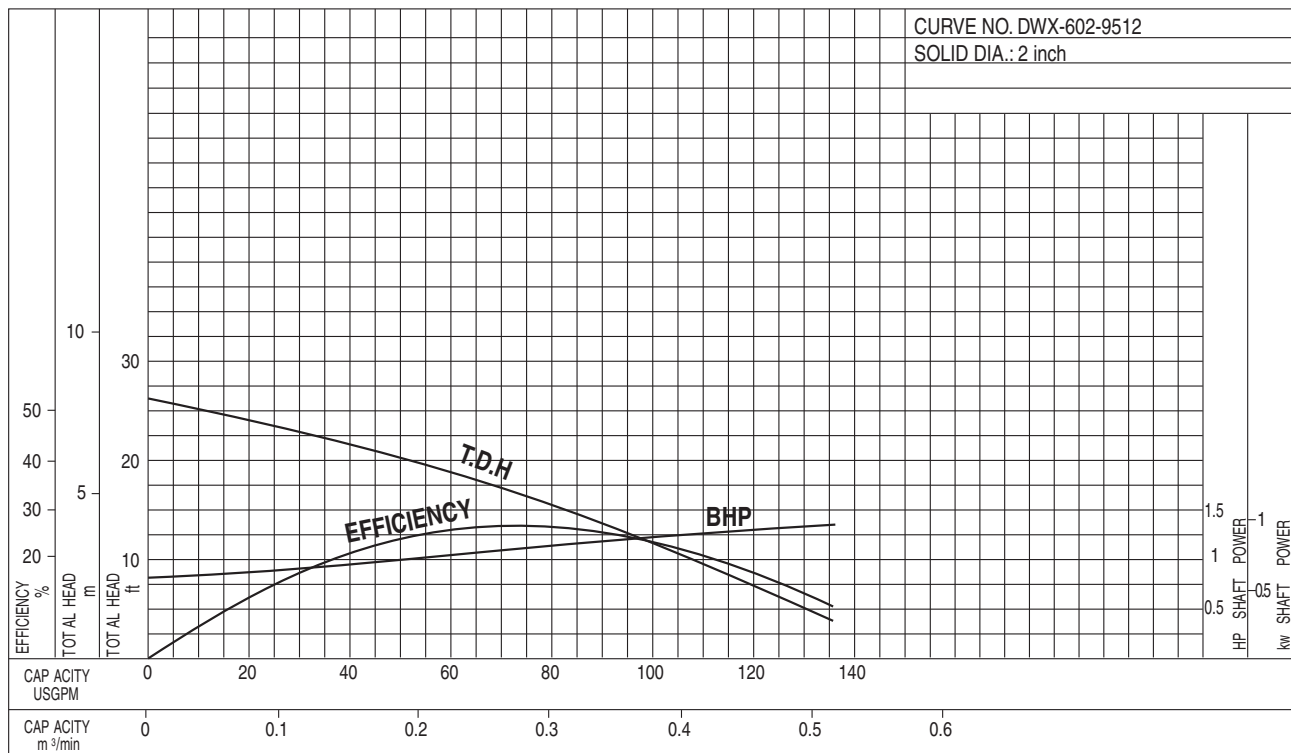
**50DWX6.4 (1/2HP) Synchronous Speed: 3600 RPM**

**2 inch Discharge**



**50DWX6.75 (1HP) Synchronous Speed: 3600 RPM**

**2 inch Discharge**

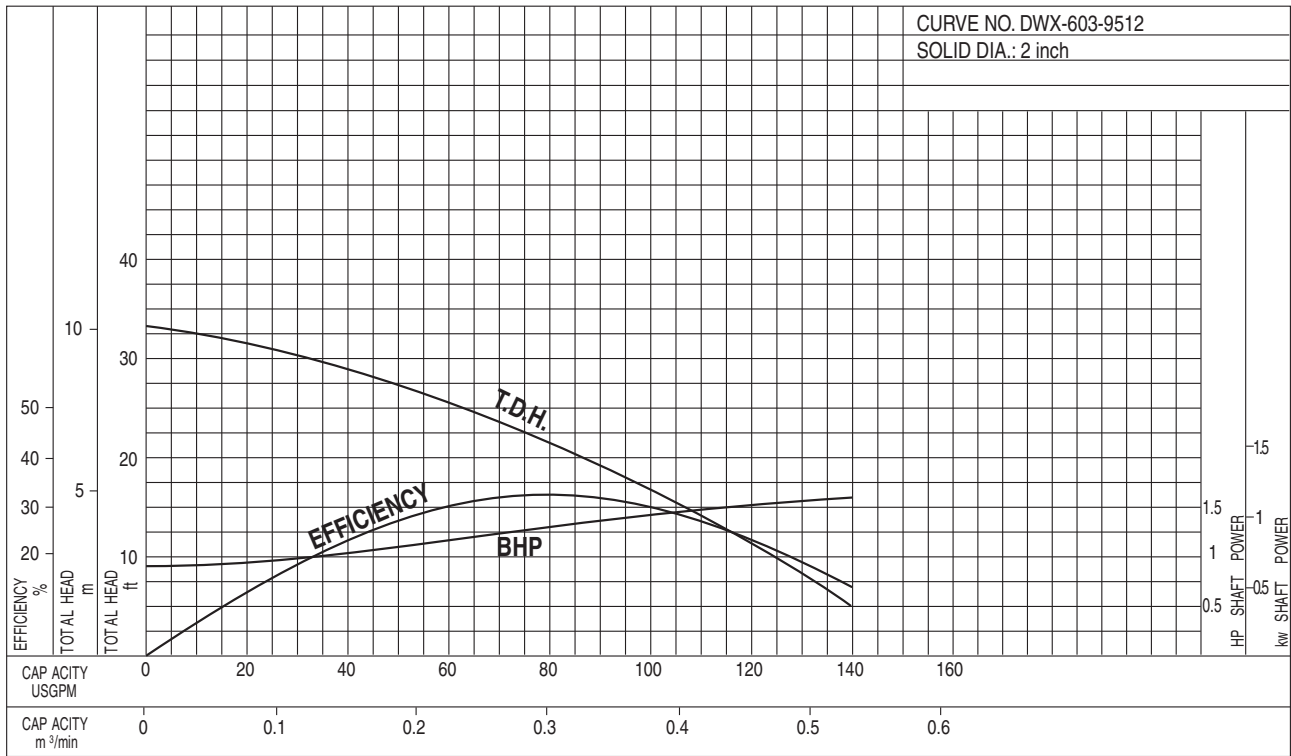


**Performance Curves**

Project: \_\_\_\_\_ GPM: \_\_\_\_\_ TDH: \_\_\_\_\_ EFF: \_\_\_\_\_ HP: \_\_\_\_\_ Chk'd: \_\_\_\_\_ Date: \_\_\_\_\_

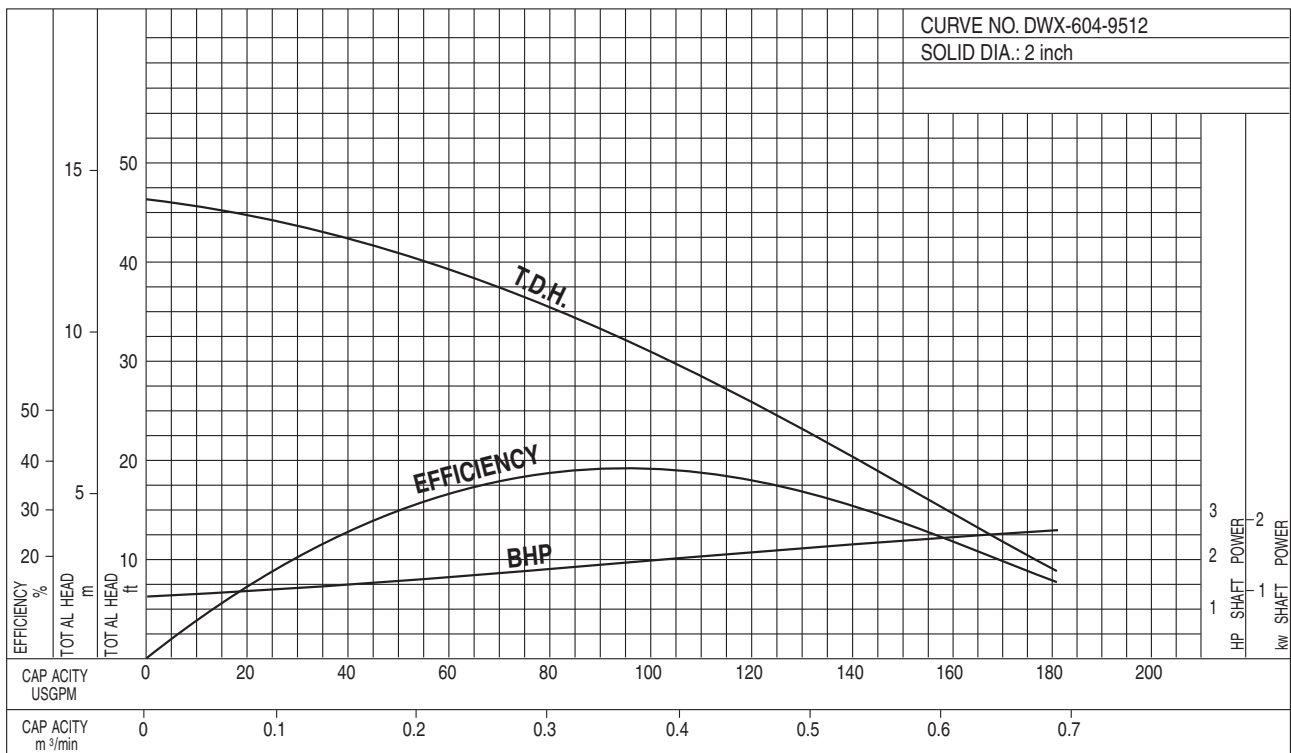
**50DWX61.1 (1½HP) Synchronous Speed: 3600 RPM**

**2 inch Discharge**



**50DWX61.5 (2HP) Synchronous Speed: 3600 RPM**

**2 inch Discharge**

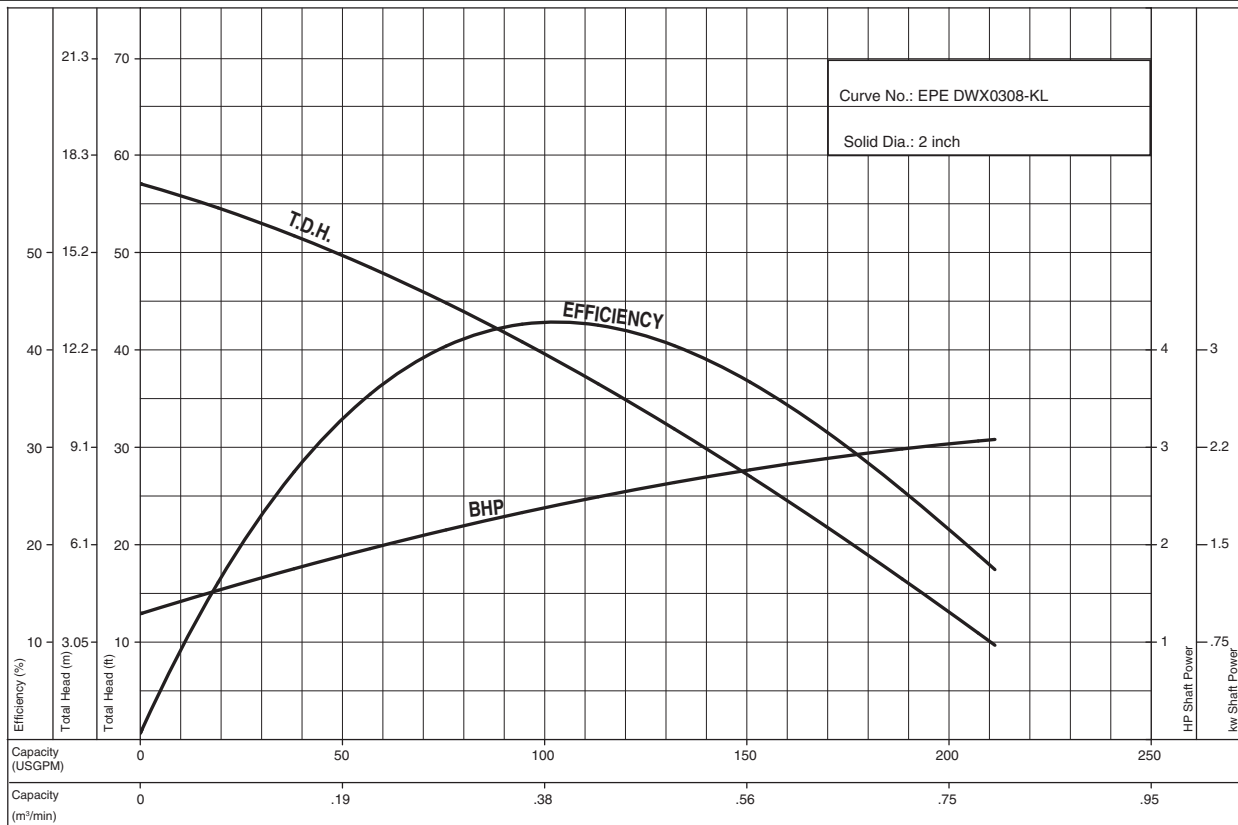


**Performance Curves**

Project: \_\_\_\_\_ Model: \_\_\_\_\_ Chk'd: \_\_\_\_\_ Date: \_\_\_\_\_

**50DWX62.2 (3HP) Synchronous Speed: 3600 RPM**

**2 inch Discharge**

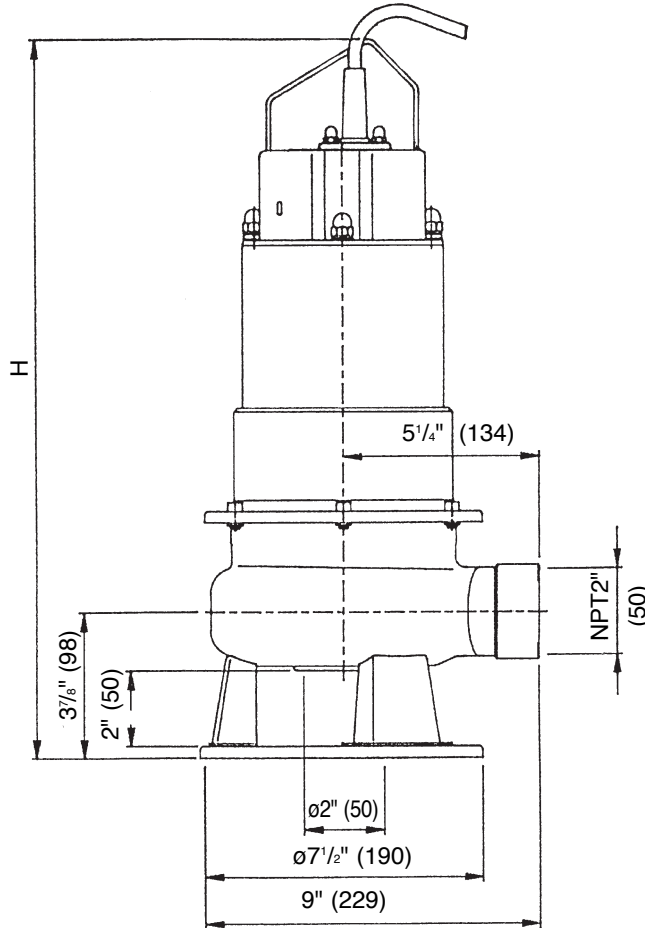


**Dimensions**

Project: \_\_\_\_\_ Model: \_\_\_\_\_ Chk'd: \_\_\_\_\_ Date: \_\_\_\_\_

**Model DWU**  
Manual Operation Pumps

Unit: inch (mm)



*Note: Three phase motors are equipped with a Power Cable and a Thermal Protection Cable*

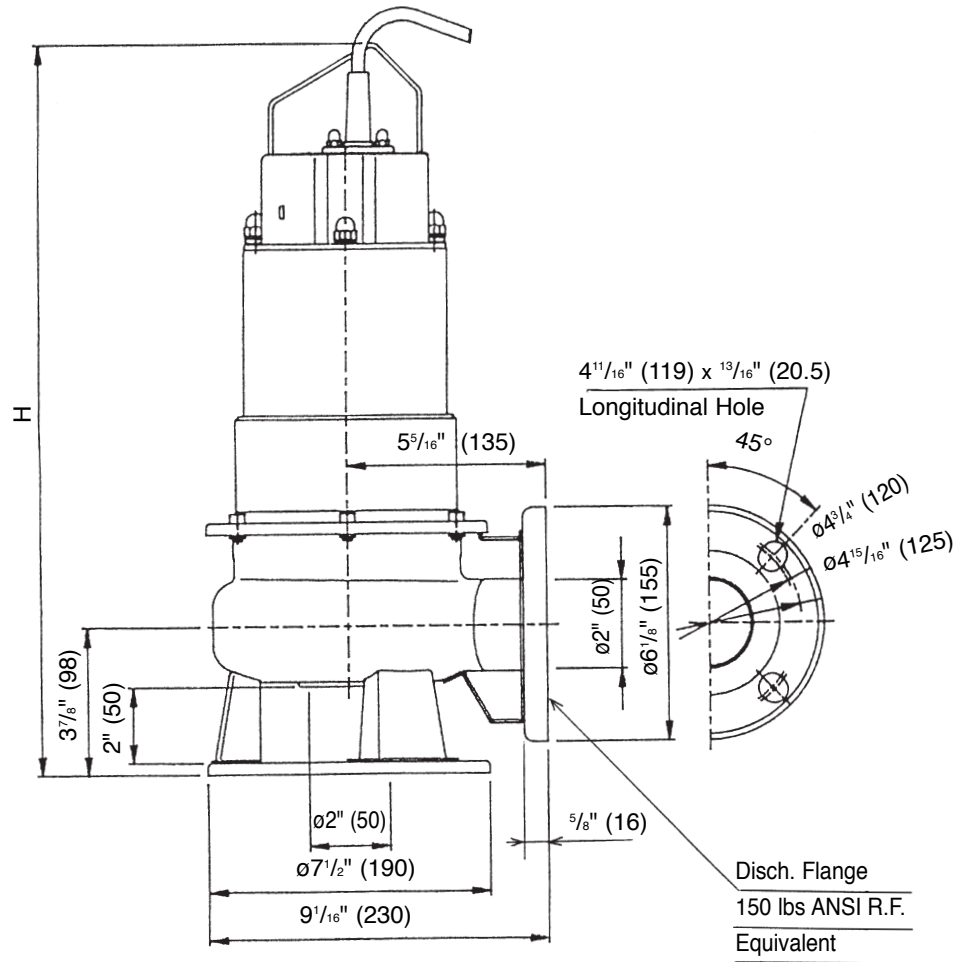
Phase	Size ø	Model	Output		Pump	Weight Lbs (kg)
			kw	HP	H	
Single	2" (50mm)	50DWU6.4S	0.4	1/2	21 <sup>5</sup> / <sub>8</sub> (550)	35 (16)
		50DWU6.75S	0.75	1	22 <sup>13</sup> / <sub>16</sub> (580)	40 (18)
		50DWU6.4S2	0.4	1/2	19 <sup>1</sup> / <sub>8</sub> (485)	35 (16)
		50DWU6.75S2	0.75	1	20 <sup>1</sup> / <sub>4</sub> (515)	40 (18)
		50DWU61.1S2	1.1	1 1/2	20 <sup>1</sup> / <sub>4</sub> (515)	44 (20)
		50DWU61.5S2	1.5	2	24 (610)	51 (23)
Three	2" (50mm)	50DWU6.4	0.4	1/2	19 <sup>1</sup> / <sub>8</sub> (485)	33 (15)
		50DWU6.75	0.75	1	19 <sup>1</sup> / <sub>8</sub> (485)	35 (16)
		50DWU61.1	1.1	1 1/2	20 <sup>1</sup> / <sub>4</sub> (515)	40 (18)
		50DWU61.5	1.5	2	20 <sup>1</sup> / <sub>4</sub> (515)	44 (20)
		50DWU62.2	2.2	3	21 <sup>7</sup> / <sub>16</sub> (545)	55 (25)

**Dimensions**

Project: \_\_\_\_\_ Model: \_\_\_\_\_ Chk'd: \_\_\_\_\_ Date: \_\_\_\_\_

**Model DWFU**  
Manual Operation Pumps

Unit: inch (mm)



*Note: Three phase motors are equipped with a Power Cable and a Thermal Protection Cable*

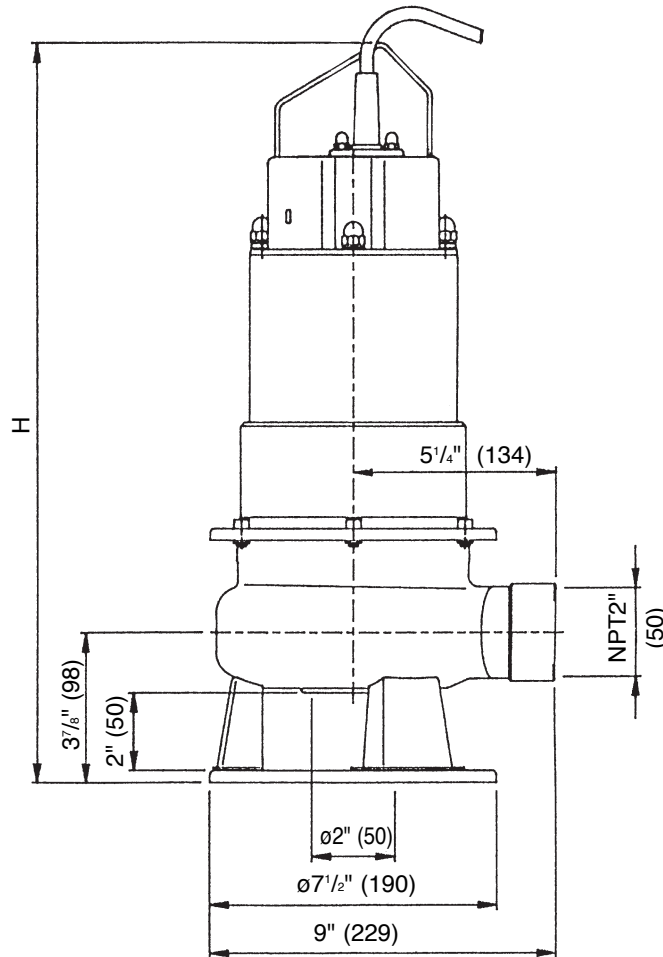
Phase	Size ø	Model	Output		Pump	Weight Lbs (kg)
			kw	HP	H	
Single	2" (50mm)	50DWFU6.4S	0.4	1/2	21 <sup>5</sup> / <sub>8</sub> (550)	37 (17)
		50DWFU6.75S	0.75	1	22 <sup>13</sup> / <sub>16</sub> (580)	42 (19)
		50DWFU6.4S2	0.4	1/2	19 <sup>1</sup> / <sub>8</sub> (485)	37 (17)
		50DWFU6.75S2	0.75	1	20 <sup>1</sup> / <sub>4</sub> (515)	42 (19)
		50DWFU61.1S2	1.1	1 1/2	20 <sup>1</sup> / <sub>4</sub> (515)	46 (21)
		50DWFU61.5S2	1.5	2	24 (610)	53 (24)
Three	2" (50mm)	50DWFU6.4	0.4	1/2	19 <sup>1</sup> / <sub>8</sub> (485)	35 (16)
		50DWFU6.75	0.75	1	19 <sup>1</sup> / <sub>8</sub> (485)	37 (17)
		50DWFU61.1	1.1	1 1/2	20 <sup>1</sup> / <sub>4</sub> (515)	42 (19)
		50DWFU61.5	1.5	2	20 <sup>1</sup> / <sub>4</sub> (515)	46 (21)
		50DWFU62.2	2.2	3	21 <sup>7</sup> / <sub>16</sub> (545)	57 (26)

**Dimensions**

Project: \_\_\_\_\_ Model: \_\_\_\_\_ Chk'd: \_\_\_\_\_ Date: \_\_\_\_\_

**Model DWXU**  
Manual Operation Pumps

Unit: inch (mm)



*Note: Three phase motors are equipped with a Power Cable and a Thermal Protection Cable*

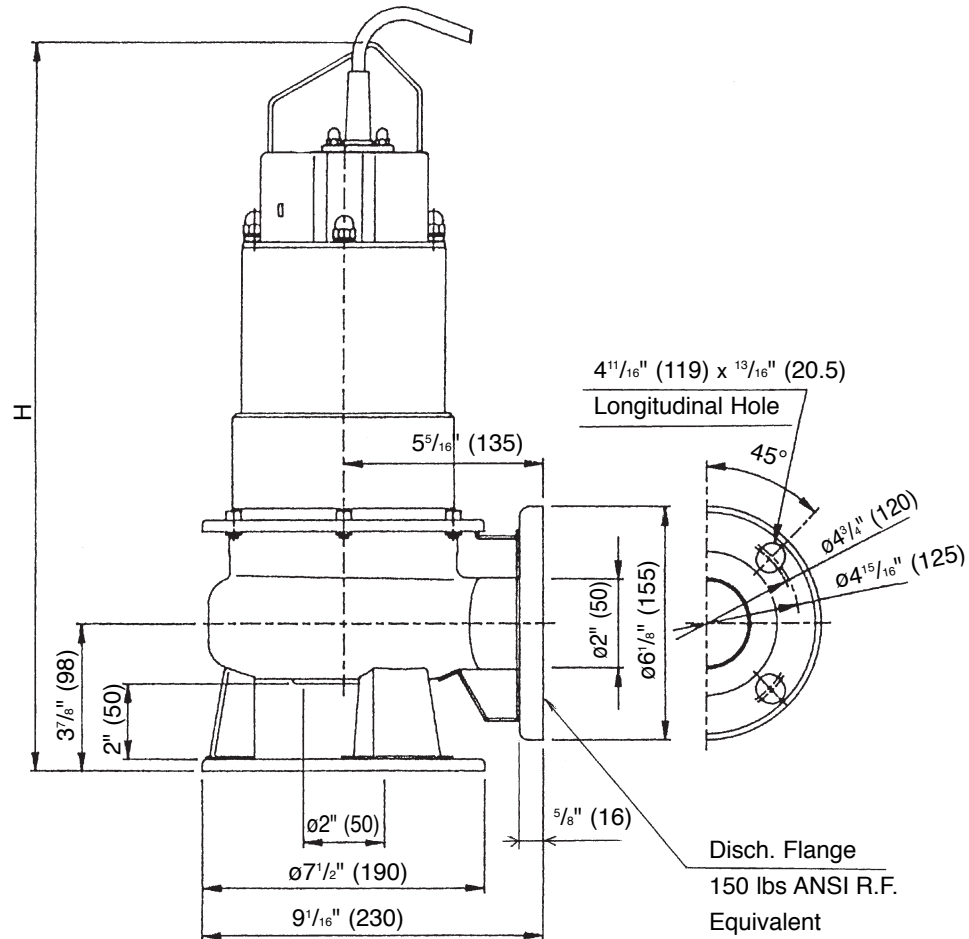
Phase	Size ø	Model	Output		Pump	Weight Lbs (kg)
			kw	HP	H	
Single	2" (50mm)	50DWXU6.4S	0.4	1/2	21 <sup>5</sup> / <sub>8</sub> (550)	35 (16)
		50DWXU6.75S	0.75	1	22 <sup>13</sup> / <sub>16</sub> (580)	40 (18)
		50DWXU6.4S2	0.4	1/2	19 <sup>1</sup> / <sub>8</sub> (485)	35 (16)
		50DWXU6.75S2	0.75	1	20 <sup>1</sup> / <sub>4</sub> (515)	40 (18)
		50DWXU61.1S2	1.1	1 1/2	20 <sup>1</sup> / <sub>4</sub> (515)	44 (20)
		50DWXU61.5S2	1.5	2	24 (610)	51 (23)
Three	2" (50mm)	50DWXU6.4	0.4	1/2	19 <sup>1</sup> / <sub>8</sub> (485)	33 (15)
		50DWXU6.75	0.75	1	19 <sup>1</sup> / <sub>8</sub> (485)	35 (16)
		50DWXU61.1	1.1	1 1/2	20 <sup>1</sup> / <sub>4</sub> (515)	40 (18)
		50DWXU61.5	1.5	2	20 <sup>1</sup> / <sub>4</sub> (515)	44 (20)
		50DWXU62.2	2.2	3	21 <sup>7</sup> / <sub>16</sub> (545)	55 (25)

**Dimensions**

Project: \_\_\_\_\_ Model: \_\_\_\_\_ Chk'd: \_\_\_\_\_ Date: \_\_\_\_\_

**Model DWXFU**  
Manual Operation Pumps

Unit: inch (mm)



Note: Three phase motors are equipped with a Power Cable and a Thermal Protection Cable

Phase	Size $\phi$	Model	Output		Pump	Weight Lbs (kg)
			kw	HP	H	
Single	2" (50mm)	50DWXFU6.4S	0.4	$\frac{1}{2}$	$21\frac{5}{8}'' (550)$	37 (17)
		50DWXFU6.75S	0.75	1	$22\frac{13}{16}'' (580)$	42 (19)
		50DWXFU6.4S2	0.4	$\frac{1}{2}$	$19\frac{1}{8}'' (485)$	37 (17)
		50DWXFU6.75S2	0.75	1	$20\frac{1}{4}'' (515)$	42 (19)
		50DWXFU61.1S2	1.1	$1\frac{1}{2}$	$20\frac{1}{4}'' (515)$	46 (21)
		50DWXFU61.5S2	1.5	2	24 (610)	53 (24)
Three	2" (50mm)	50DWXFU6.4	0.4	$\frac{1}{2}$	$19\frac{1}{8}'' (485)$	35 (16)
		50DWXFU6.75	0.75	1	$19\frac{1}{8}'' (485)$	37 (17)
		50DWXFU61.1	1.1	$1\frac{1}{2}$	$20\frac{1}{4}'' (515)$	42 (19)
		50DWXFU61.5	1.5	2	$20\frac{1}{4}'' (515)$	46 (21)
		50DWXFU62.2	2.2	3	$21\frac{7}{16}'' (545)$	57 (26)

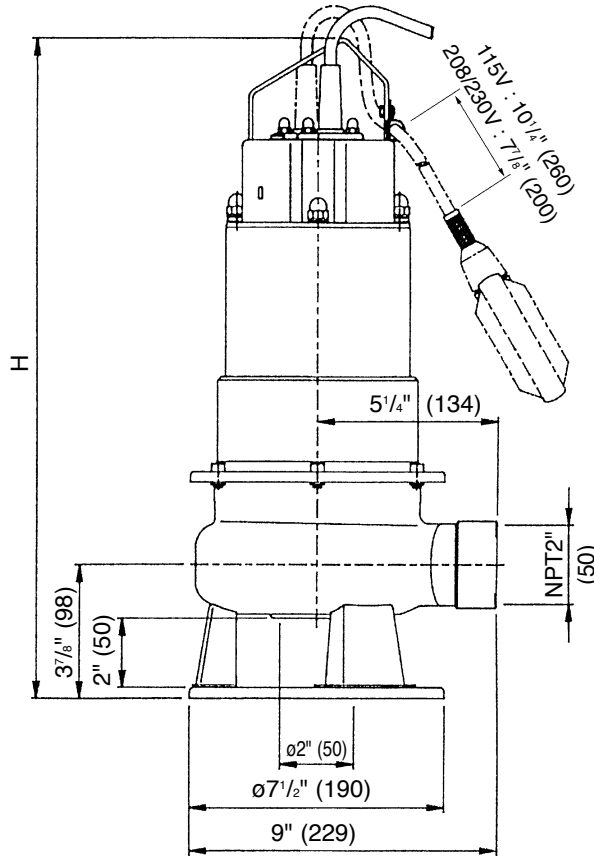


**Dimensions**

Project: \_\_\_\_\_ Model: \_\_\_\_\_ Chk'd: \_\_\_\_\_ Date: \_\_\_\_\_

**Model DWAU**  
**Model DWXAU**  
 Automatic Operation Pumps

Unit: inch (mm)



**Model DWAU**

Phase	Size ø	Model	Output		Pump	Weight Lbs (kg)
			kw	HP	H	
Single	2" (50mm)	50DWAU6.4S	0.4	1/2	21 <sup>5</sup> / <sub>8</sub> (550)	35 (16)
		50DWAU6.75S	0.75	1	22 <sup>13</sup> / <sub>16</sub> (580)	40 (18)
		50DWAU6.4S2	0.4	1/2	19 <sup>1</sup> / <sub>8</sub> (485)	35 (16)
		50DWAU6.75S2	0.75	1	20 <sup>1</sup> / <sub>4</sub> (515)	40 (18)
		50DWAU61.1S2	1.1	1 1/2	20 <sup>1</sup> / <sub>4</sub> (515)	44 (20)

**Model DWXAU**

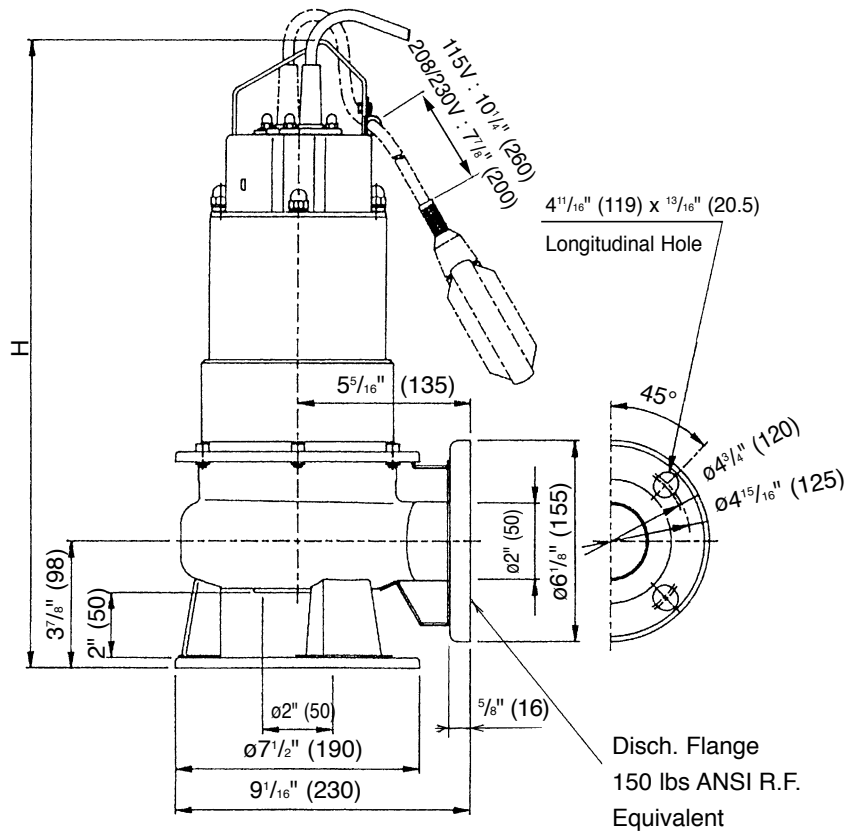
Phase	Size ø	Model	Output		Pump	Weight Lbs (kg)
			kw	HP	H	
Single	2" (50mm)	50DWXAU6.4S	0.4	1/2	21 <sup>5</sup> / <sub>8</sub> (550)	35 (16)
		50DWXAU6.75S	0.75	1	22 <sup>13</sup> / <sub>16</sub> (580)	40 (18)
		50DWXAU6.4S2	0.4	1/2	19 <sup>1</sup> / <sub>8</sub> (485)	35 (16)
		50DWXAU6.75S2	0.75	1	20 <sup>1</sup> / <sub>4</sub> (515)	40 (18)
		50DWXAU61.1S2	1.1	1 1/2	20 <sup>1</sup> / <sub>4</sub> (515)	44 (20)

**Dimensions**

Project: \_\_\_\_\_ Model: \_\_\_\_\_ Chk'd: \_\_\_\_\_ Date: \_\_\_\_\_

**Model DWFAU**  
**Model DWXFAU**  
 Automatic Operation Pumps

Unit: inch (mm)



**Model DWFAU**

Phase	Size ø	Model	Output		Pump	Weight Lbs (kg)
			kw	HP	H	
Single	2" (50mm)	50DWFAU6.4S	0.4	1/2	21 5/8 (550)	37 (17)
		50DWFAU6.75S	0.75	1	22 13/16 (580)	42 (19)
		50DWFAU6.4S2	0.4	1/2	19 1/8 (485)	37 (17)
		50DWFAU6.75S2	0.75	1	20 1/4 (515)	42 (19)
		50DWFAU61.1S2	1.1	1 1/2	20 1/4 (515)	46 (21)

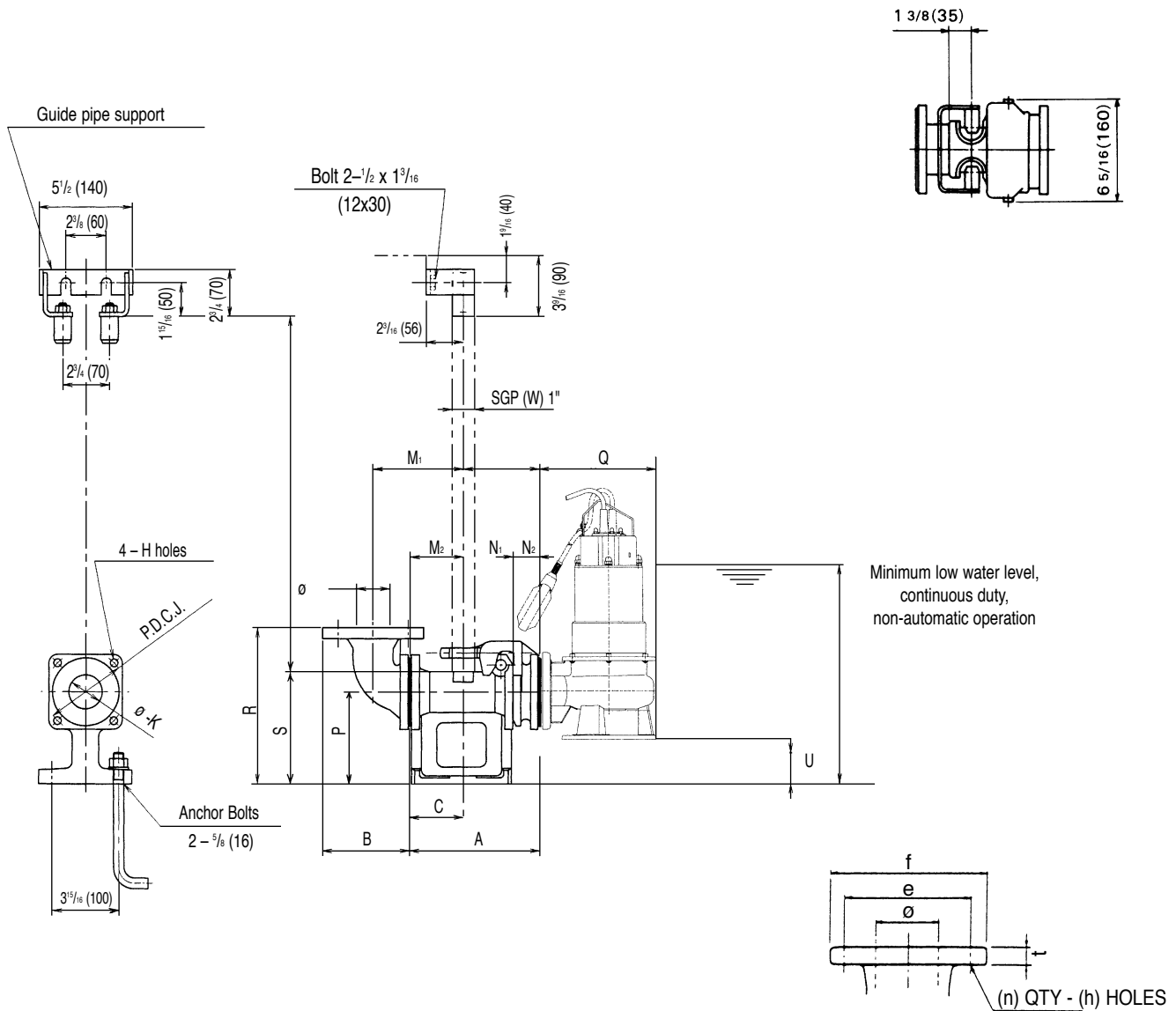
**Model DWXFAU**

Phase	Size ø	Model	Output		Pump	Weight Lbs (kg)
			kw	HP	H	
Single	2" (50mm)	50DWXFAU6.4S	0.4	1/2	21 5/8 (550)	37 (17)
		50DWXFAU6.75S	0.75	1	22 13/16 (580)	42 (19)
		50DWXFAU6.4S2	0.4	1/2	19 1/8 (485)	37 (17)
		50DWXFAU6.75S2	0.75	1	20 1/4 (515)	42 (19)
		50DWXFAU61.1S2	1.1	1 1/2	20 1/4 (515)	46 (21)

**Dimensions**

Project: \_\_\_\_\_ Model: \_\_\_\_\_ Chk'd: \_\_\_\_\_ Date: \_\_\_\_\_

**Model DWFU with Quick Discharge Connector**



**Flange (ANSI 125 PSI F.F)**

inch					
ø	e	f	t	n	h
2	4 <sup>3</sup> / <sub>4</sub>	6	5 <sup>5</sup> / <sub>8</sub>	4	3 <sup>3</sup> / <sub>4</sub>
mm					
ø	e	f	t	n	h
50	121	152	16	4	19

**Dimensions: inch**

MODEL	A	B	C	H	J	K	M <sub>1</sub>	M <sub>2</sub>	N <sub>1</sub>	N <sub>2</sub>	P	Q	R	S	U	QDC WEIGHT Lb
LM50	7 <sup>11</sup> / <sub>16</sub>	5 <sup>1</sup> / <sub>4</sub>	3 <sup>3</sup> / <sub>8</sub>	1 <sup>1</sup> / <sub>2</sub>	4 <sup>3</sup> / <sub>4</sub>	2	5 <sup>5</sup> / <sub>16</sub>	3 <sup>1</sup> / <sub>8</sub>	4 <sup>1</sup> / <sub>2</sub>	1 <sup>9</sup> / <sub>16</sub>	5 <sup>5</sup> / <sub>16</sub>	9 <sup>1</sup> / <sub>8</sub>	9 <sup>9</sup> / <sub>16</sub>	6 <sup>1</sup> / <sub>2</sub>	2 <sup>5</sup> / <sub>16</sub>	25

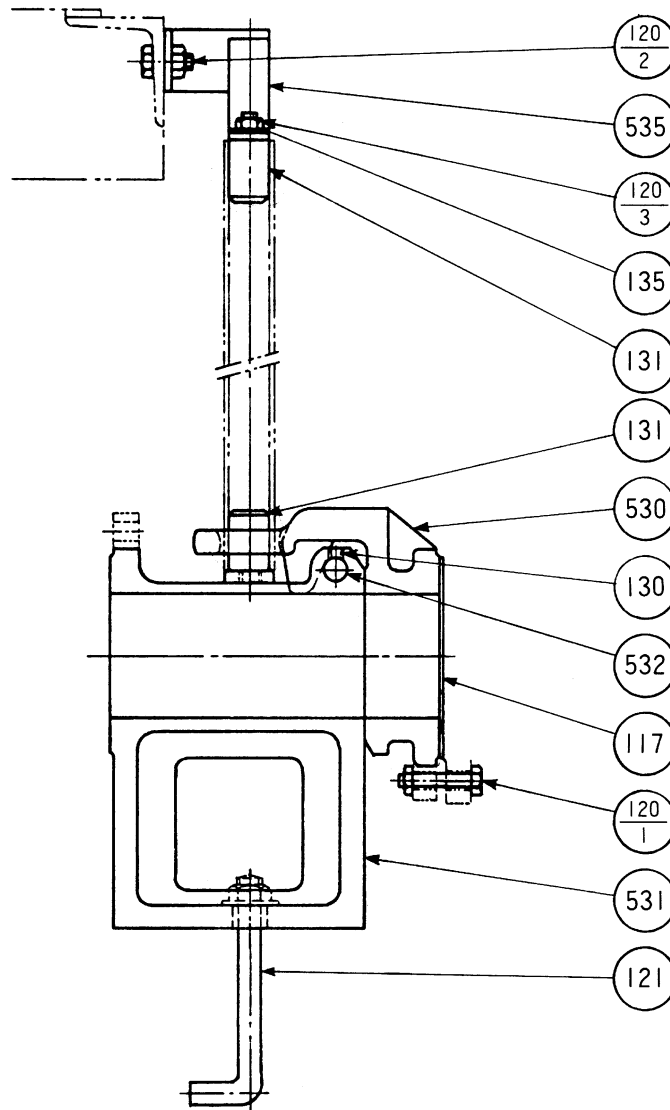
**Dimensions: mm**

MODEL	A	B	C	H	J	K	M <sub>1</sub>	M <sub>2</sub>	N <sub>1</sub>	N <sub>2</sub>	P	Q	R	S	U	QDC WEIGHT kg
LM50	195	133	80	12	120	2	135	80	115	40	135	230	230	165	55	12

**Dimensions**

Project: \_\_\_\_\_ Model: \_\_\_\_\_ Chk'd: \_\_\_\_\_ Date: \_\_\_\_\_

**Models LM50**



Part No.	Part Name	Material		ASTM, AISI, CODE		No. for 1 Unit
		Model LM	Model LME	Model LM	Model LME	
117	Gasket					1
120-1	Bolt & Nut	304 Stainless		AISI304		4
120-2	Bolt & Nut	304 Stainless		AISI304		2
120-3	Nut	304 Stainless		AISI304		2
121	Anchor Bolt	Steel		A283 Grade D		2
130	Set Screw	304 Stainless		AISI304		1
131	Guide Pin	Steel	Brass	A283 Grade D	B36 C27200	4
135	Washer	304 Stainless		AISI403		2
530	Connector	Cast Iron	Bronze	A48 Class 30	B584 C83600	1
531	Body	Cast Iron		A48 Class 30		1
532	Support Bar	420 Stainless		AISI420		1
535	Guide Support Plate	Steel		A283 Grade D		1

# EBARA Submersible Stainless Steel Pumps DWU, DWAU, DWXU, DWXAU – Dominator

## Sectional View

Project:

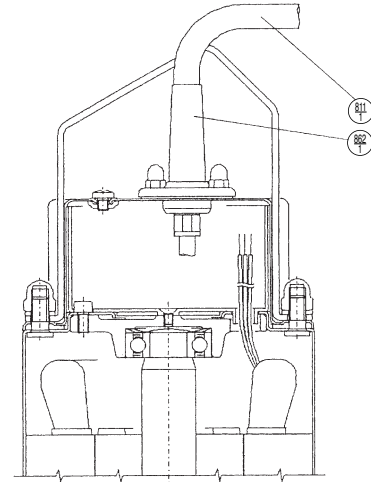
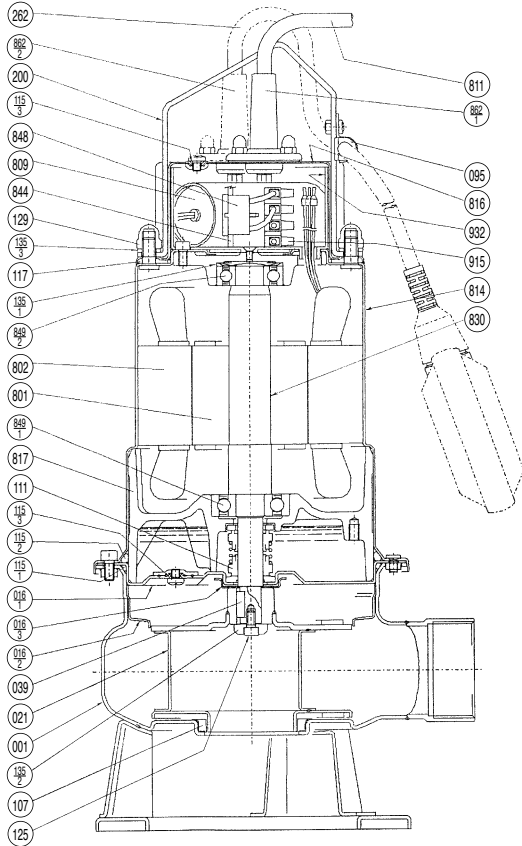
Model:

Chk'd:

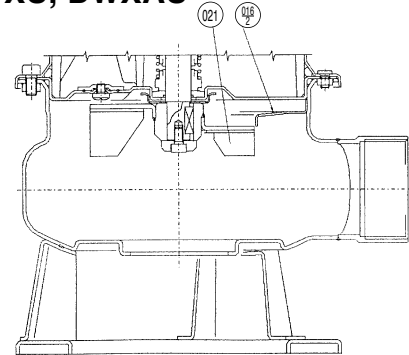
Date:

**Model DWU, DWXU Manual Type**  
**Model DWAU, DWXAU Automatic Type**  
**DWU, DWAU Single Phase Motor**

### Three Phase Motor



### DWXU, DWXAU



Part No.	Part Name	Material	ASTM, AISI Code	No. for 1 Unit
001	Casing	304 SS	AISI 304	1
016-1	Casing Cover	304 SS	AISI 304	1
016-2	Disk	304 SS	AISI 304	1
016-3	Seal Support	304 SS	AISI 304	1
021	Impeller	304 SS	AISI 304	1
039	Key	304 SS	AISI 304	1
095	Float Switch Stay	—		1
107	Casing Ring	Viton		1
*111	Mechanical Seal	—		1 Set
*115-1	O-ring	Viton		1
*115-2	O-ring	Viton		1
*115-3	O-ring	Viton		3
*117	Gasket	Viton		1
125	Impeller Bolt	304 SS	AISI 304	1
129	Nut	304 SS	AISI 304	4
135-1	Washer	304 SS	AISI 304	1
135-2	Washer	304 SS	AISI 304	1
135-3	Washer	304 SS	AISI 304	4

Part No.	Part Name	Material	ASTM, AISI Code	No. for 1 Unit
200	Lifting Hanger	304 SS	AISI 304	1
262	Float Switch	—		1
801	Rotor	—		1
802	Stator	—		1
809	Capacitor	—		1
811-1	Submersible Cable	—		1
811-2	Sensor Cable	—		1
814	Motor Frame	304 SS	AISI 304	1
816	Bracket	304 SS	AISI 304	1
817	Bracket	304 SS	AISI 304	1
830	Shaft	304 SS	AISI 304	1
844	Motor Protector Bracket	Plastic		1
848	Motor Protector	—		1
*849-1	Ball Bearing	—		1
*849-2	Ball Bearing	—		1
862-1	Cable Connector	Rubber (NBR)		1
862-2	Cable Connector	Rubber (NBR)		1
915	External Terminal	—		1
932	Capacitor Holder	Nylon		1

**Remarks:**

\*Recommended spare parts.  
 Part No. 095, 262, 862-2 are only installed on automatic operation models.  
 Part No. 107 is only installed on model DW/DWA/DWF/DWFA single channel impeller.  
 Part No. 809 is only installed on single phase models.  
 Part No. 811-2 – Three phase motors are equipped with a Power Cable and a Thermal Protection Cable.  
 Part No. 915 is installed only for three phase models.



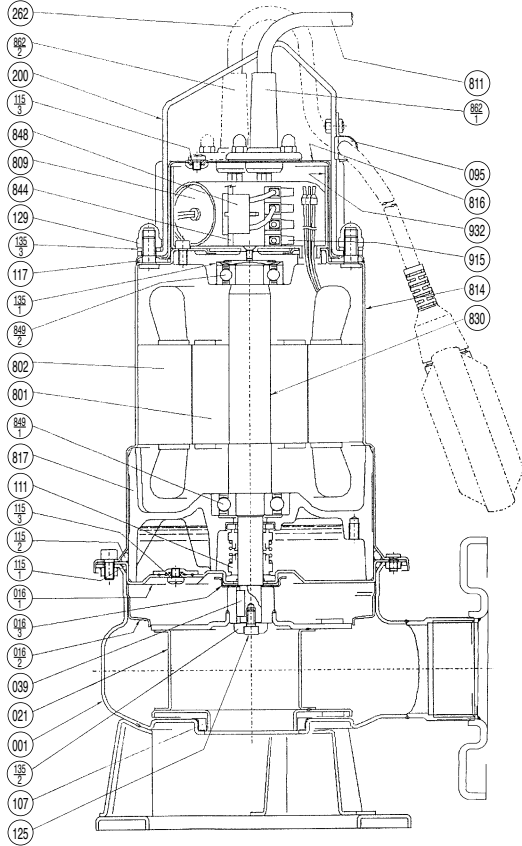
# EBARA Submersible Stainless Steel Pumps DWFU, DWFAU, DWXFU, DWXFAU– Dominator

## Sectional View

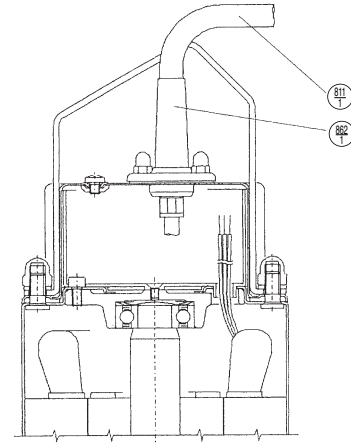
Project: \_\_\_\_\_ Model: \_\_\_\_\_ Chk'd: \_\_\_\_\_ Date: \_\_\_\_\_

**Model DWFU, DWXFU Manual Type**  
**Model DWFAU, DWXFAU Automatic Type**

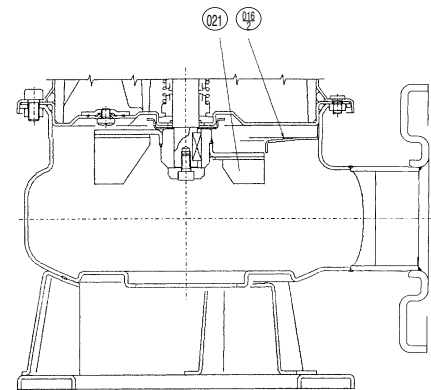
### DWFU, DWFAU Single Phase Motor



### Three Phase Motor



### DWXFU, DWXFAU



Part No.	Part Name	Material	ASTM, AISI Code	No. for 1 Unit
001	Casing	304 SS	AISI 304	1
016-1	Casing Cover	304 SS	AISI 304	1
016-2	Disk	304 SS	AISI 304	1
016-3	Seal Support	304 SS	AISI 304	1
021	Impeller	304 SS	AISI 304	1
039	Key	304 SS	AISI 304	1
095	Float Switch Stay	—		1
107	Casing Ring	Viton		1
*111	Mechanical Seal	—		1 Set
*115-1	O-ring	Viton		1
*115-2	O-ring	Viton		1
*115-3	O-ring	Viton		3
*117	Gasket	Viton		1
125	Impeller Bolt	304 SS	AISI 304	1
129	Nut	304 SS	AISI 304	4
135-1	Washer	304 SS	AISI 304	1
135-2	Washer	304 SS	AISI 304	1
135-3	Washer	304 SS	AISI 304	4

Part No.	Part Name	Material	ASTM, AISI Code	No. for 1 Unit
200	Lifting Hanger	304 SS	AISI 304	1
262	Float Switch	—		1
801	Rotor	—		1
802	Stator	—		1
809	Capacitor	—		1
811-1	Submersible Cable	—		1
811-2	Sensor Cable	—		1
814	Motor Frame	304 SS	AISI 304	1
816	Bracket	304 SS	AISI 304	1
817	Bracket	304 SS	AISI 304	1
830	Shaft	304 SS	AISI 304	1
844	Motor Protector Bracket	Plastic		1
848	Motor Protector	—		1
'849-1	Ball Bearing	—		1
'849-2	Ball Bearing	—		1
862-1	Cable Connector	Rubber (NBR)		1
862-2	Cable Connector	Rubber (NBR)		1
915	External Terminal	—		1
932	Capacitor Holder	Nylon		1

**Remarks:** \*Recommended spare parts.  
 Part No. 095, 262, 862-2 are only installed on automatic operation models.  
 Part No. 107 is only installed on model DW/DWA/DWF/DWFA single channel impeller.  
 Part No. 809 is only installed on single phase models.  
 Part No. 811-2 – Three phase motors are equipped with a Power Cable and a Thermal Protection Cable.  
 Part No. 915 is only installed on three phase models.

**Motor Specification**

Project: \_\_\_\_\_ Model: \_\_\_\_\_ Chk'd: \_\_\_\_\_ Date: \_\_\_\_\_

**Model DWU, DWAU, DWFU, DWFAU**

Output		Phase	Rating			Locked Rotor Current A	Insulation Class	Overload Protection	Power Cable					Performance Data at Rating Point		Resistance at 20°C Ohms	* Symbols					
HP	kW		Voltage V	Current A	Speed R.P.M.				Type	No. of Cond	mm <sup>2</sup>	AWG	Length Ft	Efficiency %	Power Factor %							
1/2	0.4	Single	115	8.3	3350	33.7	F	Built-In Auto Cut	SOOW	3	1.25	#16	25	63.3	98.0	0.67	EI					
			230	4.4	3350	10.7					62.3	95.8		2.44	EI							
1	0.75		115	11	3375	46.8					2.0	#14		74.6	99.0	0.50	EI					
			230	6.5	3375	28.5					1.25	#16		72.8	94.3	1.54	EI					
1 1/2	1.1		230	7.5	3380	36.8					77.6	96.3		1.11	EI							
2	1.5		230	11.1	3479	66.0					79.5	96.0		0.62	EI							
1/2	0.4	Three	230	3.0	3425	23.0	F	Thermal Sensor	SOOW	4	1.25	#16	25	76.5	62.0	4.15	EI					
			460	1.4	3450	9.9					76.8	70.0		20.0	EI							
1	0.75		230	4.2	3475	32.3					80.4	75.9		2.82	EI							
			460	2.0	3475	18.7					81.0	76.7		12.9	EI							
1 1/2	1.1		230	5.1	3500	47.0					81.7	75.9		1.94	EI							
			460	2.5	3475	24.4					82.6	75.4		7.36	EI							
2	1.5		230	7.3	3475	68.7					81.8	75.1		1.30	EI							
			460	3.6	3475	32.5					82.0	81.3		5.52	EI							
3	2.2		230	8.5	3475	89.2					83.6	87.3		10.59	EI							
			460	4.2	3475	48.5					84	81.3		3.53	EI							
Thermal Protection Cable																						
														SOOW	2	0.75	#18	25				

**Motor Specification**

Project: \_\_\_\_\_ Model: \_\_\_\_\_ Chk'd: \_\_\_\_\_ Date: \_\_\_\_\_

**Model DWXU, DWXAU, DWXFU, DWXFAU**

Output		Phase	Rating			Locked Rotor Current A	Insulation Class	Overload Protection	Power Cable					Performance Data at Rating Point		Resistance at 20°C Ohms	* Symbols					
HP	kW		Voltage V	Current A	Speed R.P.M.				Type	No. of Cond	mm <sup>2</sup>	AWG	Length Ft	Efficiency %	Power Factor %							
1/2	0.4	Single	115	8.3	3350	33.7	F	Built-In Auto Cut	SOOW	3	1.25	#16	25	63.3	98.0	0.67	EI					
			230	4.4	3350	10.7					62.3	95.8		2.44	EI							
1	0.75		115	11	3375	46.8					2.0	#14		74.6	99.0	0.50	EI					
			230	6.5	3375	28.5					72.8	94.3		1.54	EI							
1 1/2	1.1		230	7.5	3380	36.8					1.25	#16		77.6	96.3	1.11	EI					
2	1.5		230	11.1	3479	66.0					2.0	#14		79.5	96.0	0.62	EI					
1/2	0.4	Three	230	3.0	3425	23.0		Thermal Sensor	SOOW	4	1.25	#16	25	76.5	62.0	4.15	EI					
			460	1.4	3450	9.9								76.8	70.0	20.0	EI					
1	0.75		230	4.2	3475	32.3								80.4	75.9	2.82	EI					
			460	2.0	3475	18.7								81.0	76.7	12.9	EI					
1 1/2	1.1		230	5.1	3500	47.0								81.7	75.9	1.94	EI					
			460	2.5	3475	24.4								82.6	75.4	7.36	EI					
2	1.5		230	7.3	3475	68.7	81.8							75.1	1.30	EI						
			460	3.6	3475	32.5	82.0							81.3	5.52	EI						
3	2.2		230	8.0	3475	92.5	83.6							87.3	10.59	EI						
			460	4.2	3475	48.2	84.4							81.3	3.53	EI						
Thermal Protection Cable																						
														SOOW	2	0.75	#18	25				

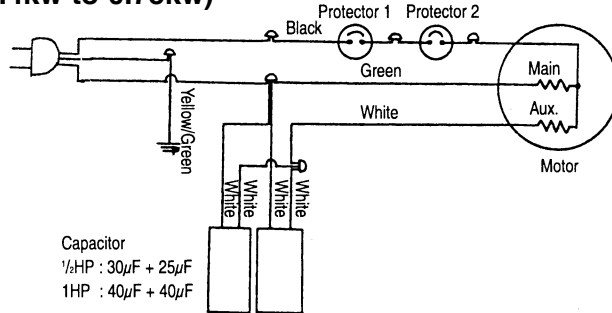


# EBARA Submersible Stainless Steel Pumps DWU, DWFU, DWXU, DWXFU – Dominator Motor Wiring Diagram

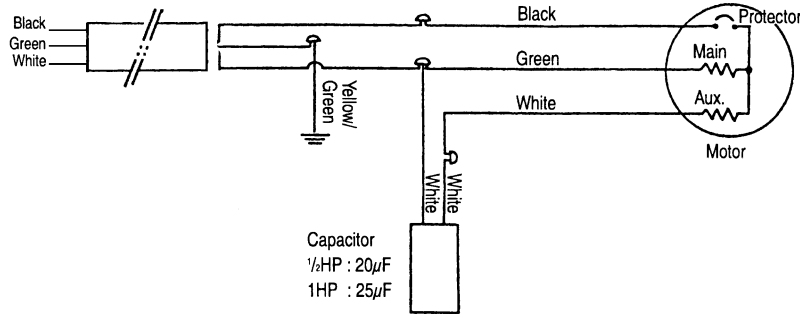
Project: \_\_\_\_\_ Model: \_\_\_\_\_ Chk'd: \_\_\_\_\_ Date: \_\_\_\_\_

## DWU, DWFU, DWXU, DWXFU Manual Operation Type (Single Phase)

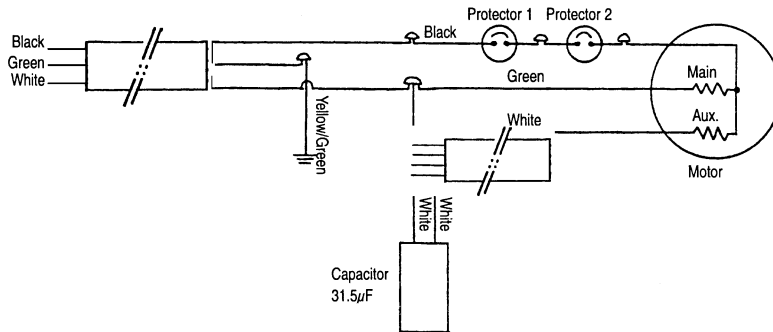
- Output 1/2 to 1 HP (0.4kw to 0.75kw) 115V



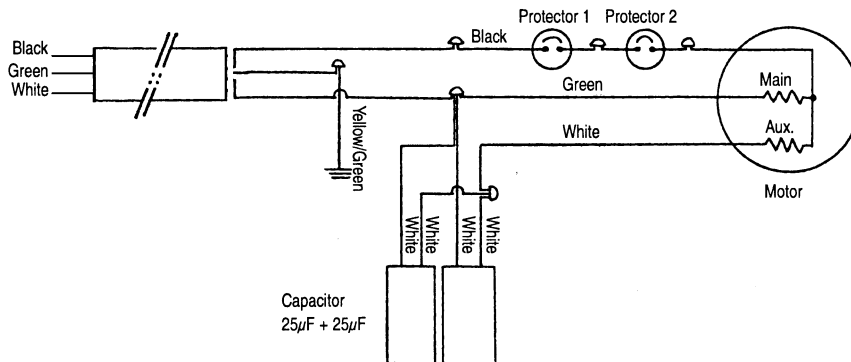
- Output 1/2 to 1 HP (0.4kw to 0.75kw) 230V



- Output 1 1/2HP (1.1kw) 230V



- Output 2HP (1.5kw) 230V



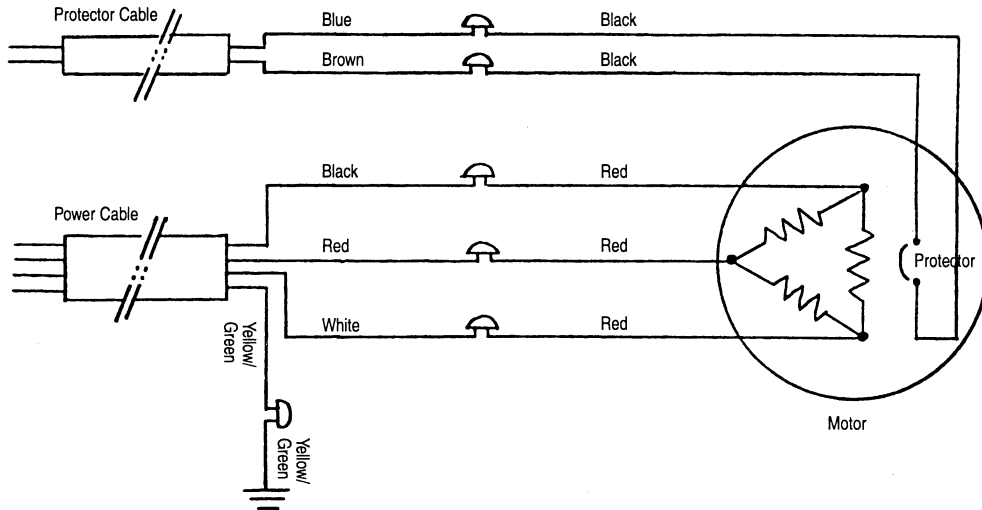
# EBARA Submersible Stainless Steel Pumps DWU, DWFU, DWXU, DWXFU – Dominator

## Motor Wiring Diagram

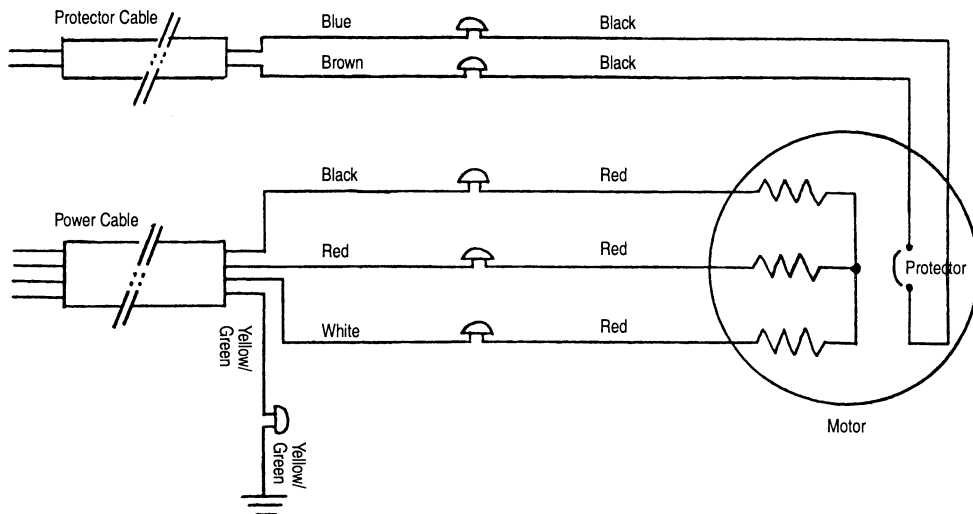
Project: \_\_\_\_\_ Model: \_\_\_\_\_ Chk'd: \_\_\_\_\_ Date: \_\_\_\_\_

### DWU, DWFU, DWXU, DWXFU Manual Operation Type (Three Phase)

230V



460V

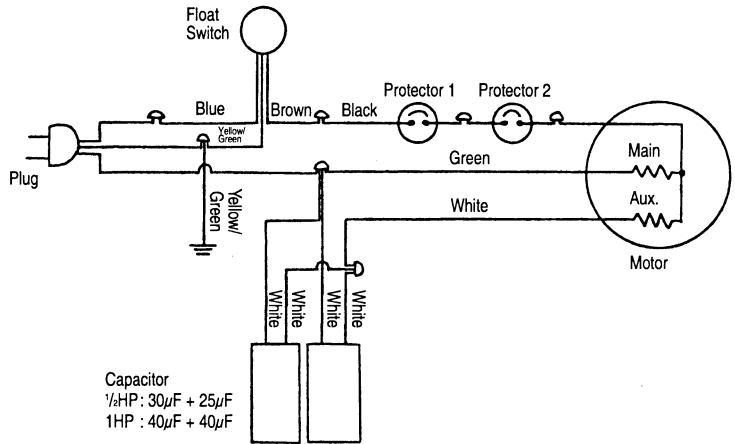


# EBARA Submersible Stainless Steel Pumps DWAU, DWFAU, DWXAU, DWXFAU – Dominator Motor Wiring Diagram

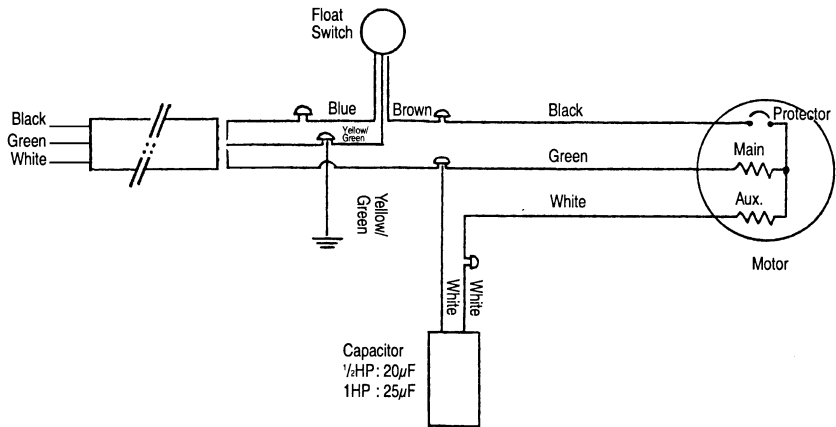
Project: \_\_\_\_\_ Model: \_\_\_\_\_ Chk'd: \_\_\_\_\_ Date: \_\_\_\_\_

## DWAU, DWFAU, DWXAU, DWXFAU Automatic Operation Type (Single Phase)

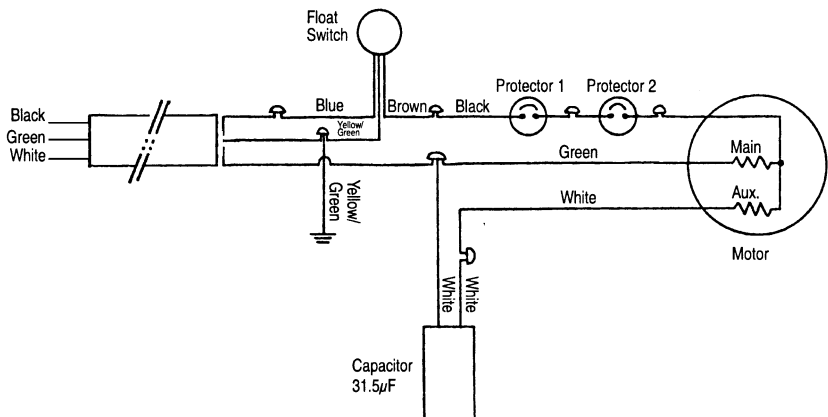
- Output 1/2 to 1 HP (0.4kw to 0.75kw)  
115V



### 230V



- Output 1 1/2HP (1.1kw)  
230V



**Electrical Data**

Project: \_\_\_\_\_ Model: \_\_\_\_\_ Chk'd: \_\_\_\_\_ Date: \_\_\_\_\_

**Model DW(A)U, DWF(A)U  
 DWX(A)U, DWXF(A)U  
 1/2 to 1 HP, 60Hz, Single Phase, 115V**

Name- Plate Rating	Item No.					
	Output (HP)	1/2	1			
	Phase	1	1			
	Poles	2	2			
	Volts	115	115			
	Amperes	8.3	11			
	Speed	3350	3375			
	Insulation Class	F	F			
Capacitor $\mu$ F	Start					
	Run	55	80			
No Load Test	Amperes	1.36	2.90			
	Watts	284	300			
Resistance at 20°C OHMS	Main Coil	0.66	0.495			
	Aux. Coil	1.973	1.183			
100% Load	Current Amp.	5.3	8.8			
	Efficiency %	63.3	74.6			
	Power Factor %	98.0	99.0			
	Speed RPM	3490	3435			
Locked Rotor Torque	%	145	75.5			
Locked Rotor Current	Amp.	33.7	46.8			
Number Starts Per Hour		20	20			
Voltage Tolerance	%	±5				
Frequency Tolerance	%	±5				
(Ref. data Mfr.'s Symbols)		EI	EI			



**Electrical Data**

Project: \_\_\_\_\_ Model: \_\_\_\_\_ Chk'd: \_\_\_\_\_ Date: \_\_\_\_\_

**Model DW(A)U, DWF(A)U  
 DWX(A)U, DWXF(A)U  
 1/2 to 2 HP, 60Hz, Single Phase, 230V**

Item No.						
Name- Plate Rating	Output (HP)	1/2	1	1 1/2	2*	
	Phase	1	1	1	1	
	Poles	2	2	2	2	
	Volts	230	230	230	230	
	Amperes	4.4	6.5	7.5	11.1	
	Speed	3350	3375	3380	3479	
	Insulation Class	F	F	F	F	
	Capacitor $\mu$ F	Start				
Run		20	25	31.5	45	
No Load Test	Amperes	1.65	2.22	2.40	2.73	
	Watts	293	330	370	420	
Resistance at 20°C OHMS	Main Coil	2.38	1.54	1.11	0.62	
	Aux. Coil	5.11	3.47	2.34	1.30	
100% Load	Current Amp.	2.73	4.75	6.40	8.8	
	Efficiency %	62.3	72.8	77.6	79.5	
	Power Factor %	95.8	94.3	96.3	96.0	
	Speed RPM	3490	3460	3440	3440	
Locked Rotor Torque	%	151	67	58	55	
Locked Rotor Current	Amp.	10.7	28.5	36.8	66	
Number Starts Per Hour		20	20	20	20	
Voltage Tolerance	%	±5				
Frequency Tolerance	%	±5				
(Ref. data Mfr's Symbols)		EI	EI	EI	EI	

\*Note: 2 hp not available in automatic operation

**Electrical Data**

Project: \_\_\_\_\_ Model: \_\_\_\_\_ Chk'd: \_\_\_\_\_ Date: \_\_\_\_\_

**Model DWXU, DWXFU  
1/2 to 3HP, 60Hz, Three Phase, 230V**

		Item No.					
Name- Plate Rating	Output (HP)	1/2	1	1 1/2	2	3	
	Phase	3	3	3	3	3	
	Poles	2	2	2	2	2	
	Volts	230	230	230	230	230	
	Amperes	3.00	4.2	5.1	7.3	8.5	
	Speed	3425	3475	3500	3475	3475	
	Insulation Class	F	F	F	F	F	
	Capacitor $\mu$ F	Start	—	—	—	—	—
Run		—	—	—	—	—	
No Load Test	Amperes	1.64	1.87	2.68	3.78	2.68	
	Watts	122	146	165	238	120	
Resistance at 20°C OHMS	Coil	4.15	2.82	1.94	1.30	0.884	
100% Load	Current Amp.	1.99	3.14	4.50	6.06	7.5	
	Efficiency %	76.5	80.4	81.7	81.8	83.6	
	Power Factor %	62.0	75.9	75.9	75.1	87.3	
	Speed RPM	3530	3510	3480	3510	3470	
Locked Rotor Torque	%	592	500	440	415	521	
Locked Rotor Current	Amp.	23.0	32.3	47.0	68.7	89.2	
Number Starts Per Hour		20	20	20	20	20	
Voltage Tolerance	%	$\pm 5$					
Frequency Tolerance	%	$\pm 5$					
(Ref. data Mfr's Symbols)		EI	EI	EI	EI	EI	

**Electrical Data**

Project: \_\_\_\_\_ Model: \_\_\_\_\_ Chk'd: \_\_\_\_\_ Date: \_\_\_\_\_

**Model DWXU, DWXFU  
1/2 to 3HP, 60Hz, Three Phase, 460V**

		Item No.					
Name- Plate Rating	Output (HP)	1/2	1	1 1/2	2	3	
	Phase	3	3	3	3	3	
	Poles	2	2	2	2	2	
	Volts	460	460	460	460	460	
	Amperes	1.4	2	2.5	3.6	4.2	
	Speed	3450	3450	3450	3450	3500	
	Insulation Class	F	F	F	F	F	
	Capacitor $\mu$ F	Start	—	—	—	—	—
Run		—	—	—	—	—	
No Load Test	Amperes	0.63	0.91	1.35	1.37	2.04	
	Watts	111	140	171	214	162	
Resistance at 20°C OHMS	Coil	20.0	13.05	7.43	5.57	3.53	
100% Load	Current Amp.	0.877	1.52	2.23	2.86	4.0	
	Efficiency %	76.8	81.0	82.6	82.0	84.4	
	Power Factor %	70.0	76.7	75.4	81.3	81.3	
	Speed RPM	3525	3505	3515	3505	3505	
Locked Rotor Torque	%	549	475	584	546	521	
Locked Rotor Current	Amp.	9.9	18.7	24.4	32.5	48.5	
Number Starts Per Hour		20	20	20	20	20	
Voltage Tolerance	%	$\pm 5$					
Frequency Tolerance	%	$\pm 5$					
(Ref. data Mfr.'s Symbols)		EI	EI	EI	EI	EI	

**Technical Information**

Project: \_\_\_\_\_ Model: \_\_\_\_\_ Chk'd: \_\_\_\_\_ Date: \_\_\_\_\_

**Mechanical Sectional View**

Since the mechanical seal is the most critical part of submersible pumps, EBARA provides the most reliable mechanical seal available for submersible pumps.

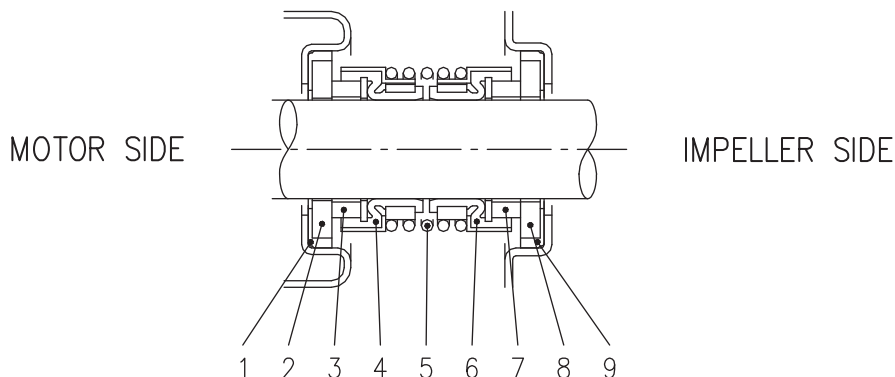
DOUBLE MECHANICAL SEALS with SUPER-HARD seal face are provided on all EBARA Dominator submersible pumps.

The double mechanical seal in oil chamber provides long life and friction-free sealing of the motor shaft.

Typical construction and materials are as follows:

• **Mechanical Seal**

- Type: MG91-D1/15-G54
- Motor side material: Ceramic/Carbon/NBR
- Impeller side material: SiC/SiC/FPM
  
- Lubricating Oil: \_\_\_\_\_
- Type: ESSO MARCOL 152



No.	Part Name	Material
1	Rubber seat	NBR
2	Stationary ring	Ceramic
3	Rotary ring	Graphite
4	Rotary seal	Rubber NBR
5	Coil Spring	AISI 304 stainless steel
6	Rotary seal	Rubber FPM
7	Rotary ring	Silicon carbide
8	Stationary ring	Silicon carbide
9	Rubber seat	FPM

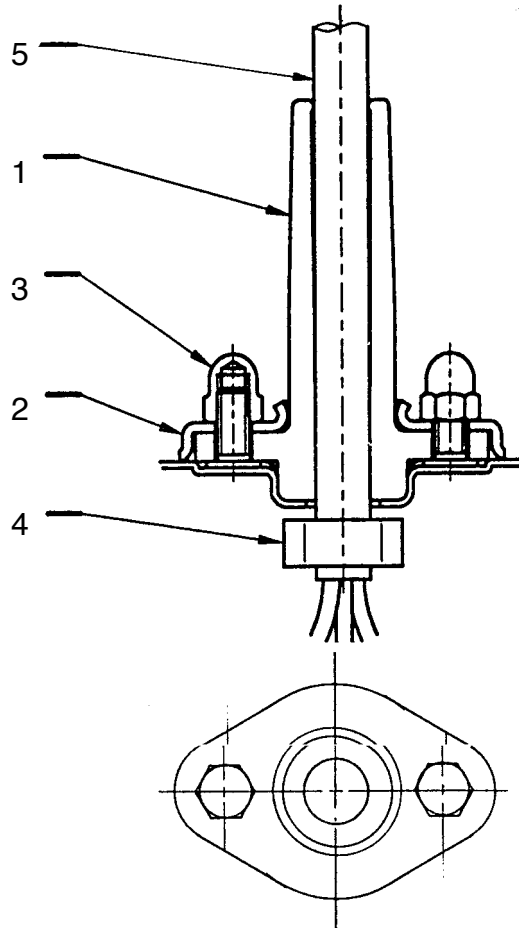


**Technical Information**

Project: \_\_\_\_\_ Model: \_\_\_\_\_ Chk'd: \_\_\_\_\_ Date: \_\_\_\_\_

**Details of Cable Entry**

Based on their years of experience, EBARA now provides the most dependable cable entry construction of any submersible pump. Its features are as follows:



Part No.	Part Name	Material	ASTM, AISI Code	Remarks
1	Cable Connector	Rubber (NBR)		
2	Flange	304SS	AISI 304	
3	Cap Nut	304SS	AISI 304	Size: M5
4	Cable Stopper	Steel	A283 Grade D	
5	Submersible Cable	—		SOW-A
	for Float Switch	—		H05RN-F



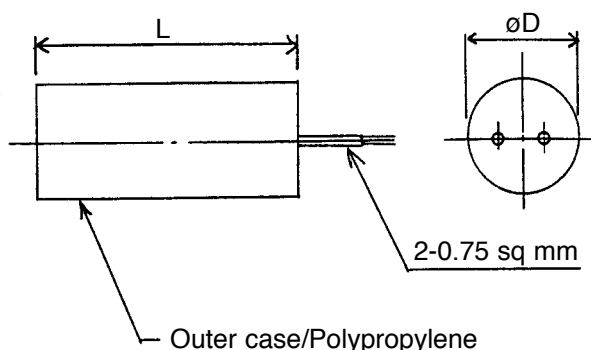
**Technical Information**

Project: \_\_\_\_\_ Model: \_\_\_\_\_ Chk'd: \_\_\_\_\_ Date: \_\_\_\_\_

**Mechanical Seal and Ball Bearing**

Model	Output		Mechanical Seal Type	Lubricating Oil Capacity		Lubricating Oil Name	Ball Bearing	
	HP	kW		Ozs	CC		Bottom	Top
			DWU-DWUFU			1/2		
DWXU-DWXFU	1	0.75	MG91-D1/15-G54	14	385	Esso Marcol 152	6303 ZZ	6203 ZZ
	1 1/2	1.1	MG91-D1/15-G54	14	385		6303 ZZ	6203 ZZ
	2	1.5	MG91-D1/15-G54	14	385		6303 ZZ	6203 ZZ
	3	2.2	MG91-D1/15-G54	14	385		6303 ZZ	6203 ZZ

**Capacitor**



Phase	Output		Voltage (V)	Specification			Dimension		Remarks
	kW	HP		Capacity ( $\mu\text{F}$ )	Rated Voltage (V)	Max. Temp. ( $^{\circ}\text{F}$ )	D	L	
Single	0.4	1/2	115	25	250	185	1 <sup>7</sup> / <sub>16</sub>	2 <sup>7</sup> / <sub>8</sub>	
				30	250	185	1 <sup>9</sup> / <sub>16</sub>	2 <sup>7</sup> / <sub>8</sub>	
			230	20	450	185	1 <sup>9</sup> / <sub>16</sub>	2 <sup>7</sup> / <sub>8</sub>	
	0.75	1	115	40	250	185	1 <sup>7</sup> / <sub>16</sub>	3 <sup>13</sup> / <sub>16</sub>	Use 2 pcs.
			230	25	450	185	1 <sup>7</sup> / <sub>16</sub>	3 <sup>13</sup> / <sub>16</sub>	
	1.1	1 1/2	230	31.5	450	185	1 <sup>9</sup> / <sub>16</sub>	3 <sup>13</sup> / <sub>16</sub>	
1.5	2	230	25	450	185	1 <sup>9</sup> / <sub>16</sub>	2 <sup>7</sup> / <sub>8</sub>		
			25	450	185	1 <sup>7</sup> / <sub>16</sub>	3 <sup>13</sup> / <sub>16</sub>		

**Technical Information**

Project:

Model:

Chk'd:

Date:

**Maximum Submergence of Pumps**

EBARA submersible pumps shall be capable of continuous submergence underwater without loss of watertight integrity to the following depths:

<b>Model</b>	<b>Operation</b>	<b>Maximum Submergence</b>
DWU DWFU DWXU DWXFU	Manual Operation	33 ft.
DWAU DWFAU DWXAU DWXFAU	Automatic Operation (A)	33 ft.

