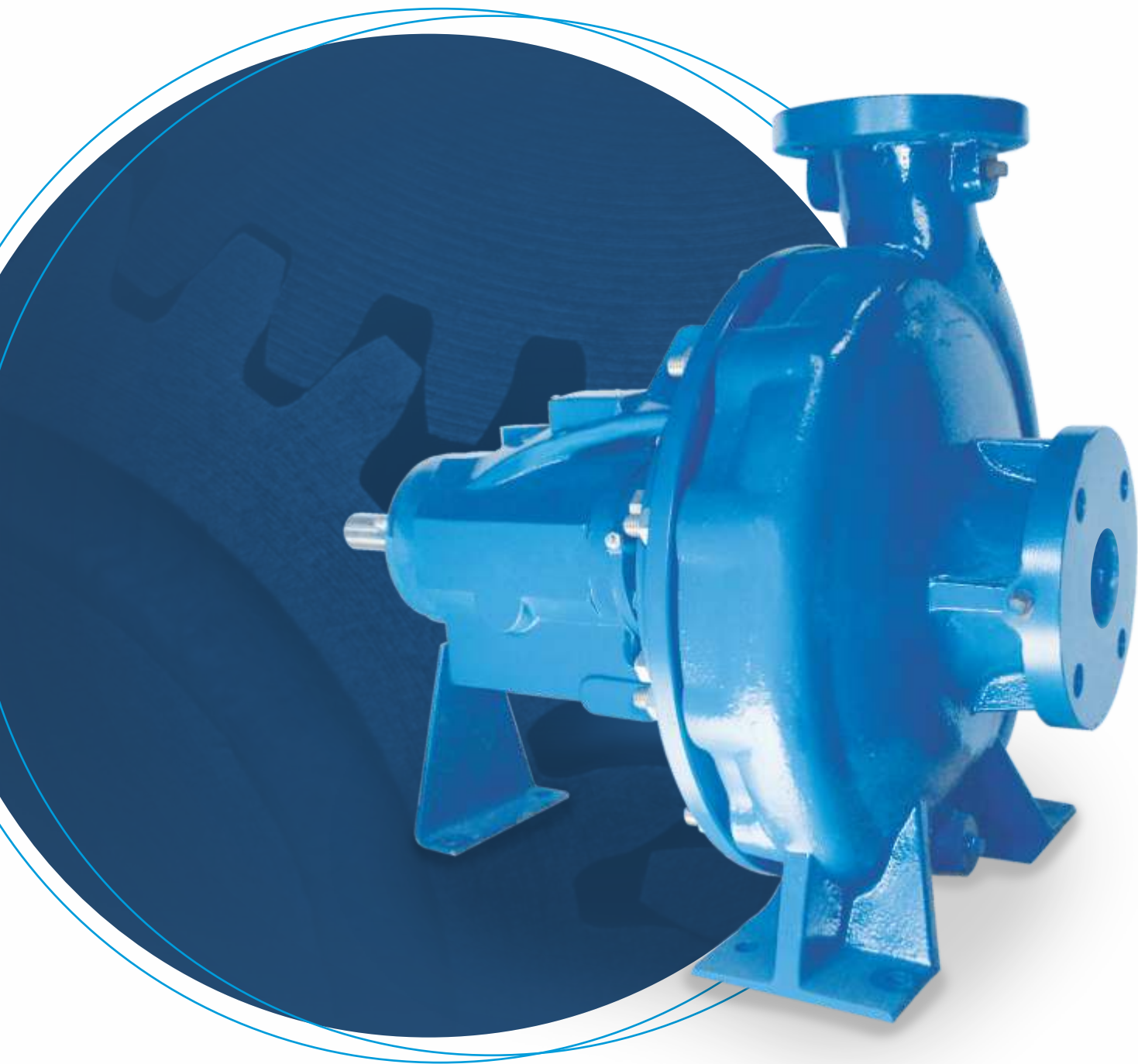


"A Trusted Partner in Pump Solutions"

DN SERIES PUMPS

END SUCTION FRAME MOUNTED



DN SERIES PUMPS

These are general purpose, frame mounted end suction pumps flexibly coupled to drivers. Each entire unit can be mounted on a common base plate.

APPLICATIONS:

DN Series pumps are designed for applications in medium duty service, providing maximum pump value in heating and air conditioning, booster and general circulating services.

SPECIFICATIONS:

Capacities - Up to 3000 GPM

Pressure - Up to 175 psi

Temperature - From 32°F to 200°F

Liquids - Water and Light hydrocarbons

Head - Up to 400 feet

Horsepower - Up to 200 hp

Drives - Electric Motors

Materials - Cast Iron, Bronze, Stainless Steel

FEATURES:

DN Series Pumps are available in cast iron bronze fitted and all iron Materials of Construction

Pump casing is fitted with a bronze / cast iron replaceable wear ring.

Motor bearings are grease lubricated and are sized for a minimum of 20,000 hours L10 basic rating life or 1,00,00 hours median bearing life.

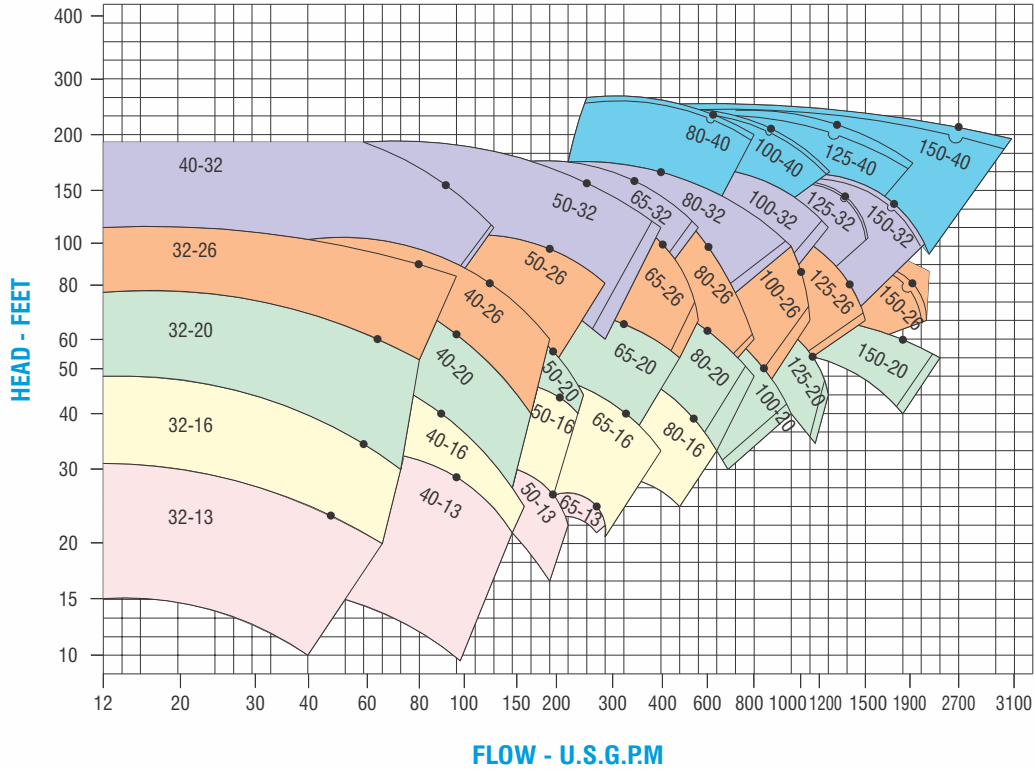
The motor / impeller shaft is protected with a replaceable sleeve installed between the shaft and mechanical seal.

Mechanical seals with face type ceramic seat, carbon washer, stainless steel metal parts and Buna elastomers are designed for water service and light hydrocarbons up to 200°F.

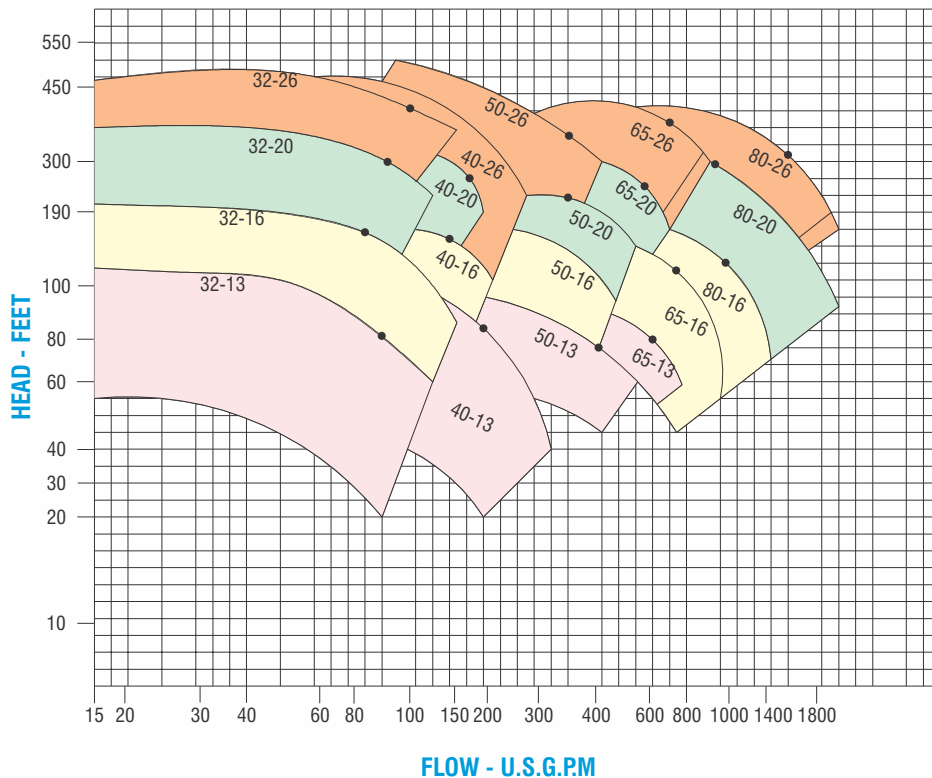
Rotech DN Series Pumps are supplied with enclosed dynamically balanced impellers for smooth, low vibration operation.

HYDRAULIC COVERAGE

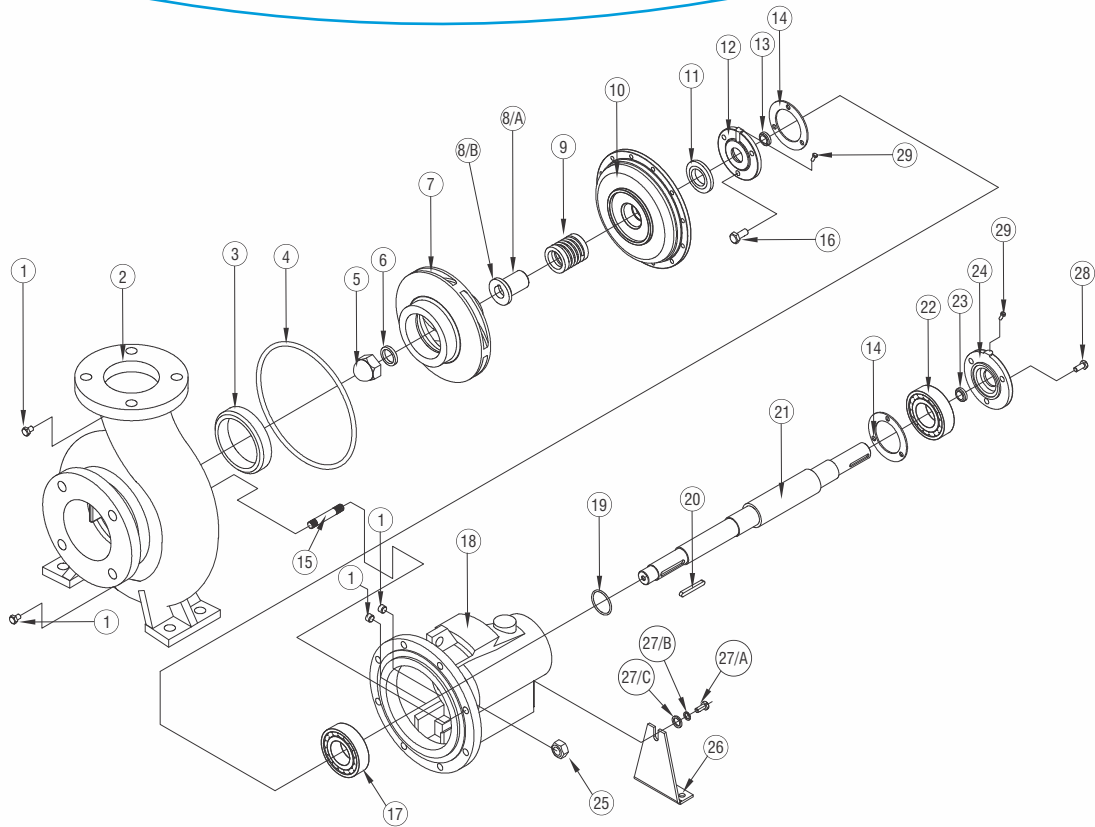
Selection Chart 1800 RPM



Selection Chart 3600 RPM



EXPLODED VIEW



PART #	PART DESCRIPTION
1	Plug
2	Pump Casing
3	Casing Wear Ring
4	Casing O-Ring
5	Impeller Nut
6	Spring Washer
7	Impeller
8A	Shaft Sleeve
8B	Abutment Ring
9	Mechanical Seal
10	Casing Cover
11	Slinger
12	Inboard Bearing Cover
13	Inboard Lip Seal
14	Gasket
15	Stud

PART #	PART DESCRIPTION
16	Bolt
17	Inboard Bearing
18	Bearing Housing
19	Shaft Sleeve O-Ring
20	Key Shaft
21	Shaft
22	Outboard Bearing
23	Outboard Lip Seal
24	Outboard Bearing Cover
25	Nut
26	Rear Foot Support
27C	Flat Washer
27B	Spring Washer
27A	Bolt
28	Bolt
29	Grease Nipple



"A Trusted Partner in Pump Solutions"

1320 Britannia Road East
Mississauga, Ontario, Canada. L4W 1C8

Phone: (905) 461-9617 | Fax: (905) 461-9618
Toll Free: 1-866-217-PUMP (7867)
Email: sales@rotechpumps.com | www.rotechpumps.com