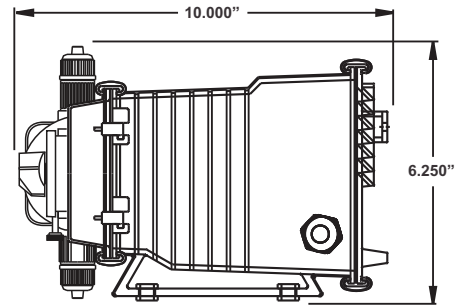
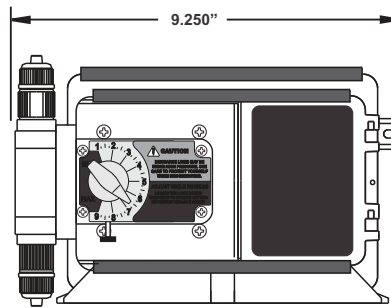
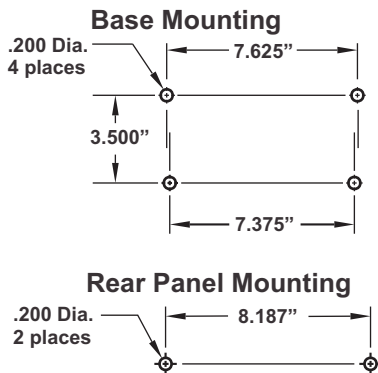


Blue-White Industries, Ltd.

CHEM-FEED® Diaphragm Metering Pumps

Dimensions:



Model Number Matrix:

MODEL		C	11	X																
Pump system selection		C = Pump without tank system T = Pump mounted on STAR-3 tank																		
Output Control		V = Digital speed control with external input F = Analog speed control C = Analog timer, 5 sec. Cycle - 100% duty A = Analog timer, 60 sec. Cycle - 100% duty E = Digital batch timer with external input X = No output control - fixed feed rate																		
Maximum Motor RPM		0 = 14 RPM 3 = 60 RPM 1 = 30 RPM 4 = 125 RPM 2 = 45 RPM 5 = 250 RPM																		
Power Supply (motor protection)		4 = 115V/60Hz (TP) 5 = 220V/50Hz (TP) 6 = 230V/60Hz (TP) 7 = 240V/50Hz (TP) TP = Thermal protection																		
Cam Stroke Length		1 = .125" 3 = .187" 2 = .055" 4 = .100"																		
Electrical Options		X = Standard Equipment A = Junction box replaces power cord P = Power cord and junction box R = 230V Power cord w/NEMA 6/15 plug Z = Proportional feed system - JBox/Cord																		
Footvalve / Tank Capacity		0 = C-340 1 = C-345 2 = C-340-6T A = 7 Gallons (U.S.) B = 15 Gallons (U.S.) C = 30 Gallons (U.S.)																		
Injection Fitting		0 = A-014N (Polypropylene - ½ lb spring) 1 = C-395N (Polypropylene - 6 lb spring) A = A-014-6T (PTFE - ½ lb spring) B = C-395-6T (PTFE - 6 lb spring) C = A-014NK (PVDF - ½ lb spring) D = C-395NK (PVDF - 6 lb spring)																		
Elastomer Material		V = Viton E = EP																		
Diaphragm Style		0 = Large PTFE/EP 1 = Large PTFE/Viton 6 = Small PTFE / EP 7 = Small PTFE / EP																		
Pump Head Style		0 = Large Diaphragm 2 = Small Diaphragm 5 = Large Pressure release 7 = Large Diaphragm w/single ball valve																		
Pump Head Material		0 = Injection molded PVDF 4 = Machined PTFE 5 = Machined Acrylic																		

Flow rate and pressure capacities:

Max Output at 0 PSI				Strokes Per minute	Max PSI	115V/60Hz		230V/60Hz		220V/50Hz	
GPD	GPH	LPH	OZ/MIN			Model Number	Model Number	Model Number	Model Number		
57.7	2.4	9.1	5.1	60	150	C11X344X000V00	C11X364X000V00	C11X354X000V00			
119.7	4.9	18.9	10.6	125	150	C11X444X000V00	C11X464X000V00	C11X454X000V00			
155.9	6.4	24.6	13.8	125	150	C11X441X000V00	C11X461X000V00	C11X451X000V00			
260.8	10.8	41.1	23.1	250	100	C11X544X000V00	C11X564X000V00	C11X554X000V00			
360.0	15.0	56.8	32.0	250	25	C11X543X000V00	C11X563X000V00	C11X553X000V00			

