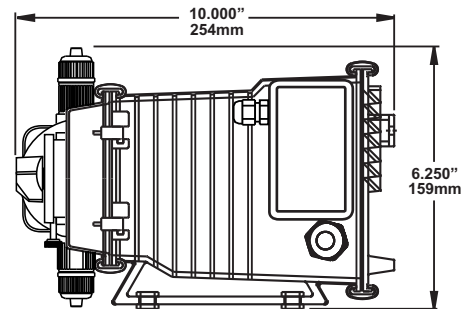
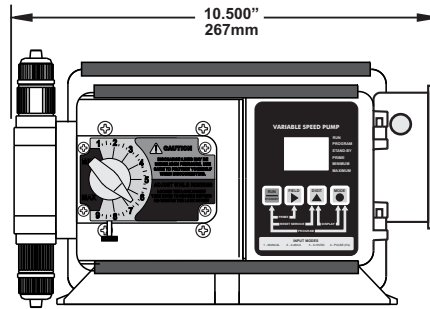
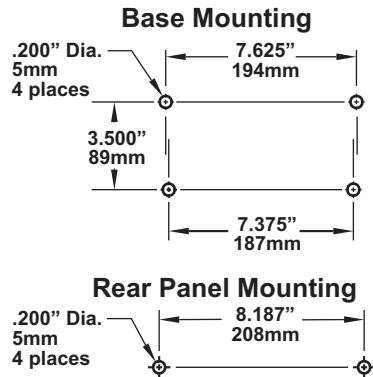




# Blue-White Industries, Ltd.

## CHEM-FEED® Diaphragm Metering Pumps

### Dimensions:



### Model Number Matrix:

MODEL		C	11	E											
<b>Pump system selection</b>		<ul style="list-style-type: none"> <li>C = Pump without tank system</li> <li>T = Pump mounted on STAR-3 tank</li> </ul>													
<b>Output Control</b>		<ul style="list-style-type: none"> <li>V = Digital speed control with external input</li> <li>F = Analog speed control</li> <li>C = Analog timer, 5 sec. Cycle - 100% duty</li> <li>A = Analog timer, 60 sec. Cycle - 100% duty</li> <li>E = Digital batch timer with external input</li> <li>X = No output control - fixed feed rate</li> </ul>													
<b>Maximum Motor RPM</b>		<ul style="list-style-type: none"> <li>0 = 14 RPM</li> <li>1 = 30 RPM</li> <li>2 = 45 RPM</li> <li>3 = 60 RPM</li> <li>4 = 125 RPM</li> <li>5 = 250 RPM</li> </ul>													
<b>Power Supply (motor protection)</b>		<ul style="list-style-type: none"> <li>4 = 115V60Hz (TP)</li> <li>5 = 220V50Hz (TP)*</li> <li>6 = 230V60Hz (TP)</li> <li>7 = 240V50Hz (TP)*</li> <li>TP = Thermal protection</li> </ul>													
<b>Cam Stroke Length</b>		<ul style="list-style-type: none"> <li>1 = .125"</li> <li>2 = .055"</li> <li>3 = .187"</li> <li>4 = .100"</li> </ul>													
<b>Electrical Options</b>		<ul style="list-style-type: none"> <li>X = Standard Equipment</li> <li>A = Junction box replaces power cord</li> <li>P = Power cord and junction box</li> <li>R = 230V Power cord w/NEMA 6/15 plug</li> <li>Z = Proportional feed system - JBox/Cord</li> </ul>													
<b>Footvalve / Tank Capacity</b>		<ul style="list-style-type: none"> <li>0 = C-340</li> <li>1 = C-345</li> <li>2 = C-340-6T</li> <li>A = 7 Gallons (U.S.)</li> <li>B = 15 Gallons (U.S.)</li> <li>C = 30 Gallons (U.S.)</li> </ul>													
<b>Injection Fitting</b>		<ul style="list-style-type: none"> <li>0 = A-014N (Polypropylene - ½ lb spring)</li> <li>1 = C-395N (Polypropylene - 6 lb spring)</li> <li>A = A-014-6T (PTFE - ½ lb spring)</li> <li>B = C-395-6T (PTFE - 6 lb spring)</li> <li>C = A-014NK (PVDF - ½ lb spring)</li> <li>D = C-395NK (PVDF - 6 lb spring)</li> </ul>													
<b>Elastomer Material</b>		<ul style="list-style-type: none"> <li>V = Viton</li> <li>E = EP</li> </ul>													
<b>Diaphragm Style</b>		<ul style="list-style-type: none"> <li>0 = Large PTFE/EP</li> <li>1 = Large PTFE/Viton</li> <li>6 = Small PTFE / EP</li> <li>7 = Small PTFE / EP</li> </ul>													
<b>Pump Head Style</b>		<ul style="list-style-type: none"> <li>0 = Large Diaphragm</li> <li>2 = Small Diaphragm</li> <li>5 = Large Pressure release</li> <li>7 = Large Diaphragm w/single ball valve</li> </ul>													
<b>Pump Head Material</b>		<ul style="list-style-type: none"> <li>0 = Injection molded PVDF</li> <li>4 = Machined PTFE</li> <li>5 = Machined Acrylic</li> </ul>													

### Flow rate and pressure capacities:

Max Output at 0 PSI				Strokes	Max	115V/60Hz	230V/60Hz	220V/50Hz*
GPD	GPH	LPH	OZ/MIN	Per minute	PSI	Model Number	Model Number	Model Number
57.7	2.4	9.1	5.1	60	150	C11E344X000V00	C11E364X000V00	C11E354X000V00
119.7	4.9	18.9	10.6	125	150	C11E444X000V00	C11E464X000V00	C11E454X000V00
155.9	6.4	24.6	13.8	125	150	C11E441X000V00	C11E461X000V00	C11E451X000V00
260.8	10.8	41.1	23.1	250	100	C11E544X000V00	C11E564X000V00	C11E554X000V00
360.0	15.0	56.8	32.0	250	25	C11E543X000V00	C11E563X000V00	C11E553X000V00

Note: 50Hz units deliver 20% less output PSI

