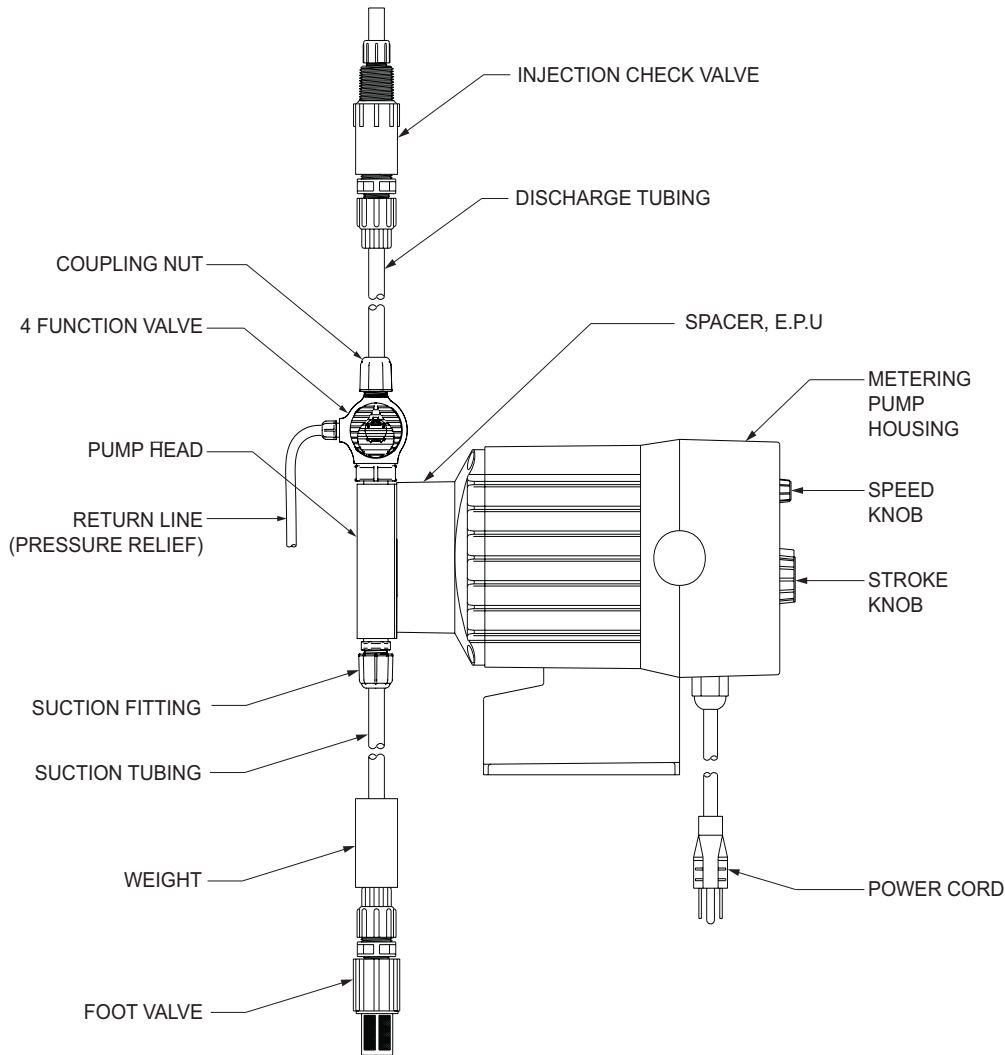




LMI[®]

an Accudyne Industries brand



Metering Pump Component Diagram

Series B9

Electronic Metering Pump

Pump Specification and Assembly Details

Manual No : 1034, 1794

Rev. : H, F

Rev. Date : 6/09, 10/2015

 **BPE BURT** | PROCESS
EQUIPMENT

FOR SALES AND SUPPORT CALL
TOLL FREE 877-742-2878

Return to BurtProcess.com



LMI[®]

an Accudyne Industries brand

Specification Sheet

Series B

GENERAL

Chemical metering pumps shall be positive displacement, Liquifram™ type pumps that are UL and CUL approved. Output volume shall be adjustable while pumps are in operation from zero to maximum capacity of:

- B11, B71, B91 - 1.6 GPH (6.1 liters per hour)
- B12, B72, B92 - 2.5 GPH (9.5 liters per hour)
- B13, B73, B93 - 4.5 GPH (17.0 liters per hour)
- B14, B74, B94 - 7.0 GPH (26.5 liters per hour)

Chemical metering pumps shall be capable, without a hydraulically backed diaphragm, of injecting solutions against pressures up to:

- B11, B71, B91 - 150 psig(10.3 bar)
- B12, B72, B92 - 100 psig(6.9 bar)
- B13, B73, B93 - 50 psig(3.4 bar)
- B14, B74, B94 - 30 psig(2.1 bar)

SERIES B1

Adjustment shall be by means of readily accessible dial knobs, one for changing stroke length and the other for changing stroke frequency. Both knobs are to be located opposite the liquid handling end.

SERIES B7

Control of Series B7 metering pumps shall be selectable between internal and external pulsing by means of a 3-position center-off switch. Stroke length shall be adjustable by means of readily accessible dial knob. When in external pulsed mode, Series B7 units shall accept signals without the use of electrical timer or internal timer. Pressure capacity shall be adjustable to reduce noise, vibration and wear.

SERIES B9

Series B9 metering pumps shall have a clear liquid crystal display. Control shall be selectable between internal and external pulsing by means of a tactile keypad. Internal stroke frequency shall be adjustable from 1 stroke per hour to 100 strokes per minute. Pressure capacity

shall be keypad adjustable to reduce noise, vibration and wear. Metering pump shall be capable of dividing or multiplying pulse inputs from 1 to 999 or responding directly or inversely to a 4-20mA input signal.

DRIVE

The pump drive shall be totally enclosed with no exposed moving parts. Solid state electronic pulser shall be fully encapsulated and supplied with quick connect terminals at least 3/16" (4.75 mm) wide. Electronics shall be housed in chemical resistant enclosure at the rear of the pump for maximum protection against chemical spillage. Electrical power consumption shall not exceed 29 watts per hour under full speed and maximum pressure conditions. Pump weight shall not exceed 15 lbs (6.9 kg).

AUTOMATIC PRESSURE RELIEF

To eliminate need for pressure relief valve, Liquifram™ shall automatically stop pulsating when discharge pressure exceeds pump pressure rating by not more than 35%.

MATERIAL

Chemical metering pump housing shall be of chemically resistant glass fiber reinforced thermoplastic. All exposed fasteners shall be stainless steel. Chemical metering pump valves shall be ball type, with ceramic balls¹. Valve seat and seal ring shall be renewable by replacing the combination seat-seal ring² or cartridge valve assembly. Pump head shall be of transparent acrylic³ material capable of resisting the pumped chemical. Fittings and connections at pump head shall be PVC⁴.

CHECK VALVES AND TUBING

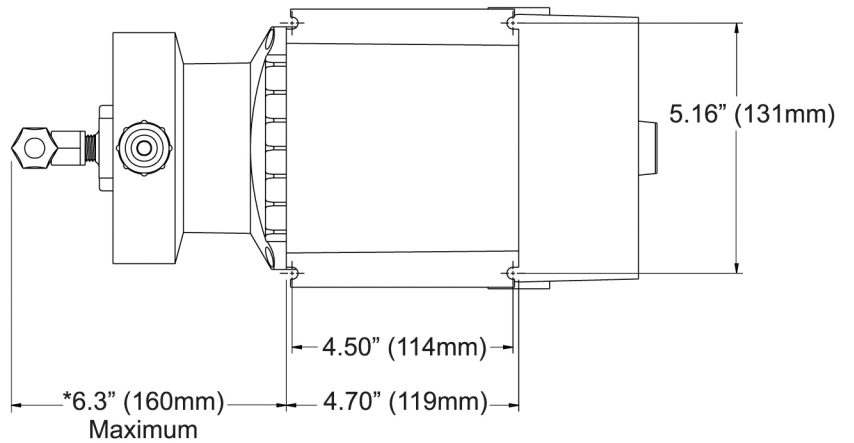
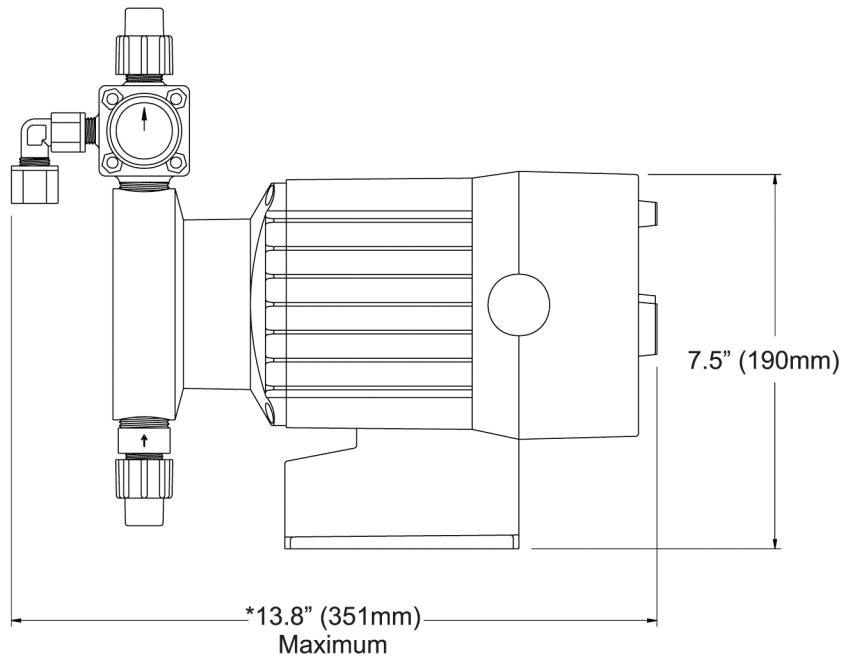
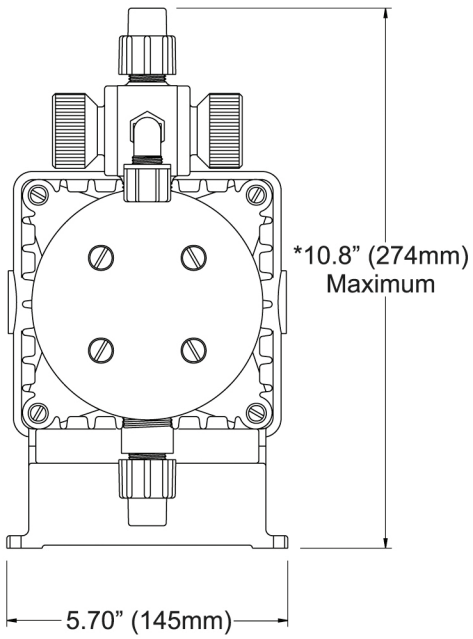
A total of 16 ft (4.8 m) of polyethylene tubing⁵ shall be provided per pump complete with compression connections. A foot valve with integral one piece strainer shall be provided for the suction line, and an injection/back pressure check valve with 1/2" NPT male connection for the injection point. The injection check valve shall incorporate a dilating orifice which prohibits scale formation and accumulation of crystalline deposits.

Notes:

1. Type 316 stainless steel or PTFE may be specified.
2. Hypalon®, PTFE or Polyprel® may be specified.
3. PVDF, PVC, Polypropylene, or Type 316 stainless steel may be specified.
4. PVDF, Polypropylene, or Type 316 stainless steel may be specified.
5. 6 ft (1.8 m) of vinyl suction tubing may be specified in place of polyethylene for the suction side only. 1/4" or 1/2" pipe thread may be specified.

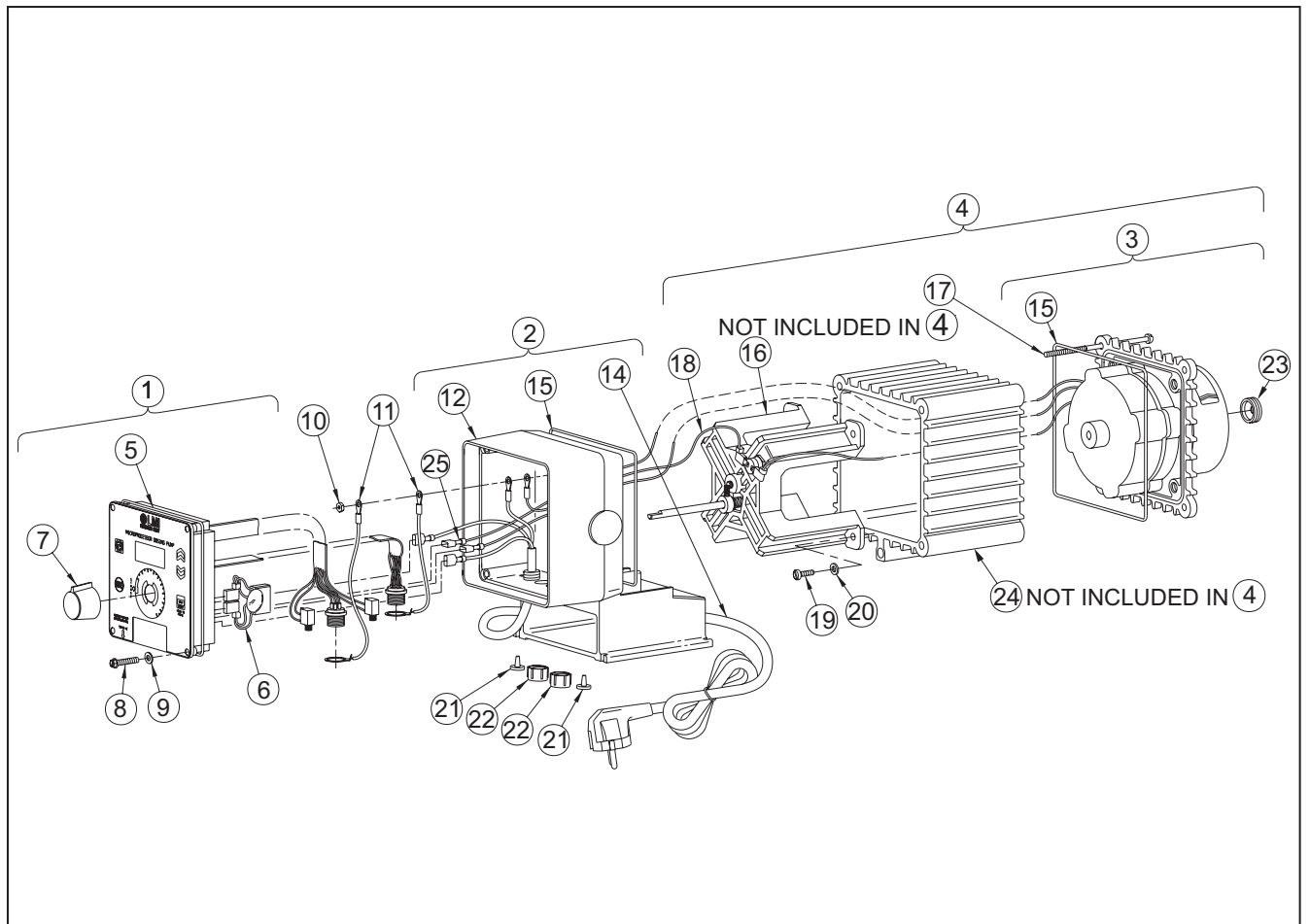


201 Ivyland Road
Ivyland, PA 18974 USA
TEL: (215) 293-0401
FAX: (215) 293-0445
<http://www.lmipumps.com>



*Dimensions shown are maximum for largest liquid end available. These dimensions vary depending on the liquid end selected.

SERIES B9 DRIVE ASSEMBLY EXPLODED VIEW DIAGRAM



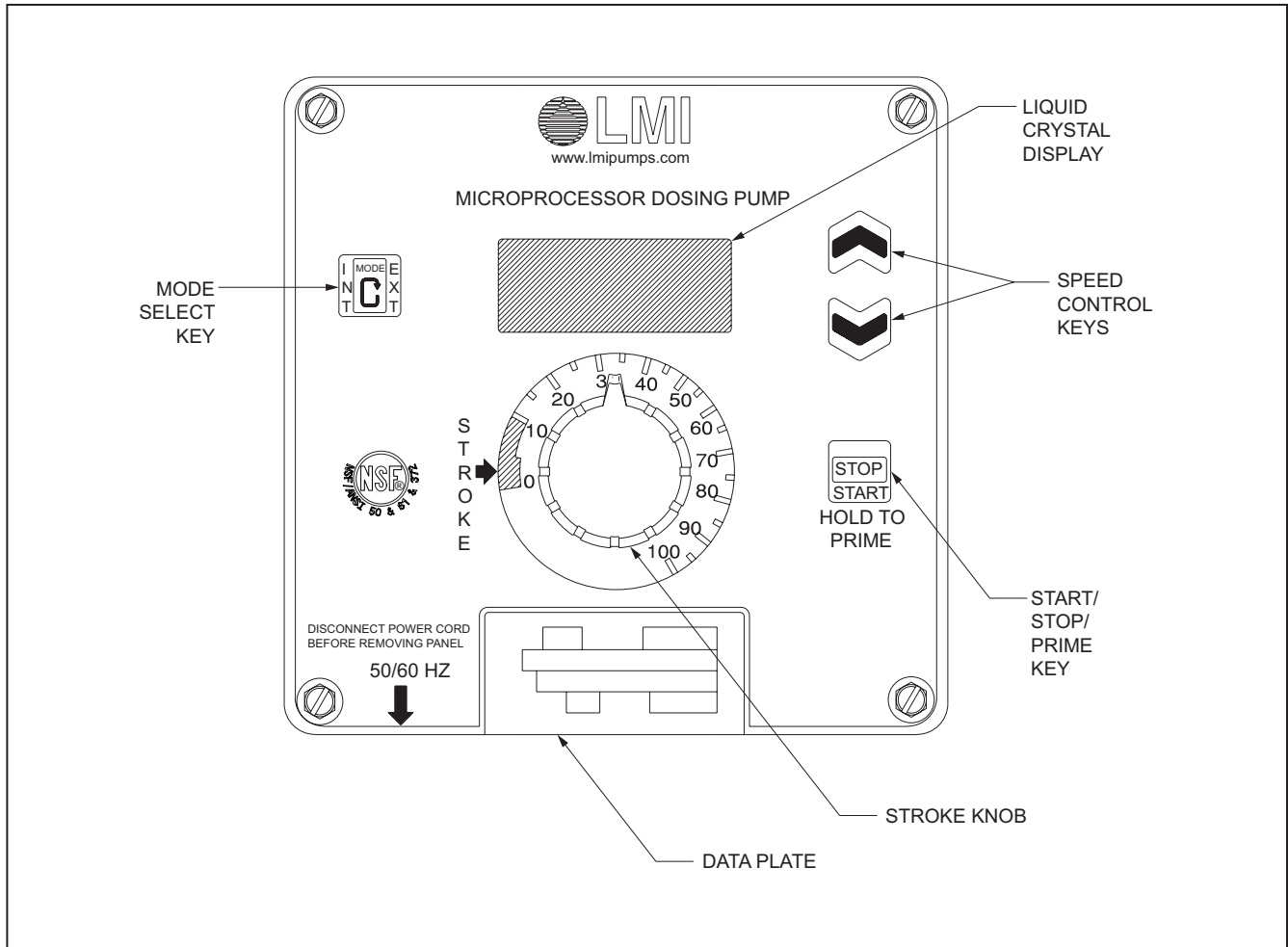
SERIES B9 DRIVE ASSEMBLY PARTS LIST

Key Number	Model Series	Part Number	Description	Qty
1	B911	35901CE	Control Panel Assembly, 120V	1
	B921, B931, B941	35895CE	Control Panel Assembly, 120V	1
	B912, B913, B915, B916, B917	35954CE	Control Panel Assembly, 230V	1
	B922, B923, B925, B926, B927, B932, B933, B935, B936, B937, B942, B943, B945, B946, B947	35953CE	Control Panel Assembly, 230V	1
2	B911, B921, B931, B941	35949CE	Housing Assembly, 120V	1
	B912, B922, B932, B942	35955CE	Housing Assembly, 230V	1
	B913, B923, B933, B943	35950CE	Housing Assembly, 220-240V DIN	1
	B915, B925, B935, B945	35951CE	Housing Assembly, 220-240V UK	1
	B916, B926, B936, B946	35956CE	Housing Assembly, 220-240V AUST	1
	B917, B927, B937, B947	35952CE	Housing Assembly, 220-240C SWISS	1
3	B911, B921	26893CE	EPU and Spacer Assembly	1
	B912, B913, B915, B916, B917, B922, B923, B925, B926, B927	26894CE		1
	B931	26897CE		1
	B932, B933, B935, B936, B937	26898CE		1
	B941	29618CE		1
	B942, B943, B945, B946, B947	29619CE		1
4	B911, B921	31927CE	EPU & Spacer Assembly w/Stroke Adj.	1
	B912, B913, B915, B916, B917, B922, B923, B925, B926, B927	31928CE		1
	B731	31929CE		1
	B932, B933, B935, B936, B937	31930CE		1
	B941	31931CE		1
	B942, B943, B945, B946, B947	31932CE		1
5	B9	10166	O-Ring	1
6	B911, B921, B931, B941	35254	Varistor Assembly, 120V	1
	B912, B913, B915, B916, B917, B922, B923, B925, B926, B927, B932, B933, B935, B936, B937, B942, B943, B945, B946, B947	35255	Varistor Assembly, 230V	1
7	B9	31891	Stroke Knob	1
8	B9	30306	Screw, Self Tapping	4
9	B9	33889	Washer	4
10	B9	10191	Nut, 6-32	2
11	B9	35266	Wire Assembly	2

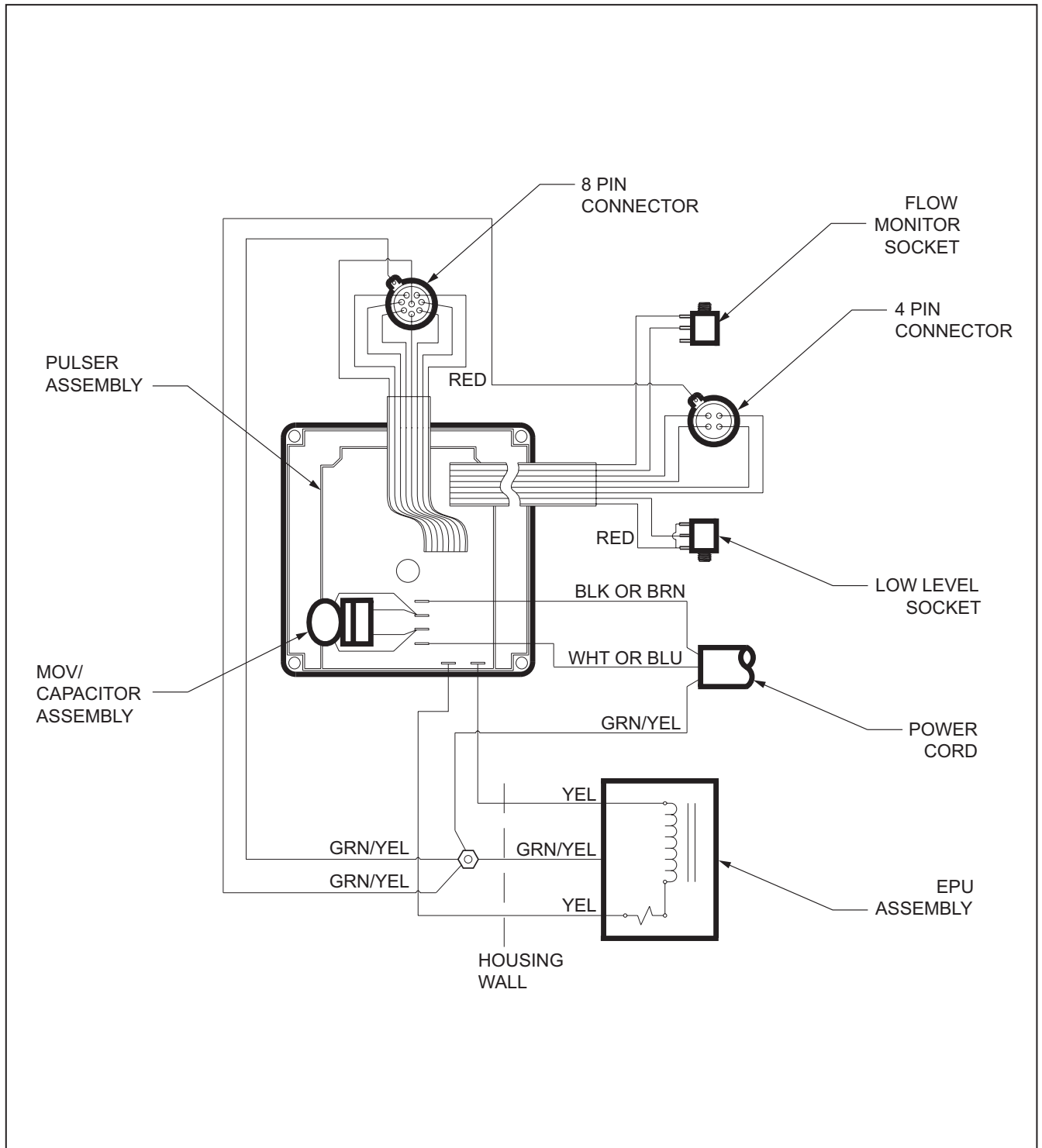

SERIES B9 DRIVE ASSEMBLY PARTS LIST

Key Number	Model Series	Part Number	Description	Qty
12	B9	35890	Housing	1
14	B911, B921, B931, B941	29033CE	Power Cord, 120V	1
	B912, B922, B932, B942	29039CE	Power Cord, 230V	1
	B913, B923, B933, B943	29042CE	Power Cord, 220-240V DIN	1
	B915, B925, B935, B945	29044CE	Power Cord, 220-240V UK	1
	B916, B926, B936, B946	29046CE	Power Cord, 220-240V AUST	1
	B917, B927, B937, B947	29048CE	Power Cord, 220-240V SWISS	1
15	B9	35269	O-Ring	2
16	B9	31898	Stroke Adjustment Assembly	1
17	B9	25127	Screw 10-24 x 4.5 SS	4
18	B9	29410CE	Wire Assembly	1
19	B9	10598	Screw	4
20	B9	10415	Washer	4
21	B9	30307	Plug	2
22	B9	25930	Cap Cover	2
23	B9	10973	Seal	1
24	B9	25068	Sleeve	1
25	B9	28856CE	Wire Assembly	2

SERIES B9 CONTROL PANEL DETAIL



SERIES B9 WIRING DIAGRAM



We are a proud member of Accudyne Industries, a leading global provider of precision-engineered, process-critical, and technologically advanced flow control systems and industrial compressors. Delivering consistently high levels of performance, we enable customers in the most important industries and harshest environments around the world to accomplish their missions.



BPE BURT | PROCESS EQUIPMENT

**FOR SALES AND SUPPORT CALL
TOLL FREE 877-742-2878**

Return to BurtProcess.com

LMI® is a registered trademark of Milton Roy, LLC.
© 1998, 2015 Milton Roy, LLC.
Specification to change without notice.

info@lmipumps.com
www.lmipumps.com

