

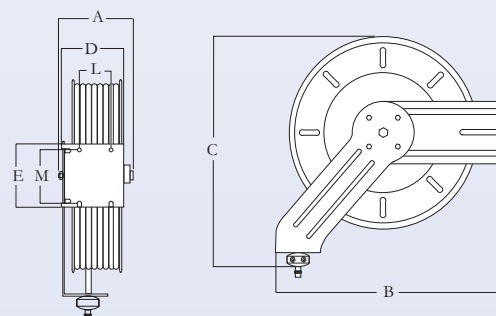


11212 A McCormick Road  
Hunt Valley, MD 21031

## Data Sheet, TIM-3616-65A Hose Reel (Advantage Plus Series)

Low Pressure (300 PSI), powder-coated, single-arm reel,  
3/8" x 65' delivery hose

- **HOSE:**
  - Working pressure, 300 PSI maximum
- **SHIPPING:**
  - One box
  - *Weight:* 53 pounds
  - *Dimensions:* 22.5" x 21" x 9"
- **COMPATIBILITY:**
  - Air
  - Water
  - Windshield Washer Solvent
- **MAXIMUM MOUNTING HEIGHT:**
  - 14' above floor
- **MOUNTING BASE HOLE PATTERN:**
  - 3.5" x 7.5"
  - Four holes for 3/8", Grade 5 hardware
- **THREADS:**
  - *Swivel:* 3/8" NPT (F x F)
  - *Delivery Hose:* 3/8" NPT (M x M)
- **WARRANTY (*Defects in material and workmanship, non-wear parts*):**
  - Five years for hardware
  - One year for hose
- **ACCESSORIES:**
  - TIM-3600-50, Slide-in mounting bracket. Four holes for 3/8", Grade 5 hardware
  - TIM-3600-CAB Single Cabinet Enclosure, TIM-3600-PAN End-Panel Kit, AIR-HP3838-4NS Connecting Hose
  - AIR-HP3838-2 Connecting Hose, 3/8" x 3/8" NPT (M x M), 300 PSI, 2' rubber hose
- **INSTALLATION RECOMMENDATIONS:**
  - Two parallel runs of, Kindorf Strut Channel affixed to steel roofing supports. Four each, 3/8", Grade 5 bolts, flat/lock washers and Kindorf Spring Nuts *per Kindorf pair*
  - Affix TIM-3600-50 bracket(s) to Kindorf pair. Four each, 3/8", Grade 5 bolts, flat/lock washers and Kindorf Spring Nuts *per bracket*. One foot bracket spacing
  - Typical mounting bolt specifications: Grade 5, 3/8-16, 1-1/2" (length as required)
  - Keep reel and associated plumbing away from heat sources
  - Plumbing, 1/2" diameter, K-Copper plumbing with copper or brass fittings
  - Three wraps Teflon tape followed by pipe dope



14' maximum mounting height

| A       | B       | C       | D      | E  | Mount L-M       |
|---------|---------|---------|--------|----|-----------------|
| 8-7/16" | 21-1/2" | 20-5/8" | 5-3/4" | 9" | 3-1/2" x 7-1/2" |