

# SALES AND ENGINEERING DATA

RATIO SERIES:	<b>1:1</b>
FLUID P.S.I. RANGE:	<b>20 - 120</b>

## SB20P-XXX-X, SB20R-XXX-X SHOCK BLOCKER® 2" NON-METALLIC PULSATION DAMPENER

RELEASED: 4-01-20  
(REV: A) S-1622

### SPECIFICATIONS

**Model Series** ..... SB20P-XXX-X, SB20R-XXX-X  
**Pulsation Dampener Type** ..... Non-Metallic  
**Material Inlet / Outlet**  
 SB20P-AXX-X ..... 2-11-1/2 NPTF-1  
 SB20P-BXX-X ..... Rp 2 (2-11 BSP parallel)  
 SB20P-FPS-X ..... 2" ANSI / DIN Flange Inlet and Outlet  
 SB20P-KPS-X ..... 2" ANSI / DIN Flange Fluid Inlet / NPTF Fluid Outlet  
 SB20P-LPS-X ..... 2" ANSI / DIN Flange Fluid Inlet / BSPP Fluid Outlet  
**Air Inlet (female)** ..... 3/4 -14 NPT  
**Air Exhaust (female)** ..... 1/8 - 27 NPT  
**Weight**  
 SB20P-AXX-X ..... 41 lbs (18.6 kgs)  
 SB20P-BXX-X ..... 41 lbs (18.6 kgs)  
 SB20P-EXX-X ..... 45 lbs (20.4 kgs)  
 SB20P-KXX-X ..... 43 lbs (19.5 kgs)  
 SB20P-LXX-X ..... 43 lbs (19.5 kgs)  
 [add 9 lbs SB20R-XXX-X configuration with stainless steel valve body]  
**Pulsation Dampener Service Kit** .... 637550-X

SB20P - XXX - <input checked="" type="checkbox"/> 637550 - <input checked="" type="checkbox"/> Diaphragm Example: Model # SB20P-BPS-G Pulsation Dampener Service Kit # 637550-G
---

### PERFORMANCE

**Maximum Air Inlet Pressure** ..... 120 psig (8.3 bar)  
**Maximum Material Inlet Pressure** ... 120 psig (8.3 bar)  
**Maximum Temperature Limits (diaphragm / seat material)**  
 E.P.R. / EPDM ..... -60° to 280° F (-51° to 138° C)  
 Nitrile ..... 10° to 180° F (-12° to 82° C)  
 Santoprene® ..... -40° to 225° F (-40° to 107° C)  
 PTFE ..... 40° to 225° F (4° to 107° C)  
 Viton® ..... -40° to 350° F (-40° to 177° C)  
**Maximum Fluid Volume**  
 SB20P-APS-X ..... 184 in.<sup>3</sup> (3.02 lit.)  
 SB20P-BPS-X ..... 184 in.<sup>3</sup> (3.02 lit.)  
 SB20P-FPS-X ..... 226 in.<sup>3</sup> (3.70 lit.)  
 SB20P-KPS-X ..... 206 in.<sup>3</sup> (3.38 lit.)  
 SB20P-LPS-X ..... 206 in.<sup>3</sup> (3.38 lit.)  
 [Volumes same for SB20R-XXX-X configuration]

#### 1-1/2" Pump % Reduction in Pulsation

Back Pressure (P.S.I.)	% Reduction in Pulsation		
	40	60	80
40	80%	70%	70%
60	80%	70%	70%
80	80%	70%	65%
100	80%	70%	70%
	1	20	40
	Flow (g.p.m.)		

#### 2" Pump % Reduction in Pulsation

Back Pressure (P.S.I.)	% Reduction in Pulsation		
	40	60	80
40	65%	55%	55%
60	70%	60%	60%
80	70%	55%	55%
100	60%	55%	55%
	3	30	70
	Flow (g.p.m.)		

### DIMENSIONAL DATA

Dimensions shown are for reference only, they are displayed in inches and millimeters (mm).

#### Model SB20P-APS-X, SB20P-BPS-X

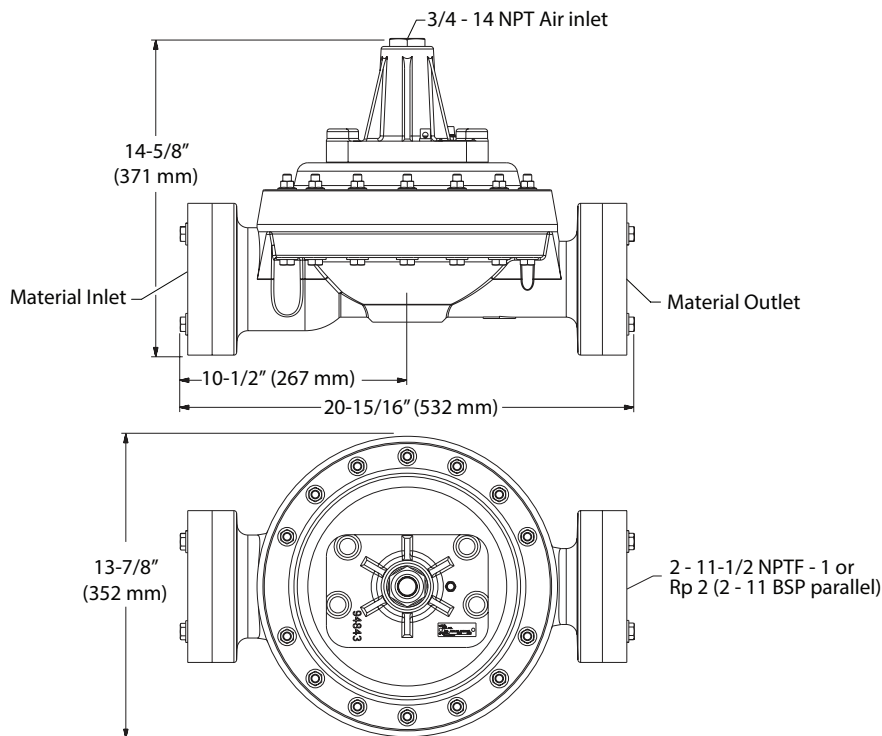
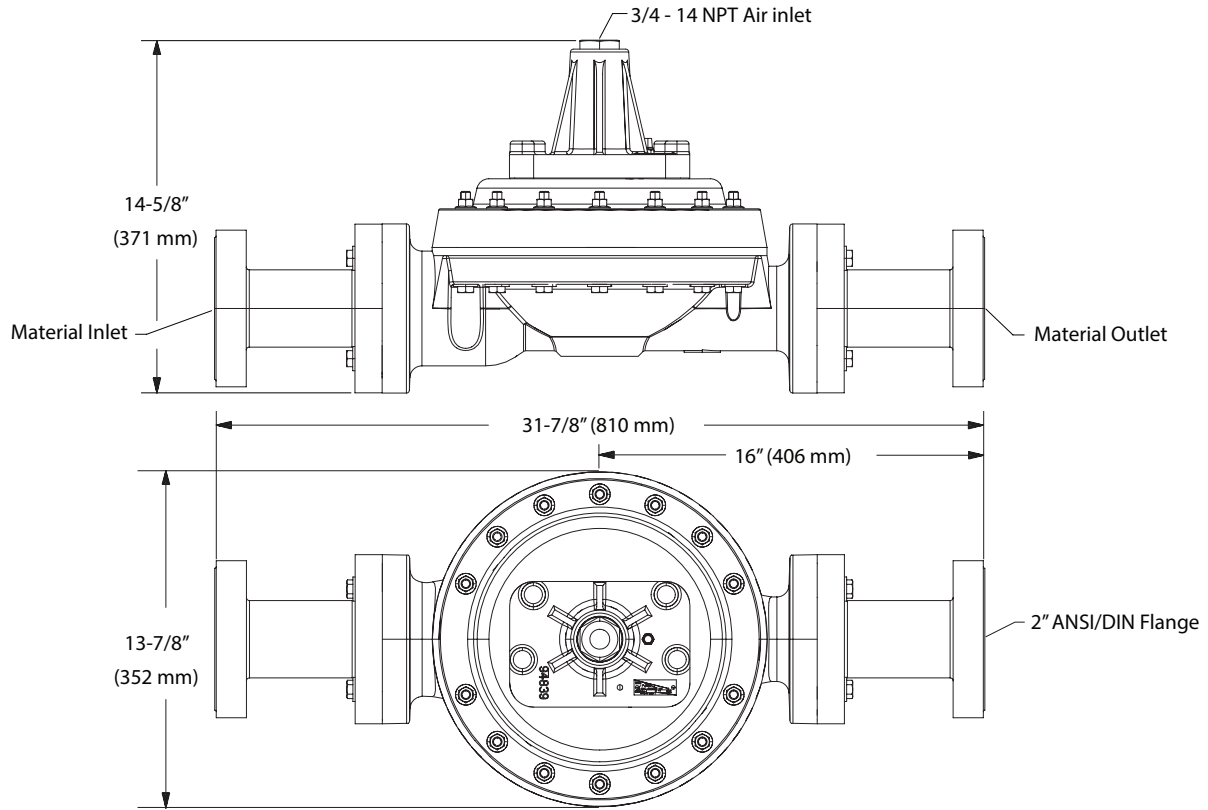


Figure 1

## DIMENSIONAL DATA

Dimensions shown are for reference only, they are displayed in inches and millimeters (mm).

### Model SB20P-FPS-X



### Model SB20P-KPS-X, SB20P-LPS-X

