



# ALBIN PUMP ALH

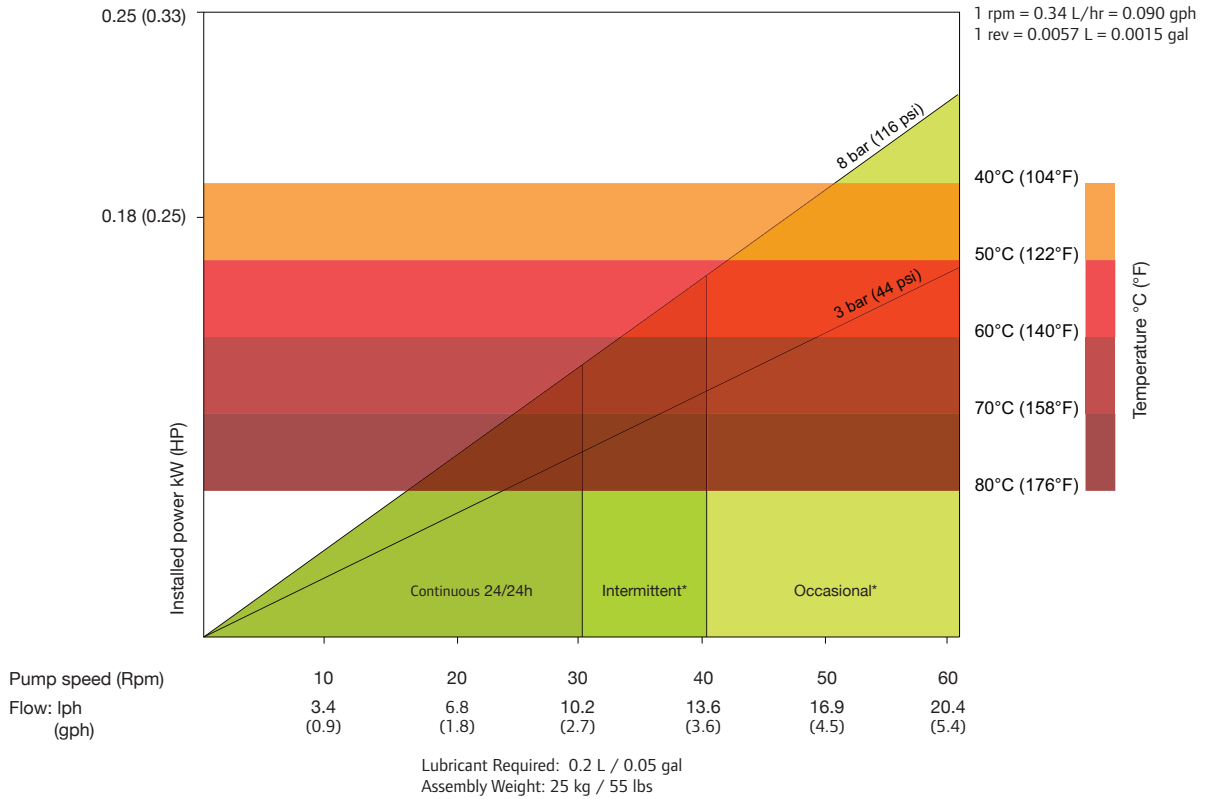
*Hose Pumps / Technical Data Sheet*





# ALH05

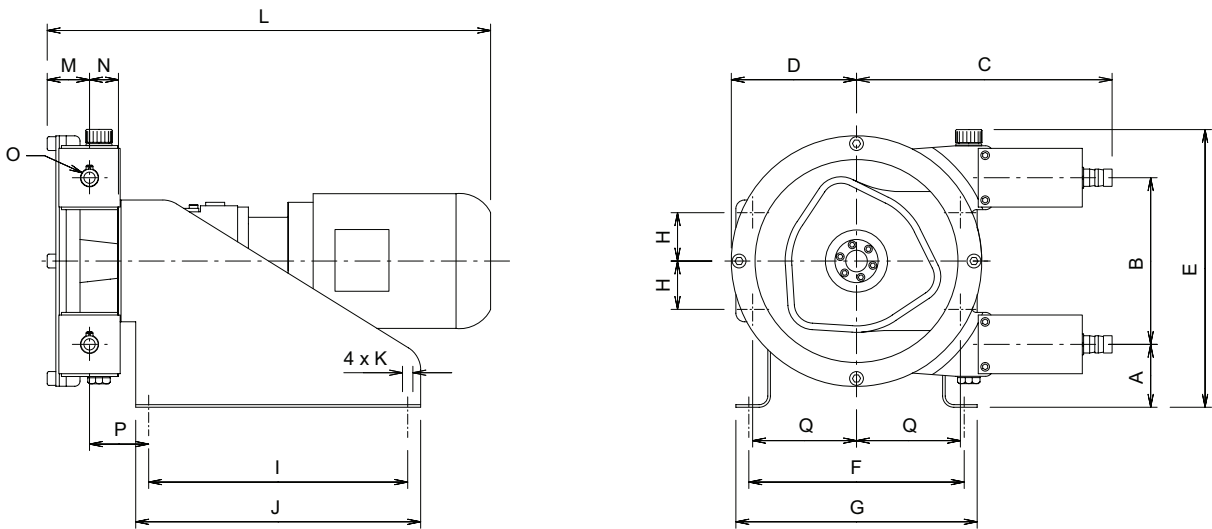
## 3 Lobes / Data Sheet



\*Intermittent use : minimum one hour stop after 2 hours run / \*Occasional use : maximum one hour a day

## DIMENSIONS

mm (Inch)



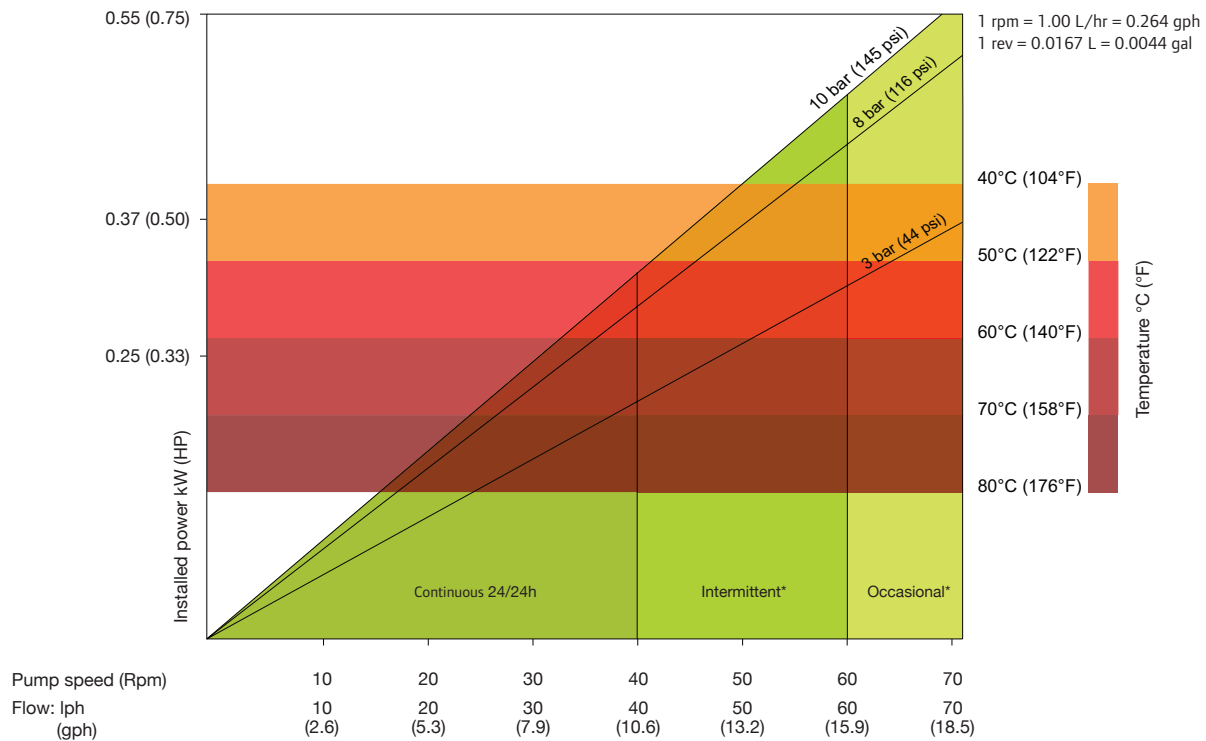
TYPE	A	B	C	D	E	F	G	H	I	J	K	L	M	N	ØO	P	Q
ALH05	104 (4.0)	115 (4.5)	226 (8.9)	95 (3.7)	271 (10.7)	220 (8.7)	240 (9.4)	33.5 (1.3)	260 (10.2)	280 (11.0)	4xø9 (4xø0.35)	-	42.5 (1.7)	36.5 (1.4)	16* (0.6)	66 (2.6)	81.3 (3.2)

\* Hose barb



# ALH10

## 3 Lobes / Data Sheet

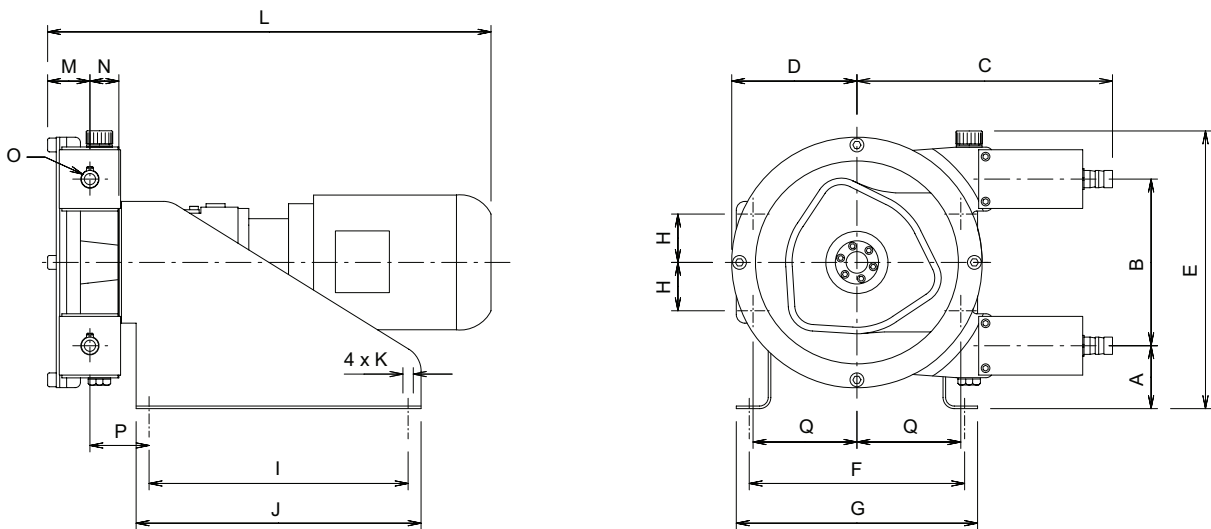


Lubricant Required: 0.2 L / 0.05 gal  
Assembly Weight: 25 kg / 55 lbs

\*Intermittent use : minimum one hour stop after 2 hours run / \*Occasional use : maximum one hour a day

### DIMENSIONS

mm (Inch)



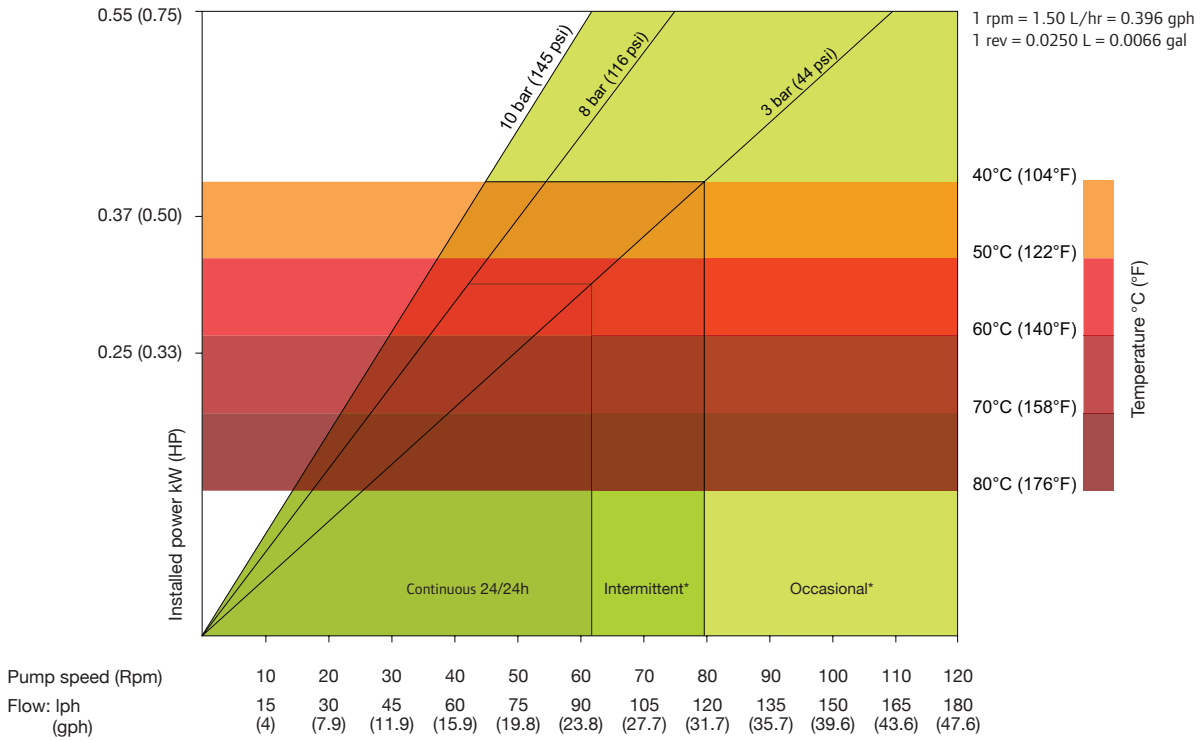
TYPE	A	B	C	D	E	F	G	H	I	J	K	L	M	N	ØO	P	Q
ALH10	104 (4.0)	115 (4.5)	226 (8.9)	95 (3.7)	271 (10.7)	220 (8.7)	240 (9.4)	33.5 (1.3)	260 (10.2)	280 (11.0)	4xø9 (4xø0.35)	-	42.5 (1.7)	36.5 (1.4)	16* (0.6)	66 (2.6)	81.3 (3.2)

\* Hose barb



# ALH10

## Data Sheet

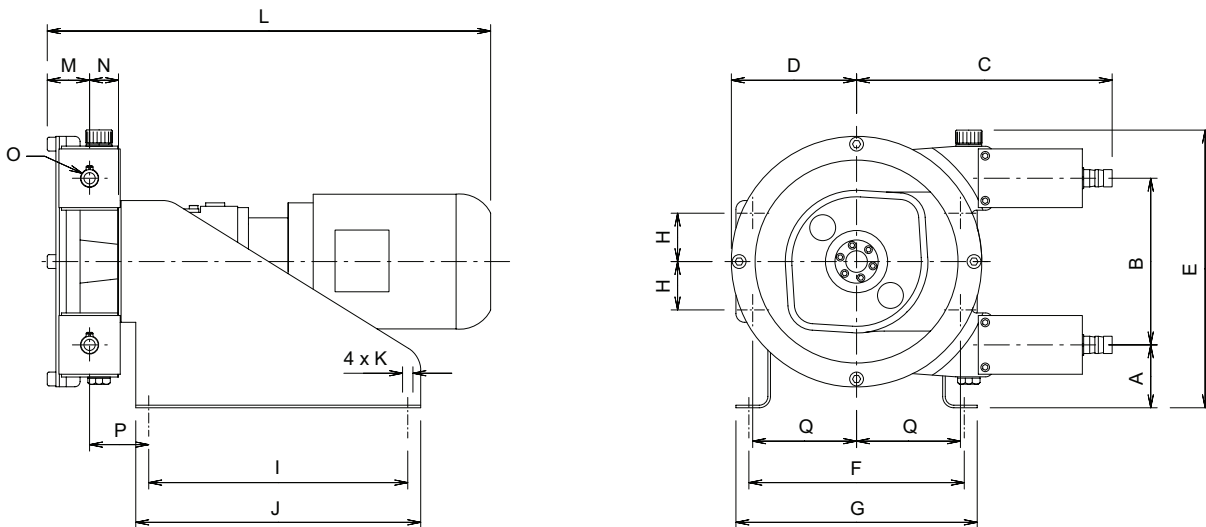


Lubricant Required: 0.2 L / 0.05 gal  
Assembly Weight: 25 kg / 55 lbs

\*Intermittent use : minimum one hour stop after 2 hours run / \*Occasional use : maximum one hour a day

## DIMENSIONS

mm (Inch)



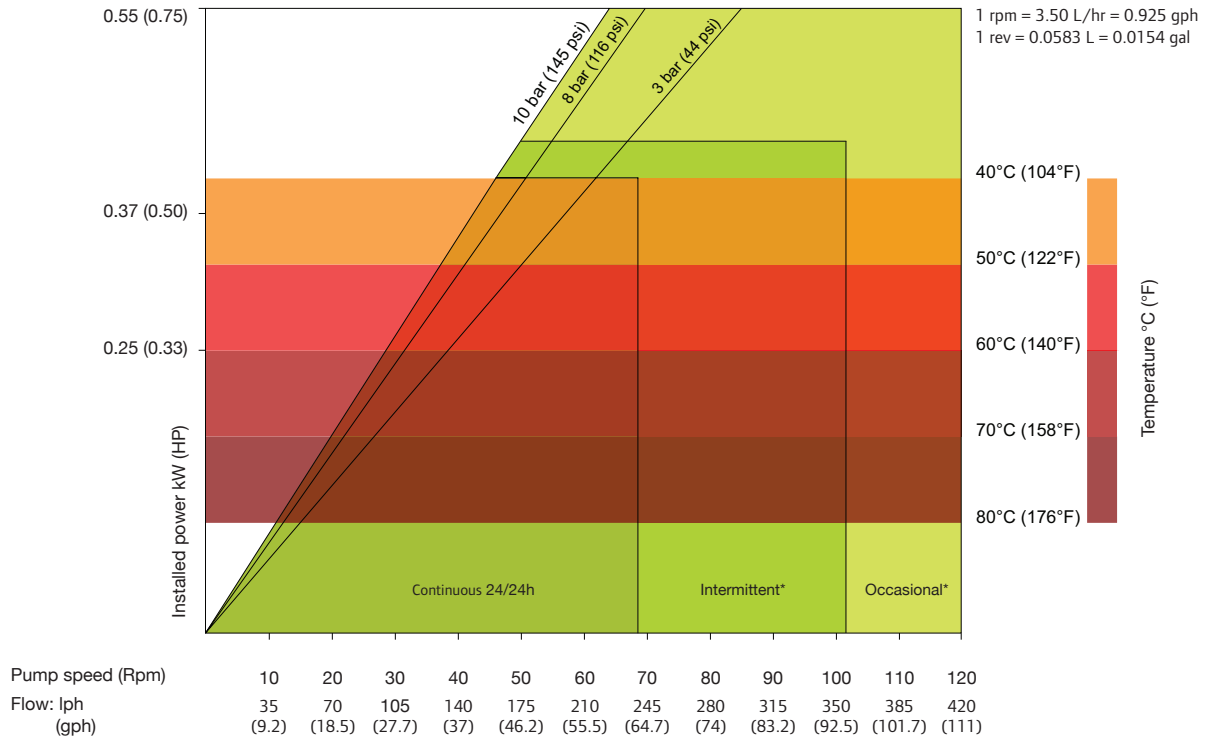
TYPE	A	B	C	D	E	F	G	H	I	J	K	L	M	N	ØO	P	Q
ALH10	104 (4.0)	115 (4.5)	226 (8.9)	95 (3.7)	271 (10.7)	220 (8.7)	240 (9.4)	33.5 (1.3)	260 (10.2)	280 (11.0)	4xø9 (4xø0.35)	-	42.5 (1.7)	36.5 (1.4)	16* (0.6)	66 (2.6)	81.3 (3.2)

\* Hose barb



# ALH15

## 3 Lobes / Data Sheet

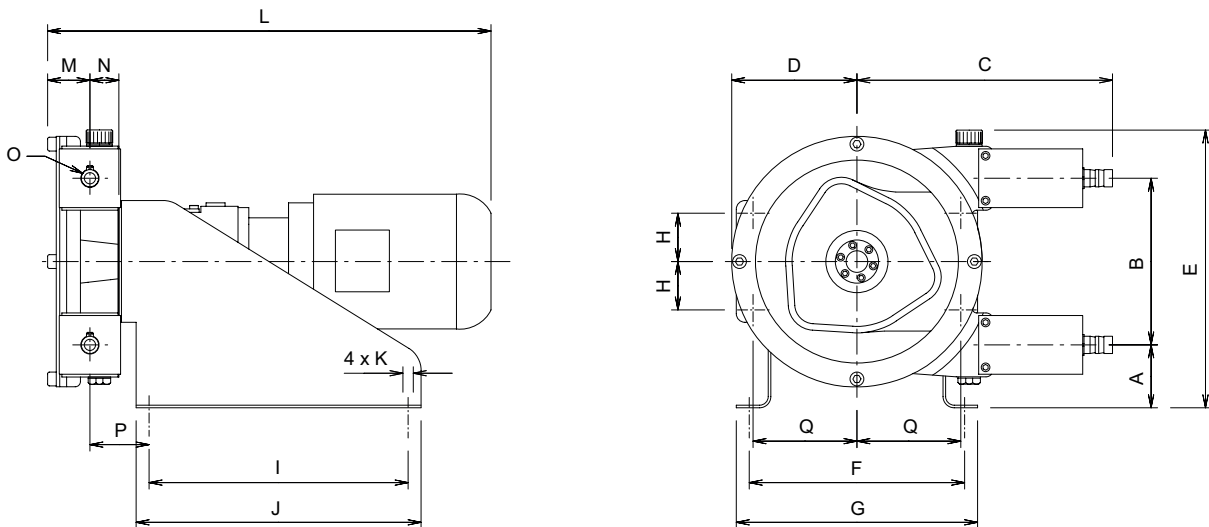


Lubricant Required: 0.55 L / 0.14 gal  
Assembly Weight: 35 kg / 77 lbs

\*Intermittent use : minimum one hour stop after 2 hours run / \*Occasional use : maximum one hour a day

### DIMENSIONS

mm (Inch)



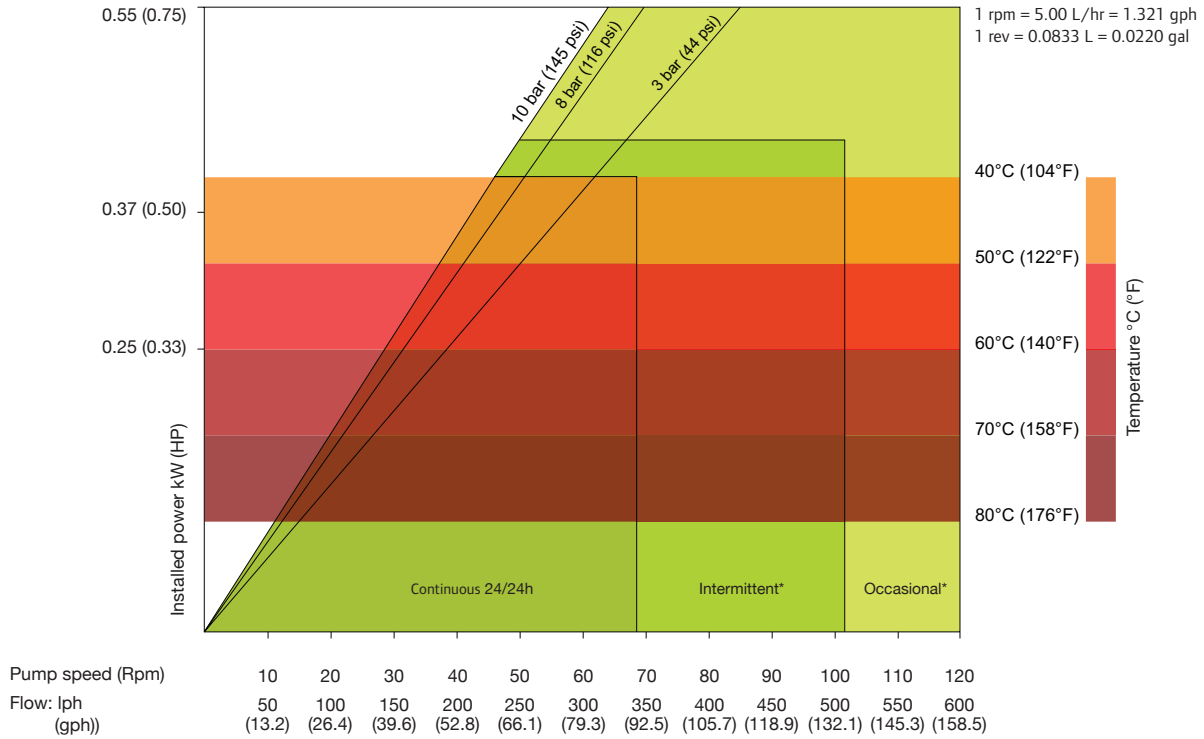
TYPE	A	B	C	D	E	F	G	H	I	J	K	L	M	N	ØO	P	Q
ALH15	73 (2.9)	193 (7.6)	297 (11.7)	145 (5.7)	325 (12.8)	249 (9.8)	280 (11.0)	52 (2.0)	300 (11.8)	330 (13.0)	4xø13 (4xø0.5)	-	46 (1.8)	35.5 (1.4)	20* (0.7)	70.5 (2.8)	124.8 (4.9)

\* Hose barb



# ALH15

## Data Sheet

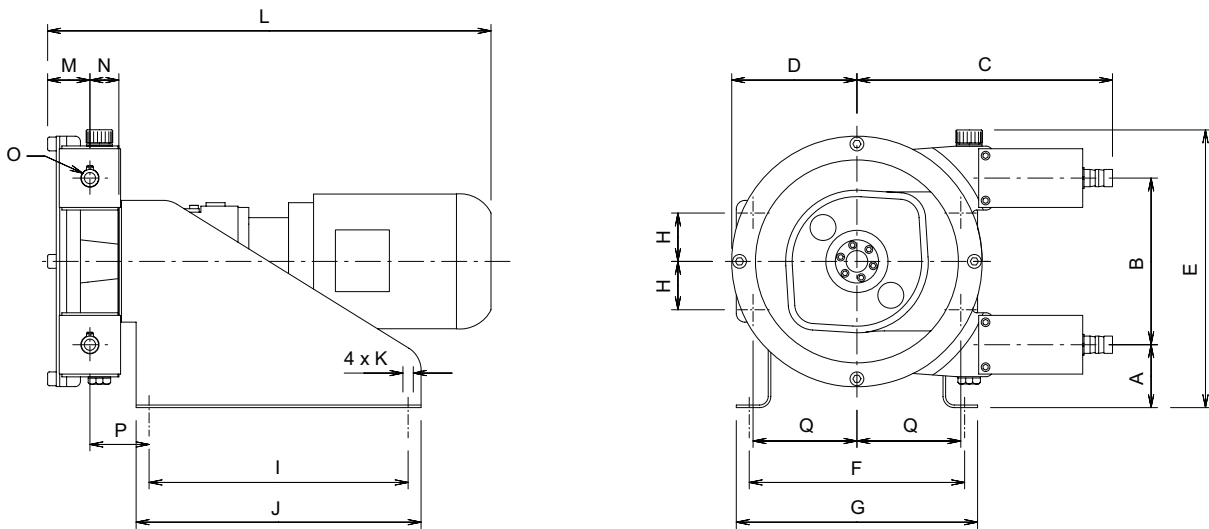


Lubricant Required: 0.55 L / 0.14 gal  
Assembly Weight: 35 kg / 77 lbs

\*Intermittent use : minimum one hour stop after 2 hours run / \*Occasional use : maximum one hour a day

## DIMENSIONS

mm (Inch)



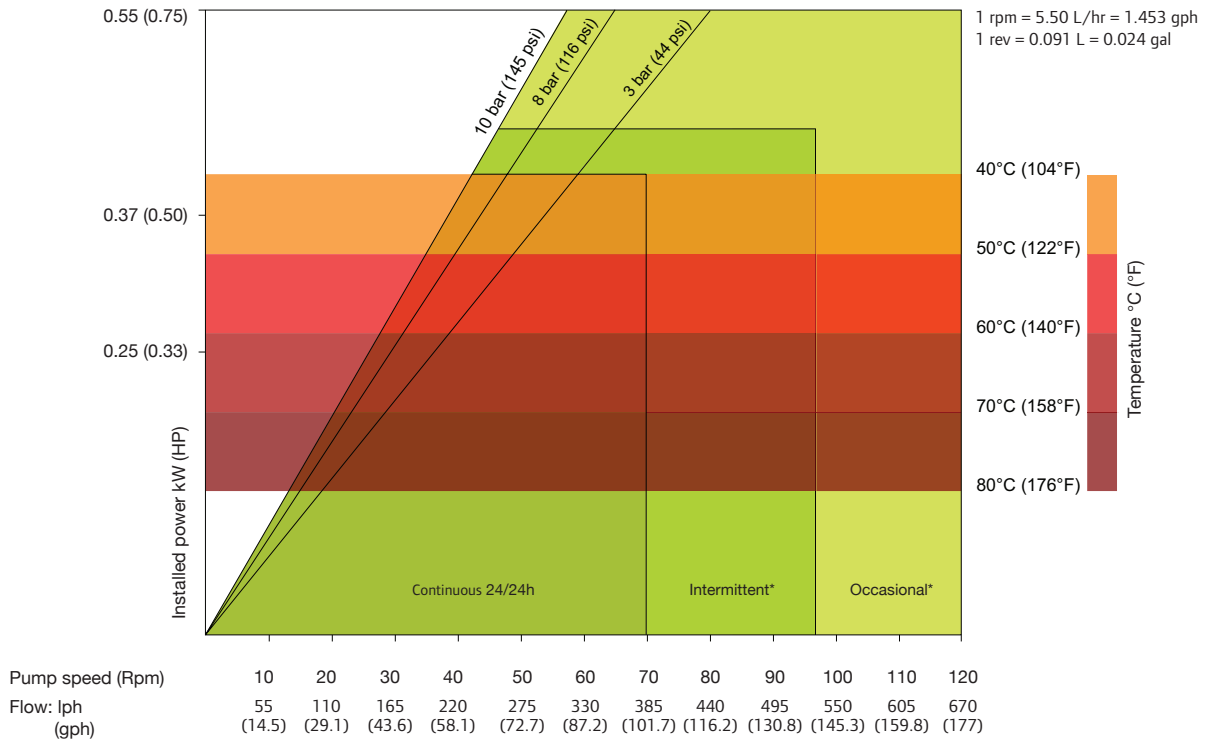
TYPE	A	B	C	D	E	F	G	H	I	J	K	L	M	N	∅O	P	Q
ALH15	73 (2.9)	193 (7.6)	297 (11.7)	145 (5.7)	325 (12.8)	249 (9.8)	280 (11.0)	52 (2.0)	300 (11.8)	330 (13.0)	4xø13 (4xø0.5)	-	46 (1.8)	35.5 (1.4)	20* (0.7)	70.5 (2.8)	124.8 (4.9)

\* Hose barb



# ALH20

## 3 Lobes / Data Sheet

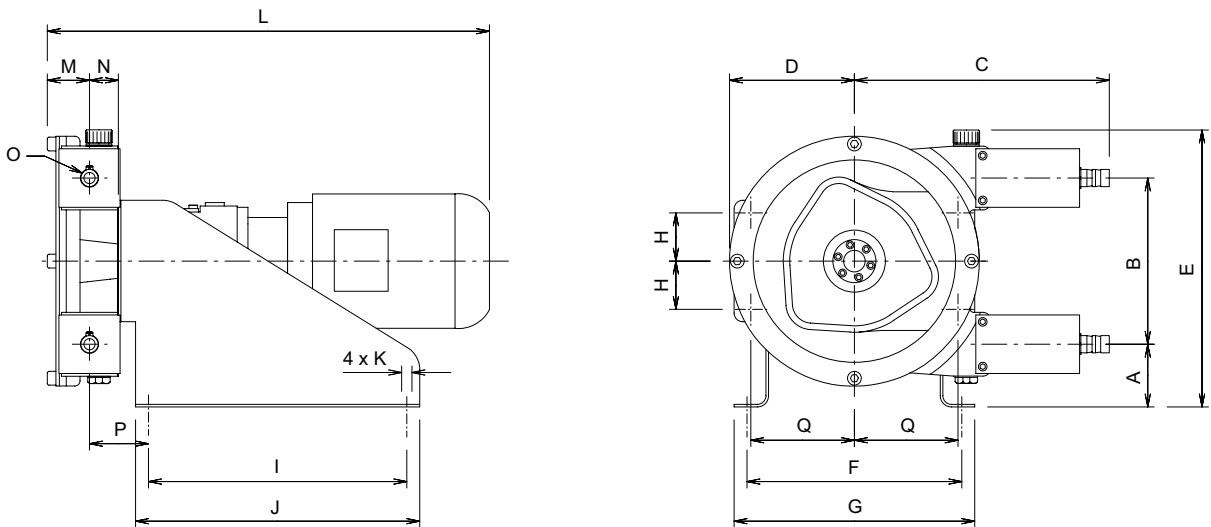


Lubricant Required: 0.55 L / 0.14 gal  
Assembly Weight: 35 kg / 77 lbs

\*Intermittent use : minimum one hour stop after 2 hours run / \*Occasional use : maximum one hour a day

## DIMENSIONS

mm (Inch)



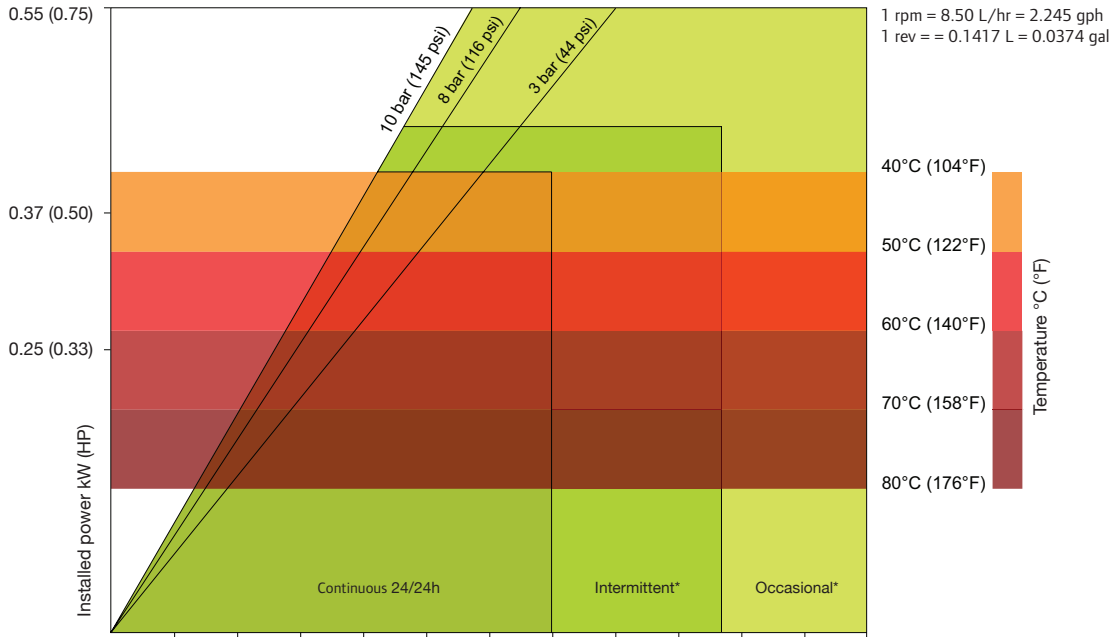
TYPE	A	B	C	D	E	F	G	H	I	J	K	L	M	N	∅O	P	Q
ALH20	73 (2.9)	193 (7.6)	297 (11.7)	145 (5.7)	325 (12.8)	249 (9.8)	280 (11.0)	52 (2.0)	300 (11.8)	330 (13.0)	4x∅13 (4x∅0.5)	-	46 (1.8)	35.5 (1.4)	25* (1.0)	70.5 (2.8)	124.8 (4.9)

\* Hose barb



# ALH20

## Data Sheet



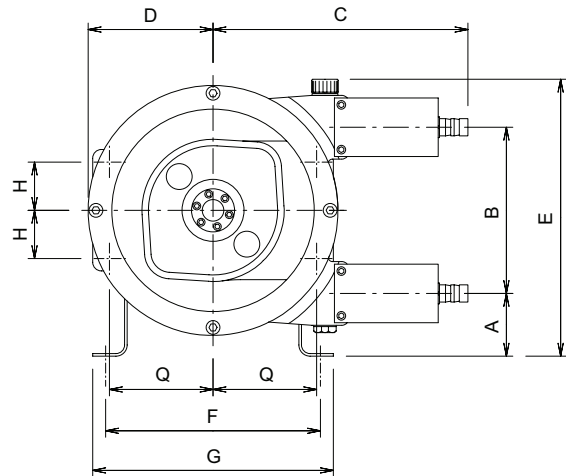
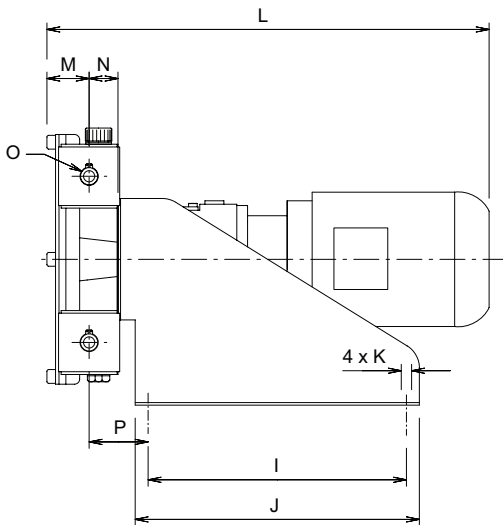
Pump speed (Rpm)	10	20	30	40	50	60	70	80	90	100	110	120
Flow: lph (gph)	85 (22.5)	170 (44.9)	255 (67.4)	340 (89.8)	425 (112.3)	510 (134.7)	595 (157.2)	680 (179.6)	765 (202.1)	850 (224.5)	935 (247)	1020 (269.5)

Lubricant Required: 0.55 L / 0.14 gal  
Assembly Weight: 35 kg / 77 lbs

\*Intermittent use : minimum one hour stop after 2 hours run / \*Occasional use : maximum one hour a day

## DIMENSIONS

mm (Inch)



TYPE	A	B	C	D	E	F	G	H	I	J	K	L	M	N	ØO	P	Q
ALH20	73 (2.9)	193 (7.6)	297 (11.7)	145 (5.7)	325 (12.8)	249 (9.8)	280 (11.0)	52 (2.0)	300 (11.8)	330 (13.0)	4xø13 (4xø0.5)	-	46 (1.8)	35.5 (1.4)	25* (1.0)	70.5 (2.8)	124.8 (4.9)

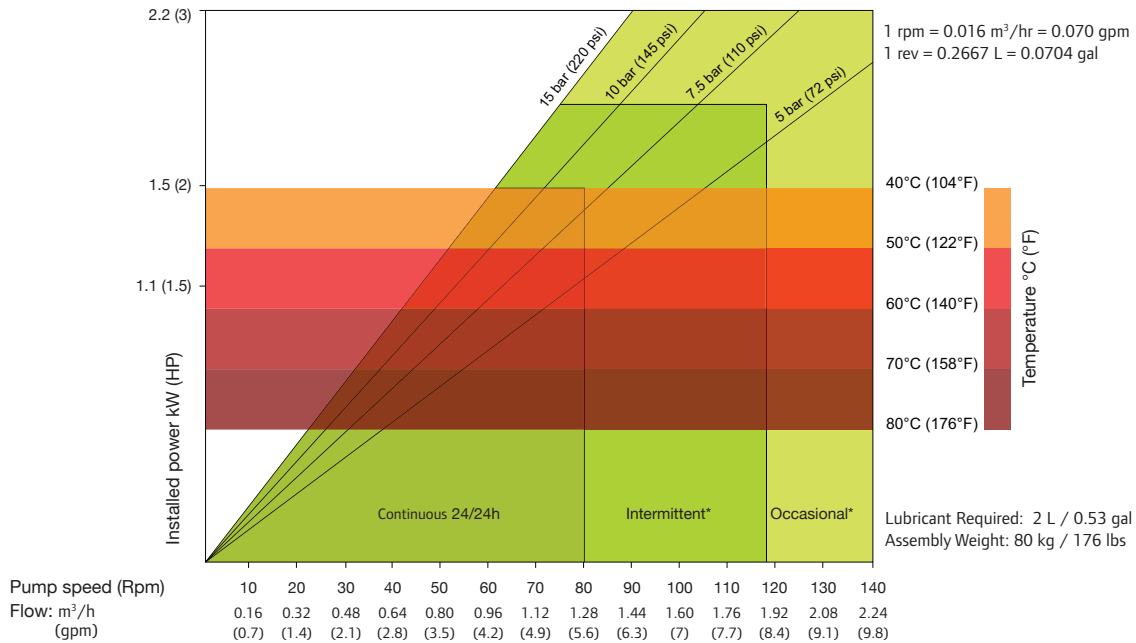
\* Hose barb





# ALH25

## Data Sheet



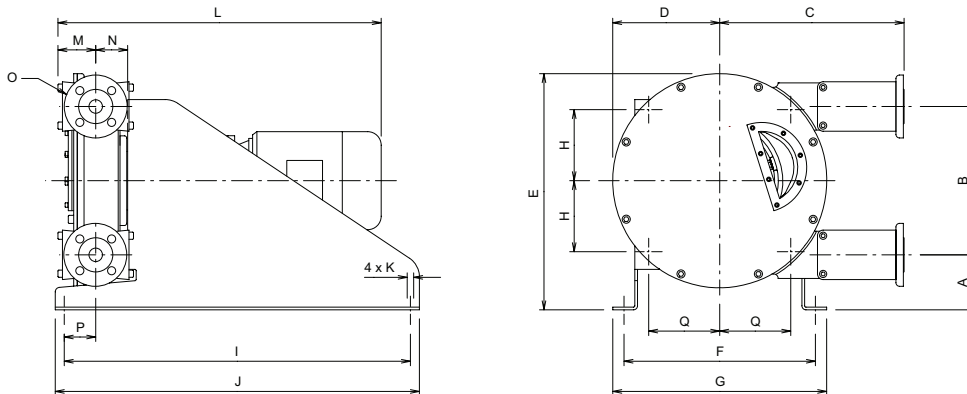
\*Intermittent use : minimum one hour stop after 2 hours run / \*Occasional use : maximum one hour a day

SHOE SHIMMING TABLE - ALH25		
Pressure bar (psi)	Speed - Rpm	Number of shims* - thickness 0.5 mm (0.019 in)
$\Delta P \leq 5$ (72.5)	0 to 40	0
	40 to 160	0
$5$ (72.5) $\leq \Delta P \leq 7.5$ (108.75)	0 to 40	2
	40 to 125	1
$7.5$ (108.75) $\leq \Delta P \leq 10$ (145)	0 to 40	3
	40 to 105	2
$10$ (145) $\leq \Delta P \leq 15$ (217.5)	0 to 40	4
	40 to 90	3

\*Remove one shim if temperature exceeds 60° Celsius (140° Fahrenheit)

### DIMENSIONS

mm (Inch)

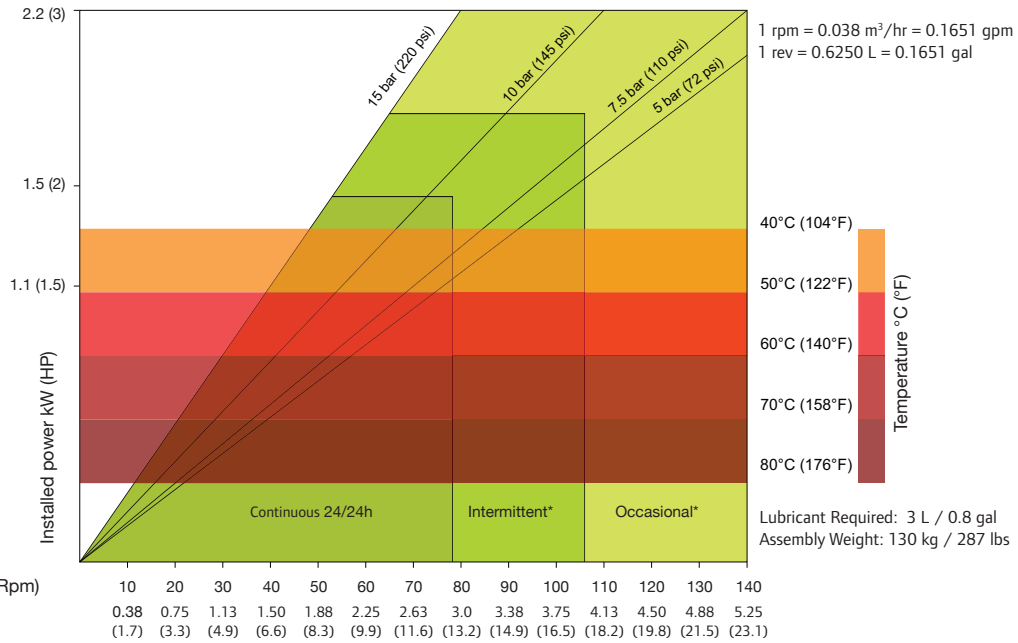


TYPE	A	B	C	D	E	F	G	H	I	J	K	L	M	N	O	P	Q
ALH25	95 (3.7)	262 (10.3)	356 (14.0)	134 (5.3)	430 (17)	307 (12.0)	347 (13.7)	110 (4.3)	520 (20.5)	550 (21.6)	4xø13 (4xø0.5)	-	62 (2.4)	62 (2.4)	DN25 PN16 ANSI 1 in / 150#	71 (2.8)	110 (4.3)



# ALH32

## Data Sheet



\*Intermittent use : minimum one hour stop after 2 hours run / \*Occasional use : maximum one hour a day

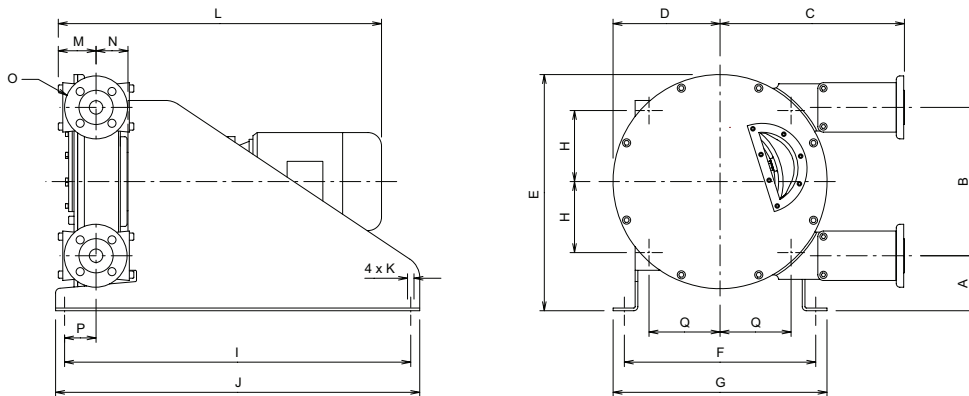
SHOE SHIMMING TABLE - ALH32

Pressure bar (psi)	Speed - Rpm	Number of shims* - thickness 0.5 mm (0.019 in)
$\Delta P \leq 5$ (72.5)	0 to 45	0
	45 to 140	0
$5$ (72.5) $\leq \Delta P \leq 7.5$ (108.75)	0 to 45	2
	45 to 140	1
$7.5$ (108.75) $\leq \Delta P \leq 10$ (145)	0 to 45	3
	45 to 110	2
$10$ (145) $\leq \Delta P \leq 15$ (217.5)	0 to 45	4
	45 to 80	3

\*Remove one shim if temperature exceeds 60° Celsius (140° Fahrenheit)

## DIMENSIONS

mm (Inch)

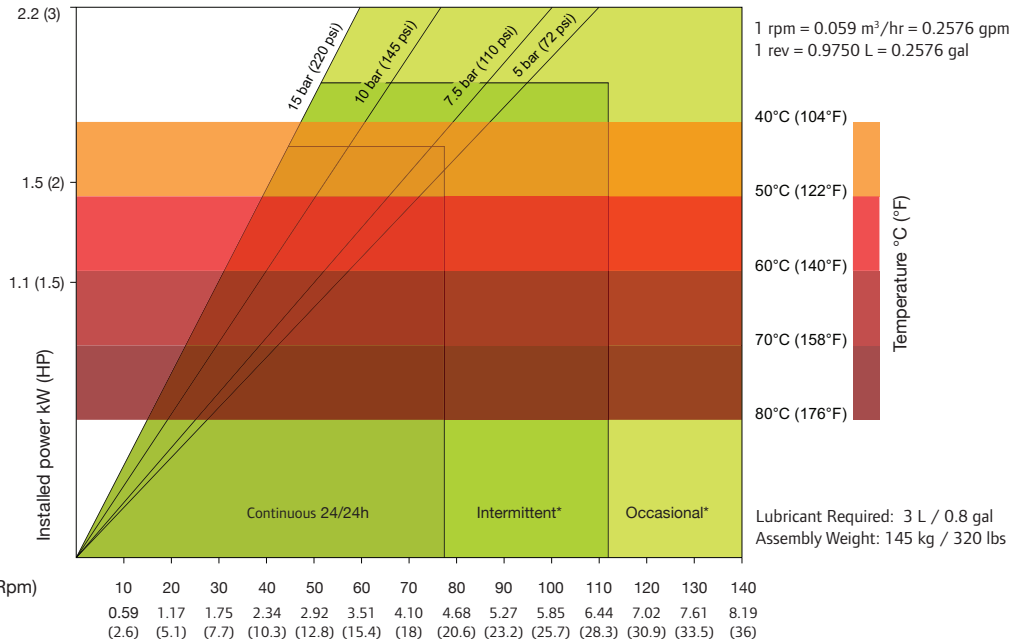


TYPE	A	B	C	D	E	F	G	H	I	J	K	L	M	N	O	P	Q
ALH32	121 (4.8)	330 (13.0)	438 (17.2)	237 (9.3)	524 (20.6)	424 (16.7)	474 (18.7)	158 (6.2)	770 (30.3)	800 (31.5)	4xø13 (4xø0.5)	-	85 (3.3)	75 (2.9)	DN32 PN16 ANSI 1.25 in / 150#	91.5 (3.6)	158 (6.2)



# ALH40

## Data Sheet



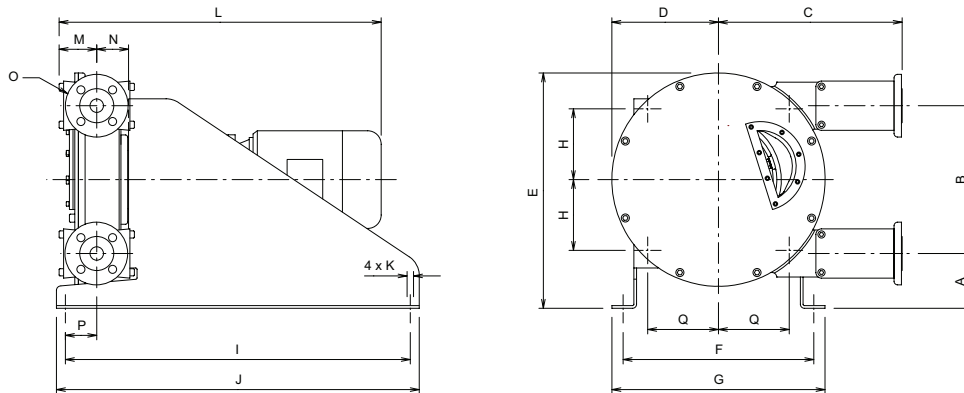
\*Intermittent use : minimum one hour stop after 2 hours run / \*Occasional use : maximum one hour a day

SHOE SHIMMING TABLE - ALH40		
Pressure bar (psi)	Speed - Rpm	Number of shims* - thickness 0.5 mm (0.019 in)
$\Delta P \leq 5$ (72.5)	0 to 40	0
	40 to 160	0
$5$ (72.5) $\leq \Delta P \leq 7.5$ (108.75)	0 to 40	2
	40 to 125	1
$7.5$ (108.75) $\leq \Delta P \leq 10$ (145)	0 to 40	3
	40 to 105	2
$10$ (145) $\leq \Delta P \leq 15$ (217.5)	0 to 40	4
	40 to 90	3

\*Remove one shim if temperature exceeds 60° Celsius (140° Fahrenheit)

## DIMENSIONS

mm (Inch)

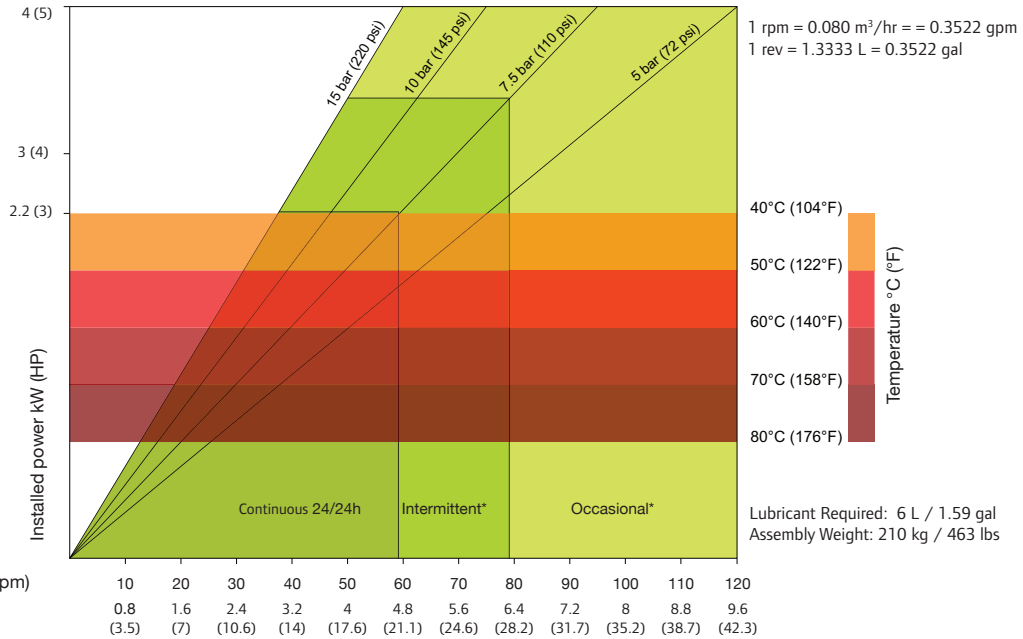


TYPE	A	B	C	D	E	F	G	H	I	J	K	L	M	N	O	P	Q
ALH40	121 (4.8)	330 (13.0)	438 (17.2)	237 (9.3)	524 (20.6)	424 (16.7)	474 (18.7)	158 (6.2)	770 (30.3)	800 (31.5)	4xø13 (4xø0.5)	-	85 (3.3)	75 (2.9)	DN40 PN16 ANSI 1.5 in / 150#	91.5 (3.6)	158 (6.2)



# ALHX40

## Data Sheet



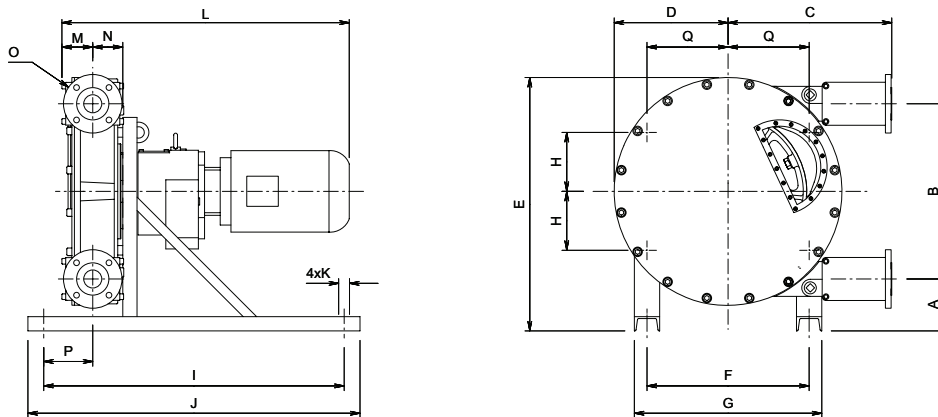
\*Intermittent use : minimum one hour stop after 2 hours run / \*Occasional use : maximum one hour a day

SHOE SHIMMING TABLE - ALHX40		
Pressure bar (psi)	Speed - Rpm	Number of shims* - thickness 0.5 mm (0.019 in)
$\Delta P \leq 5$ (72.5)	0 to 40	0
	40 to 120	0
$5$ (72.5) $\leq \Delta P \leq 7.5$ (108.75)	0 to 40	2
	40 to 95	1
$7.5$ (108.75) $\leq \Delta P \leq 10$ (145)	0 to 40	3
	40 to 75	2
$10$ (145) $\leq \Delta P \leq 15$ (217.5)	0 to 40	4
	40 to 60	3

\*Remove one shim if temperature exceeds 60° Celsius (140° Fahrenheit)

## DIMENSIONS

mm (Inch)

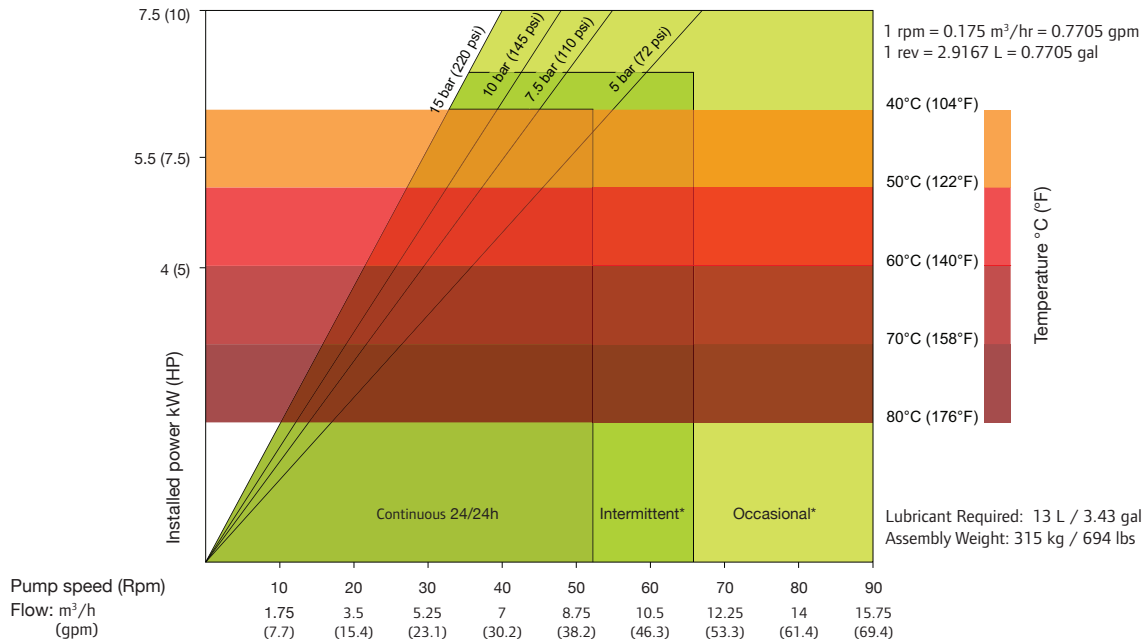


TYPE	A	B	C	D	E	F	G	H	I	J	K	L	M	N	O	P	Q
ALHX40	110 (4.3)	430 (16.9)	414 (16.3)	294 (11.6)	619 (24.4)	340 (13.4)	420 (16.5)	159.4 (6.3)	850 (33.5)	950 (37.4)	4xø19 (4xø0.7)	-	74 (2.9)	64 (2.5)	DN40 PN16 ANSI 1.5 in / 150#	87 (3.4)	159.4 (6.3)



# ALH50

## Data Sheet



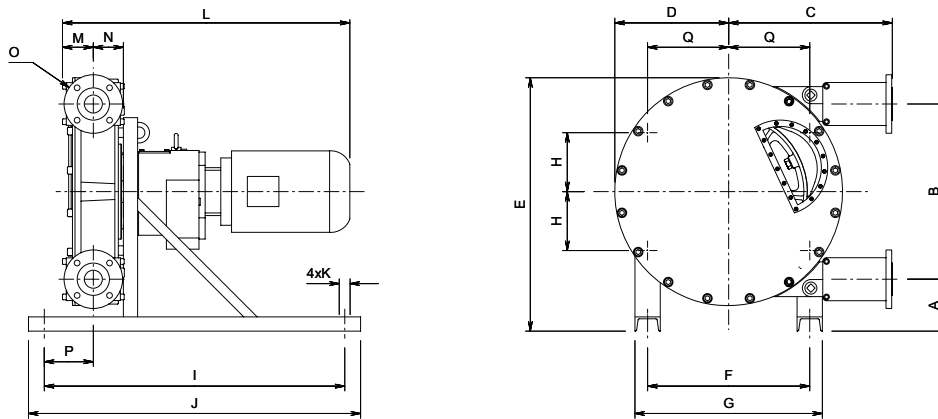
\*Intermittent use : minimum one hour stop after 2 hours run / \*Occasional use : maximum one hour a day

SHOE SHIMMING TABLE - ALH50		
Pressure bar (psi)	Speed - Rpm	Number of shims* - thickness 0.5 mm (0.019 in)
ΔP ≤ 5 (72.5)	0 to 30	0
	30 to 90	0
5 (72.5) ≤ ΔP ≤ 7.5 (108.75)	0 to 30	2
	30 to 65	1
7.5 (108.75) ≤ ΔP ≤ 10 (145)	0 to 30	3
	30 to 50	2
10 (145) ≤ ΔP ≤ 15 (217.5)	0 to 30	4
	30 to 42	3

\*Remove one shim if temperature exceeds 60° Celsius (140° Fahrenheit)

### DIMENSIONS

mm (Inch)

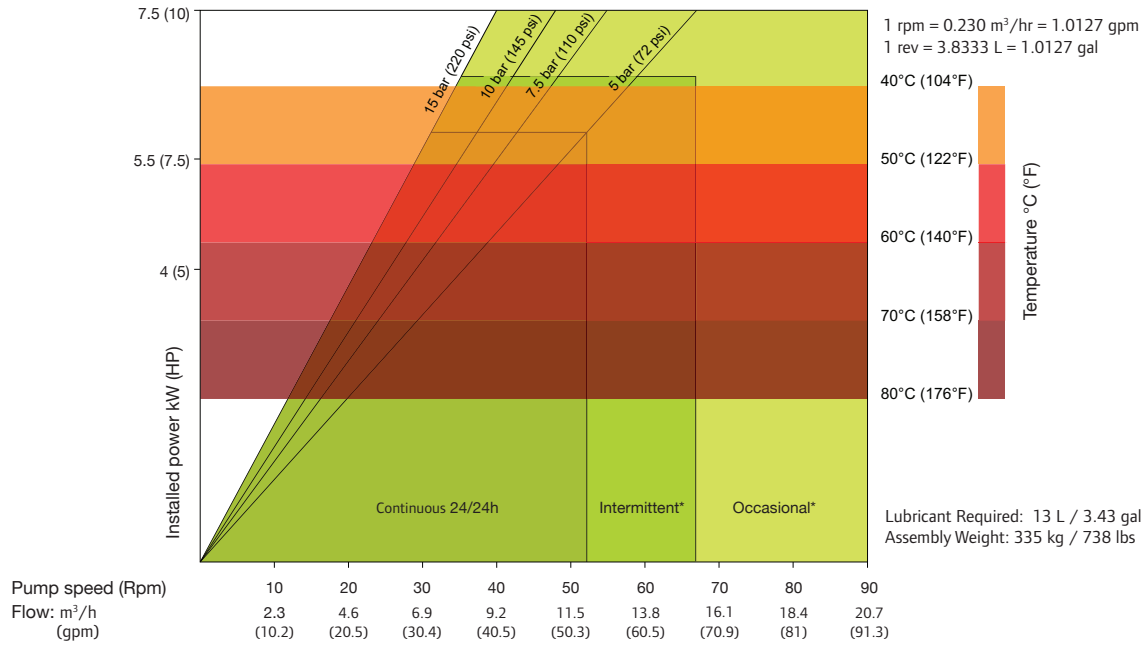


TYPE	A	B	C	D	E	F	G	H	I	J	K	L	M	N	O	P	Q
ALH50	164 (6.4)	554 (21.8)	522 (20.5)	360 (14.2)	801 (31.5)	513 (20.2)	593 (23.3)	257 (10.1)	950 (37.4)	1050 (41.3)	4xø19 (4xø0.7)	-	99.5 (3.91)	87.6 (3.4)	DN50 PN16 ANSI 2 in / 150#	148 (5.8)	186.5 (7.3)



# ALH65

## Data Sheet



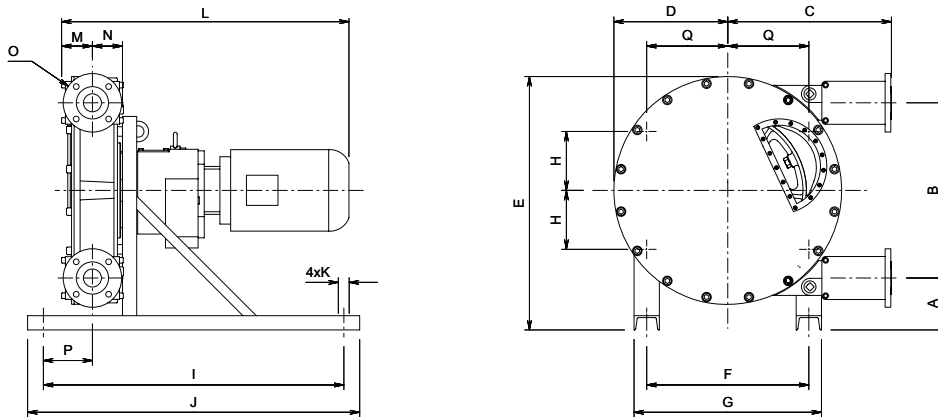
\*Intermittent use : minimum one hour stop after 2 hours run / \*Occasional use : maximum one hour a day

SHOE SHIMMING TABLE - ALH65		
Pressure bar (psi)	Speed - Rpm	Number of shims* - thickness 0.5 mm (0.019 in)
$\Delta P \leq 5$ (72.5)	0 to 30	0
	30 to 90	0
$5$ (72.5) $\leq \Delta P \leq 7.5$ (108.75)	0 to 30	2
	30 to 55	1
$7.5$ (108.75) $\leq \Delta P \leq 10$ (145)	0 to 30	3
	30 to 47.5	2
$10$ (145) $\leq \Delta P \leq 15$ (217.5)	0 to 30	4
	30 to 40	3

\*Remove one shim if temperature exceeds 60° Celsius (140° Fahrenheit)

## DIMENSIONS

mm (Inch)

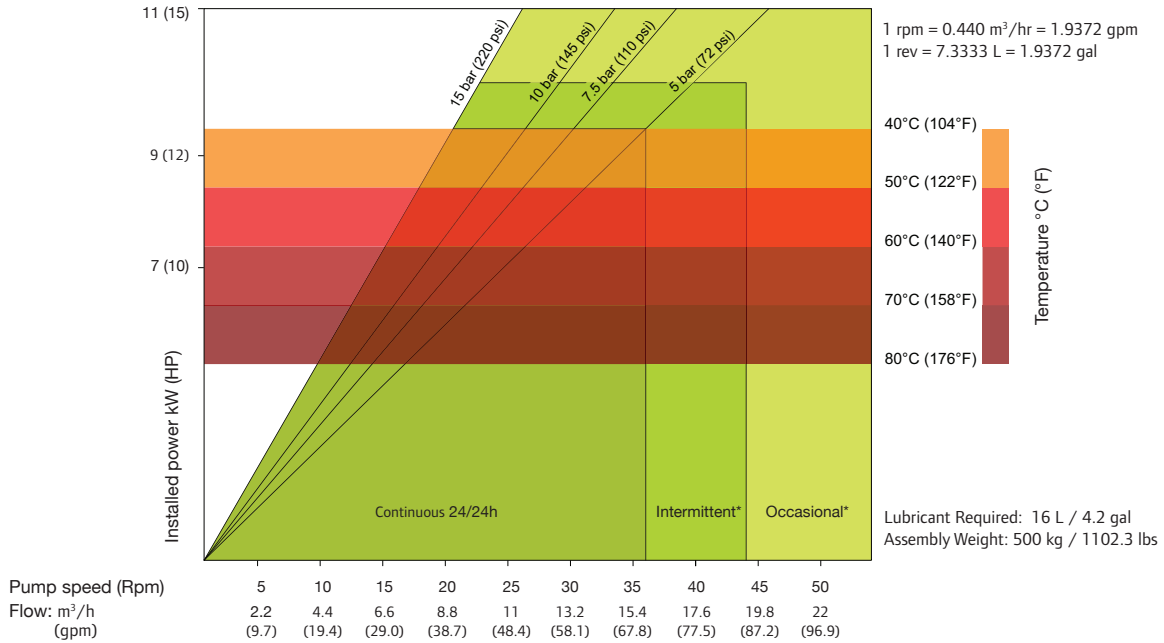


TYPE	A	B	C	D	E	F	G	H	I	J	K	L	M	N	O	P	Q
ALH65	164 (6.4)	554 (21.8)	522 (20.5)	360 (14.2)	801 (31.5)	513 (20.2)	593 (23.3)	257 (10.1)	950 (37.4)	1050 (41.3)	4xø19 (4xø0.7)	-	99.5 (3.91)	87.6 (3.4)	DN65 PN16 ANSI 2.5 in / 150#	148 (5.8)	186.5 (7.3)



# ALHX65

## Data Sheet



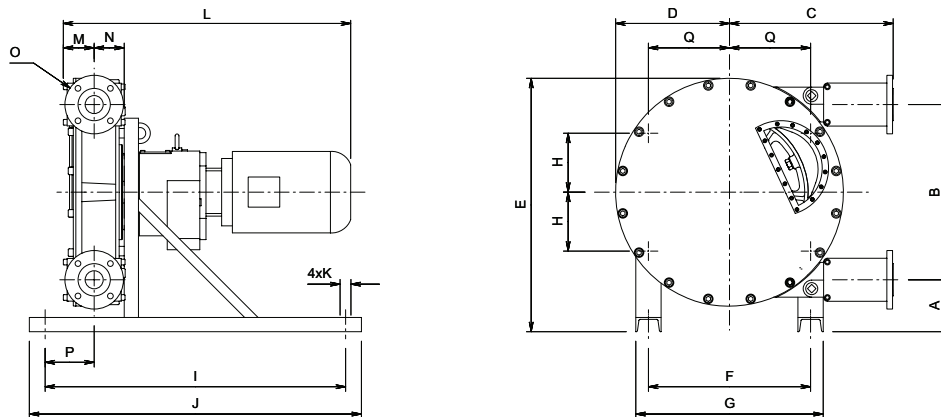
\*Intermittent use : minimum one hour stop after 2 hours run / \*Occasional use : maximum one hour a day

SHOE SHIMMING TABLE - ALHX65		
Pressure bar (psi)	Speed - Rpm	Number of shims* - thickness 0.5 mm (0.019 in)
ΔP ≤ 5 (72.5)	0 to 25	0
	25 to 65	0
5 (72.5) ≤ ΔP ≤ 7.5 (108.75)	0 to 25	2
	25 to 46	1
7.5 (108.75) ≤ ΔP ≤ 10 (145)	0 to 25	3
	25 to 40	2
10 (145) ≤ ΔP ≤ 15 (217.5)	0 to 25	4
	25 to 31	3

\*Remove one shim if temperature exceeds 60° Celsius (140° Fahrenheit)

## DIMENSIONS

mm (Inch)

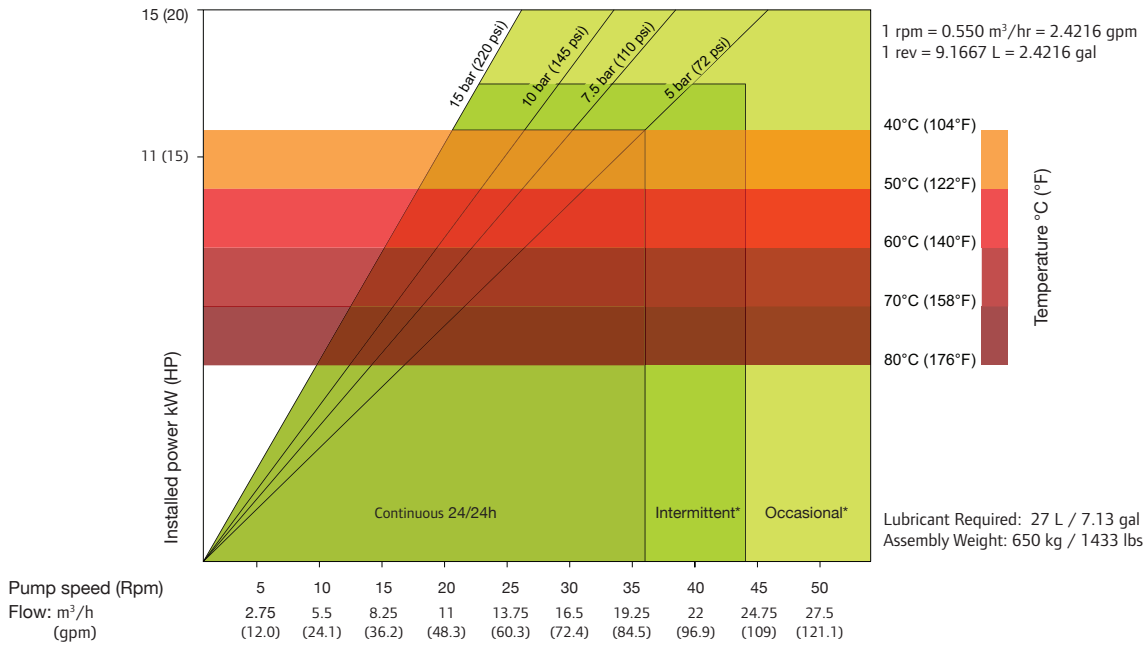


TYPE	A	B	C	D	E	F	G	H	I	J	K	L	M	N	O	P	Q
ALHX65	143 (5.6)	597 (23.5)	598 (23.5)	390 (15.3)	831 (32.7)	513 (20.1)	593 (23.3)	186 (7.3)	950 (37.4)	1050 (41.3)	4xø19 (4xø0.7)	-	113 (4.4)	113 (4.4)	DN65 PN16 ANSI 2.5 in / 150#	136 (5.3)	256 (10.0)



# ALHX80

## Data Sheet



\*Intermittent use : minimum one hour stop after 2 hours run / \*Occasional use : maximum one hour a day

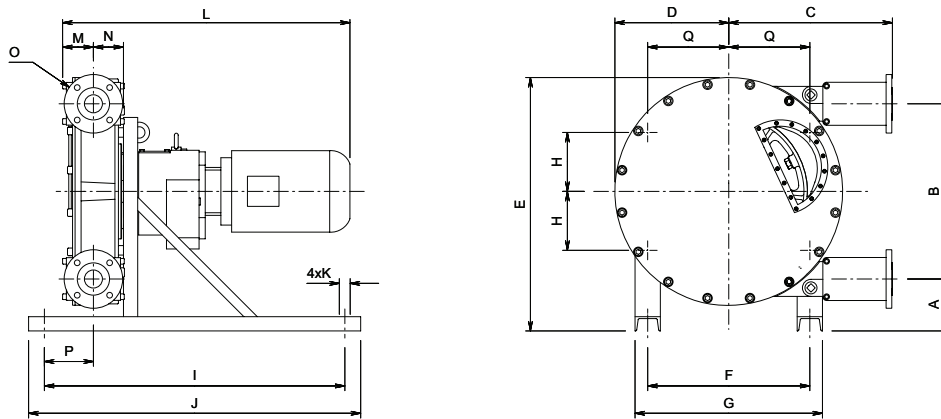
SHOE SHIMMING TABLE - ALHX80

Pressure bar (psi)	Speed - Rpm	Number of shims* - thickness 0.5 mm (0.019 in)
$\Delta P \leq 5$ (72.5)	0 to 25	0
	25 to 65	0
$5$ (72.5) $\leq \Delta P \leq 7.5$ (108.75)	0 to 25	2
	25 to 46	1
$7.5$ (108.75) $\leq \Delta P \leq 10$ (145)	0 to 25	3
	25 to 40	2
$10$ (145) $\leq \Delta P \leq 15$ (217.5)	0 to 25	4
	25 to 31	3

\*Remove one shim if temperature exceeds 60° Celsius (140° Fahrenheit)

## DIMENSIONS

mm (Inch)



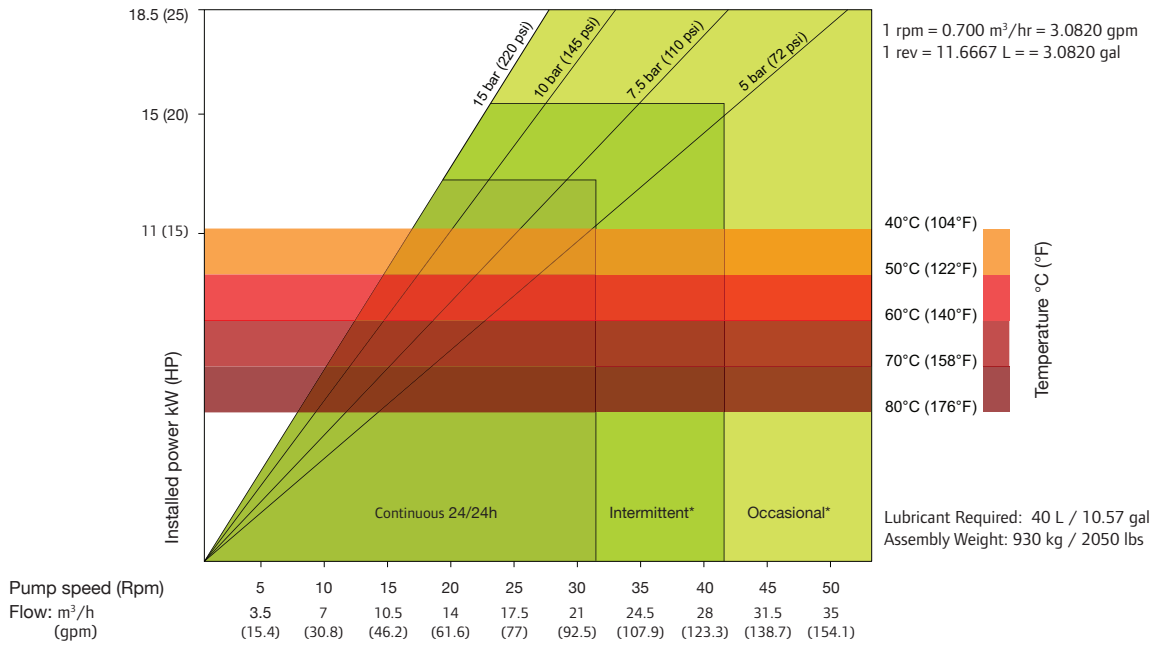
TYPE	A	B	C	D	E	F	G	H	I	J	K	L	M	N	O	P	Q
ALHX80	158 (6.2)	746 (29.4)	609 (24)	473 (18.6)	1004 (39.5)	580 (22.8)	680 (26.8)	290 (11.4)	1150 (45.2)	1250 (49.2)	4xø19 (4xø0.7)	-	108 (4.2)	108 (4.2)	DN80 PN16 ANSI 3 in / 150#	167 (6.6)	290 (11.4)





# ALH80

## Data Sheet



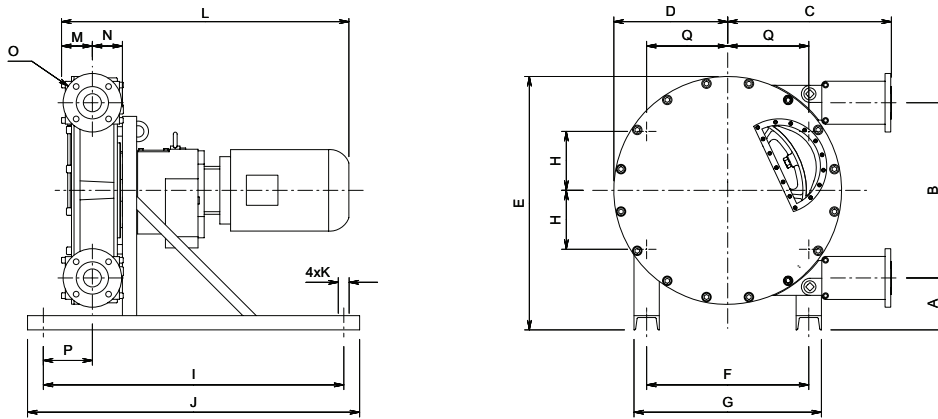
\*Intermittent use : minimum one hour stop after 2 hours run / \*Occasional use : maximum one hour a day

SHOE SHIMMING TABLE - ALH80		
Pressure bar (psi)	Speed - Rpm	Number of shims* - thickness 0.5 mm (0.019 in)
$\Delta P \leq 5$ (72.5)	0 to 20	0
	20 to 60	0
$5$ (72.5) $\leq \Delta P \leq 7.5$ (108.75)	0 to 20	2
	20 to 47	1
$7.5$ (108.75) $\leq \Delta P \leq 10$ (145)	0 to 20	3
	20 to 37	2
$10$ (145) $\leq \Delta P \leq 15$ (217.5)	0 to 20	4
	20 to 31	3

\*Remove one shim if temperature exceeds 60° Celsius (140° Fahrenheit)

### DIMENSIONS

mm (Inch)

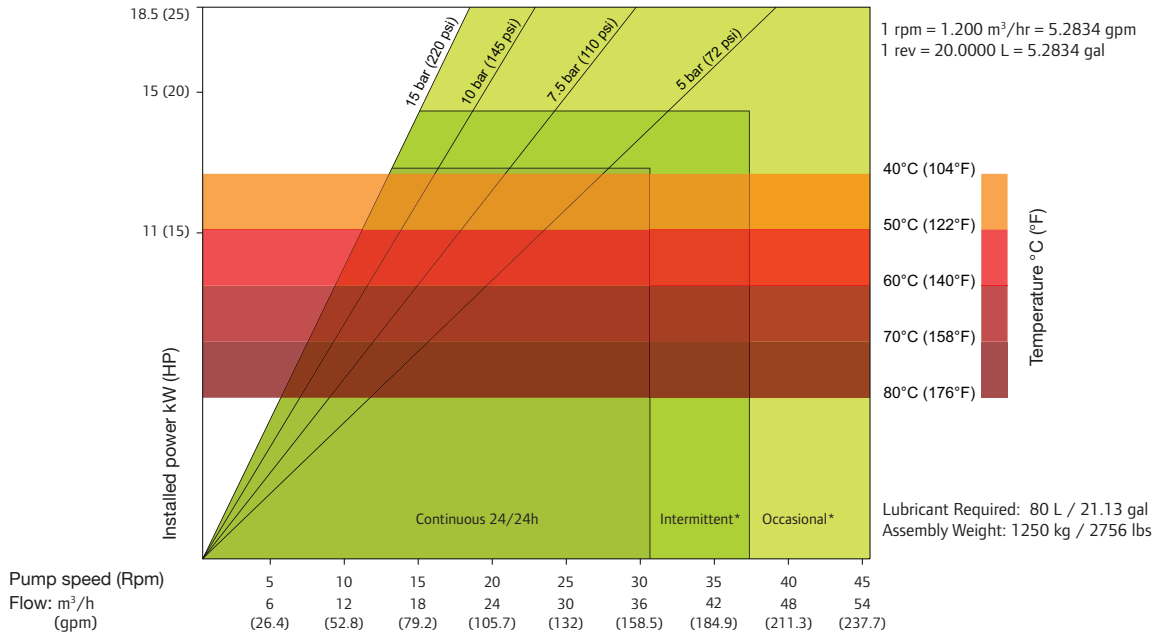


TYPE	A	B	C	D	E	F	G	H	I	J	K	L	M	N	O	P	Q
ALH80	266 (10.5)	876 (34.5)	803 (31.6)	561 (22.0)	1265 (49.8)	690 (27.2)	830 (32.3)	345 (13.6)	1300 (51.2)	1400 (55.1)	4xø27 (4xø1.0)	-	125 (4.9)	108.5 (4.3)	DN80 PN16 ANSI 3 in / 150#	202 (7.8)	345 (13.6)



# ALH100

## Data Sheet



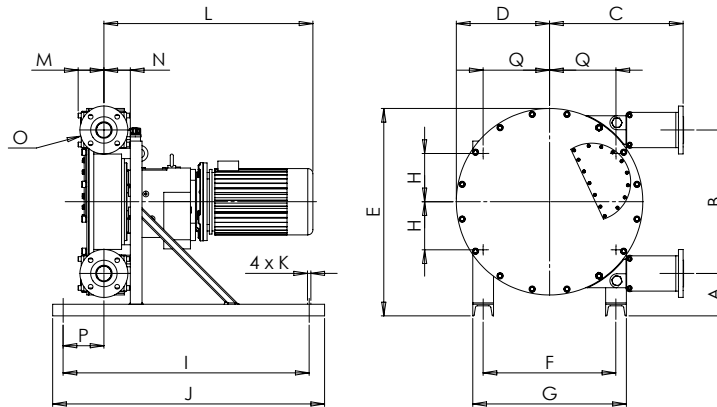
\*Intermittent use : minimum one hour stop after 2 hours run / \*Occasional use : maximum one hour a day

SHOE SHIMMING TABLE - ALH100		
Pressure bar (psi)	Speed - Rpm	Number of shims* - thickness 0.5 mm (0.019 in)
$\Delta P \leq 5$ (72.5)	0 to 15	0
	15 to 50	0
$5$ (72.5) $\leq \Delta P \leq 7.5$ (108.75)	0 to 15	2
	15 to 32.5	1
$7.5$ (108.75) $\leq \Delta P \leq 10$ (145)	0 to 15	3
	15 to 25	2
$10$ (145) $\leq \Delta P \leq 15$ (217.5)	0 to 15	4
	15 to 20	3

\*Remove one shim if temperature exceeds 60° Celsius (140° Fahrenheit)

## DIMENSIONS

mm (Inch)

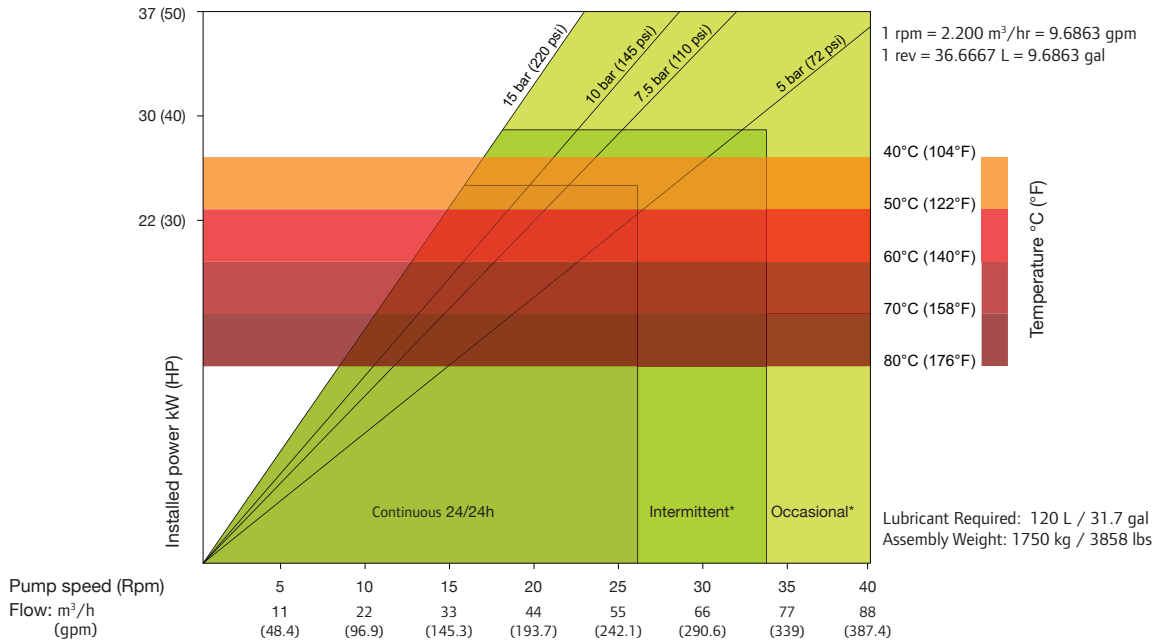


TYPE	A	B	C	D	E	F	G	H	I	J	K	L	M	N	O	P	Q
ALH100	300 (11.8)	1040 (40.9)	911 (35.9)	698 (27.5)	1516 (59.7)	820 (32.3)	960 (37.8)	387 (15.2)	1900 (74.8)	2000 (78.7)	4xø27 (4xø1.0)	-	147 (5.8)	131 (5.1)	DN100 PN16 ANSI 4 in / 150#	361 (14.2)	387 (15.2)



# ALH125

## Data Sheet



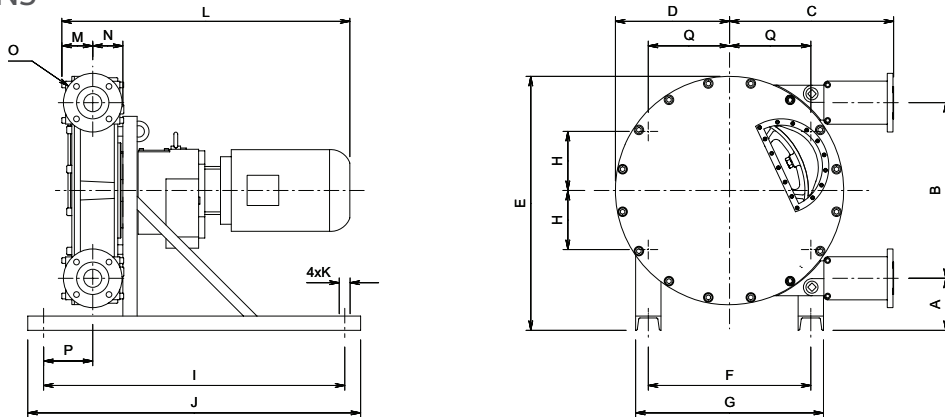
\*Intermittent use : minimum one hour stop after 2 hours run / \*Occasional use : maximum one hour a day

SHOE SHIMMING TABLE - ALH125		
Pressure bar (psi)	Speed - Rpm	Number of shims* - thickness 0.5 mm (0.019 in)
ΔP ≤ 5 (72.5)	0 to 10	0
	10 to 35	0
5 (72.5) ≤ ΔP ≤ 7.5 (108.75)	0 to 10	2
	10 to 27.5	1
7.5 (108.75) ≤ ΔP ≤ 10 (145)	0 to 10	3
	10 to 25	2
10 (145) ≤ ΔP ≤ 15 (217.5)	0 to 10	4
	10 to 20	3

\*Remove one shim if temperature exceeds 60° Celsius (140° Fahrenheit)

### DIMENSIONS

mm (Inch)



TYPE	A	B	C	D	E	F	G	H	I	J	K	L	M	N	O	P	Q
ALH125	258.5 (10.2)	1273 (50.1)	1037 (40.8)	818 (32.2)	1715 (67.5)	1000 (39.4)	1160 (45.7)	500 (19.7)	1900 (74.8)	2000 (78.7)	4xø27 (4xø1.0)	-	160.5 (6.3)	144.5 (5.7)	DN125 PN16 ANSI 5 in / 150#	363.5 (14.3)	500 (19.7)

Distributed by:

[www.albinpump.com](http://www.albinpump.com)

[albinpump@irco.com](mailto:albinpump@irco.com)



## About Ingersoll Rand Inc.

Albin Pump is a brand of Ingersoll Rand and part of the Precision and Science Technologies (PST) business segment. PST consists of a portfolio of complementary, mission critical brands such as Milton Roy®, ARO®, LMI®, Albin Pump, Thomas®, Welch®, Haskel®, Dosatron®, YZ®, Williams®, MP® and Oberdorfer®.

At PST, we deliver solutions for precision dosing and transfer of high value fluids in various markets such as medical, food and beverage, water and hydrogen. For more information, visit [www.IRco.com](http://www.IRco.com).

We are committed to using environmentally conscious print practices

©2021 Ingersoll Rand  
IRITS-0221-003 EN 0721