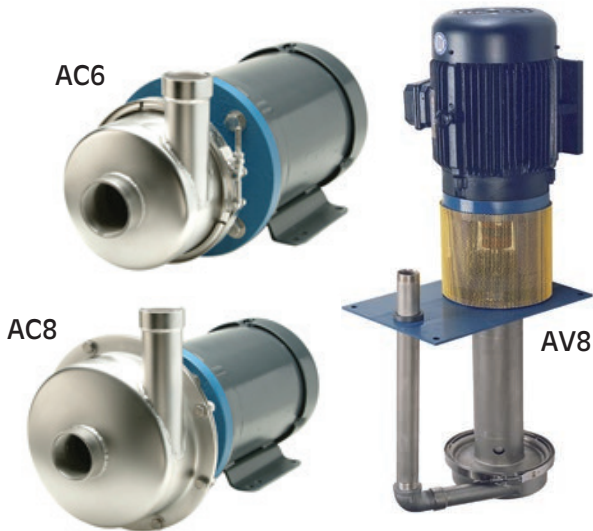


Centrifugal Pumps

AP Series

AP 6 & 8 Series Centrifugal Pumps Horizontal (AC) and Vertical (AV)



AP Series Typical Applications

- Chemical processing
- Plating, photo processing
- Printed circuit boards
- Pharmaceutical
- Waste water treatment

The AP Series

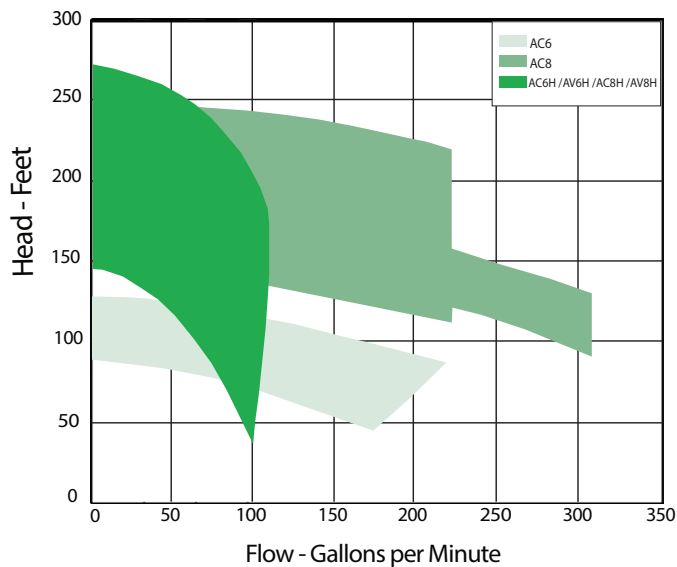
Rugged, metallic sealed centrifugal pumps are compact in design, easy to operate and handle, and economically priced. Built from high quality 316 stainless steel, these pumps are available in horizontal, vertical, or vertical cantilevered designs. All wetted parts are constructed of corrosion resistant materials to withstand the harshest chemical environments.

The AP Series accept standard NEMA frame motors and feature standard NPT threaded ports with flanges optional. Horizontal models also accept standard IEC frame motors and feature BSP threaded ports with optional flanges.

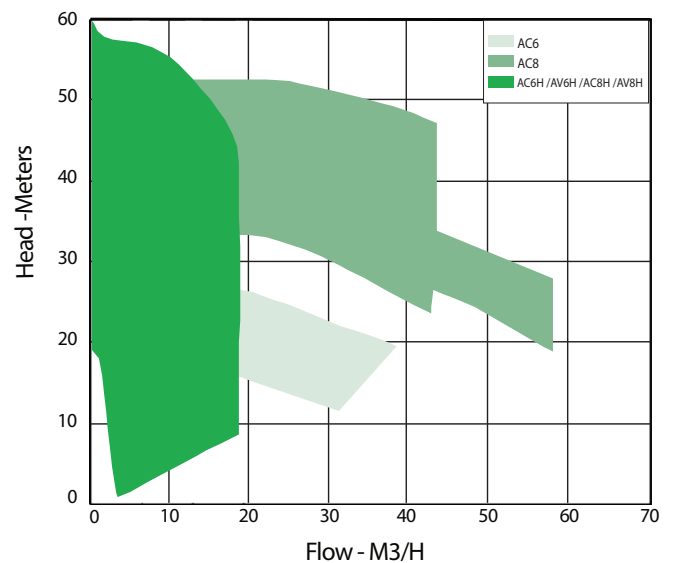
Features

- Corrosion resistant 316 stainless steel
- Close coupled
- Back pull out design for easy service
- Compact design
- Standard and high head impellers
- Bellows Type 21 seals
- FKM, EPDM, or carbon lower bushings (AV models only)
- ATEX certified (AC models with ATEX motors only)
- 1.8 specific gravity with no impeller trim
- Maximum temperature: 300°F (149°C)
- Maximum working pressure: 100 psi (6.9 bar) AC6
120 psi (8.3 bar) AC8

60 Hz 3450 RPM



50 Hz 2900 RPM



Specifications

Model	Suction x Discharge	Impeller Sizes inch	Maximum Flow		Maximum Head		Motor Drive	
	FNPT or FBSP inch		3450 rpm gpm	2900 rpm m ³ /h	3450 rpm ft	2900 rpm m	3450 rpm hp	2900 rpm kW
AC6	1-1/2 x 1-1/4	5-1/4, 5-3/4, 6	122	23	137	29.2	7-1/2	5.5
AC6/AV6	2 x 1-1/2		216	39.5	130	28	7-1/2	5.5
AC6H/AV6H	1-1/4 x 3/4	6-1/4	100	18.5	144	31	7-1/2	5.5
AC8/AV8	2 x 1-1/2	6-1/2, 7, 7-1/2, 8	242	44	247	53	15	11
AC8	2-1/2 x 2		320	58	192	41.5	15	11
AC8H/AV8H	1-1/4 x 3/4	7, 8	106	19	263	59	15	7.5

Model	Suction x Discharge	Impeller Sizes inch	Maximum Flow		Maximum Head		Motor Drive	
	FNPT or FBSP inch		1725 rpm gpm	1450 rpm m ³ /h	1725 rpm ft	1450 rpm m	1725 rpm hp	1450 rpm kW
AC6	1-1/2 x 1-1/4	5-1/4, 5-3/4, 6	62	11	34	7.3	3	2.2
AC6/AV6	2 x 1-1/2		110	19.5	32.1	7	3	2.2
AC6H/AV6H	1-1/4 x 3/4	6-1/4	50	9	36	7.75	3	2.2
AC8/AV8	2 x 1-1/2	6-1/2, 7, 7-1/2, 8	217	39	61	13.1	7-1/2	5.5
AC8	2-1/2 x 2		200	36.5	45	9.6	7-1/2	5.5
AC8H/AV8H	1-1/4 x 3/4	7, 8	90	17	65	14	7-1/2	5.5

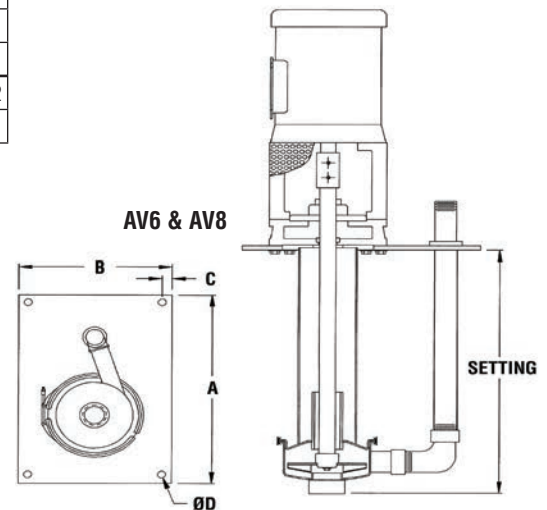
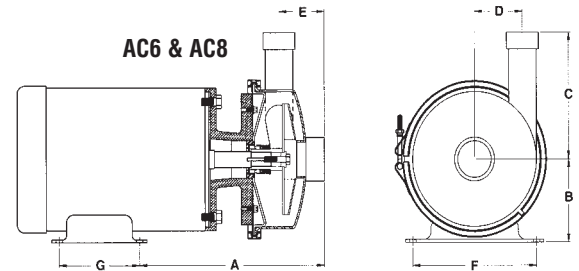
Dimensions

Model	NEMA Frame	Suction	Discharge	A	B	C	D	E	F	G
AC6SJS	182-184JM	1-1/2	1-1/4	11	4-1/2	5-3/4	2-1/2	2-7/16	7-1/2	4-1/2 / 5-1/2
		2	1-1/2	11-1/8	4-1/2	5-3/4	2-7/16	2-5/8	7-1/2	4-1/2 / 5-1/2
	145JM	1-1/2	1-1/4	10-3/8	3-1/2	5-3/4	2-1/2	2-7/16	5-1/2	5
		2	1-1/2	10-1/2	3-1/2	5-3/4	2-7/16	2-5/8	5-1/2	5
AC6HJS	All	1-1/4	3/4	9-5/16	3-1/2	5-1/4	2-7/8	1-3/4	5-1/2	5
AC8SJS	184JM	2	1-1/2	11-3/8	4-1/2	7-5/16	3-1/2	2-5/8	7-1/2	5-1/2
	213JM	2	1-1/2	12-1/2	5-1/4	7-5/16	3-1/2	2-5/8	8-1/2	5-1/2
	213-215JM	2-1/2	2	12-7/8	5-1/4	7-5/16	3-3/16	3-1/8	8-1/2	5-1/2 / 7
AC8HJS	182-184JM	1-1/4	3/4	10-5/16	4-1/2	5-1/4	3-3/4	2-1/16	7-1/2	4-1/2 / 5-1/2
	145JM	1-1/4	3/4	9-9/16	3-1/2	5-1/4	3-3/4	2-1/16	7-1/2	5

Model	NEMA Frame	Suction	Discharge	Setting*	A	B	C	D
AV6/AV8	All	2	1-1/2	22 / 34 / 46	18	12	3/4	9/16
AV6H/AV8H	All	1-1/4	3/4	22 / 34 / 46	18	12	3/4	9/16

*Setting dimension is approximate.

Note: All dimensions are in inches.



FINISH THOMPSON INC.

921 Greengarden Road • Erie, PA 16501-1591 U.S.A.
Ph 814-455-4478 • Fax 814-455-8518
Email fti@finishthompson.com • www.finishthompson.com

Toll Free USA & Canada 1-800-934-9384
Literature I.D. No. - FT97-651F Rev.0, 3.1.13



AN ISO 9001
COMPANY