

A-100NV

Variable Speed

Digital Control

**4-20mA, 0-10VDC
& Pulse Inputs**



Features:

- Peristaltic pump design does not have valves that can clog requiring maintenance.
- Self priming - even against maximum line pressure. By-pass valves are not required. Cannot vapor lock or lose prime.
- Outputs to 5.17 GPH (19.56 LPH).
- Output pressures to 100 PSI (6.9 bar).
- Output volume is not effected by changes in back pressure.
 - Patented pump tube design installs easily and stays centered on the rollers without manual adjustment.
- Two pump tubes supplied with each pump. No extra tubing required.
- Accepts 4-20mA, 0-10Vdc, and Pulse inputs for manual or external speed control.
- Operator friendly digital touch pad.
 - Easy to read LCD display
 - Service and Alarm indicator icons.
 - Display motor speed or input signal values.
 - Prime mode for easy priming without changing programming.
- Built-in Tube Failure Detection system (TFD). Senses chemical in the pump head, shuts off the pump and activates a 1 amp alarm relay (dry contact closure).
- Compatible with Blue-White's output flow verification sensor system.
- Durable housing of chemical resistant Valox (PBT) thermoplastic.

Specifications:

Max. working pressure:100 psig (6.9 bar)
Max. fluid temperature:130° F (54° C)
Max. ambient temperature: ..14° to 110° F / -10° to 43° C
Output adjustment range:10-100% in 1% increments (10:1 turndown)
Duty cycle:.....Continuous
Maximum viscosity:5,000 Centipoise
Maximum suction lift:30 ft. Water 0 psig
Maximum Solids:50% by volume
Enclosure:NEMA 3R, (IP23)

Voltage (amp draw):115VAC/60Hz, 1ph (.350 amp max)
230VAC/60Hz, 1ph (.173 amp max)
220VAC/50Hz, 1ph (.175 amp max)
240VAC/50Hz, 1ph (.193 amp max)
Power Cord Plug Type:115V60Hz = NEMA 5/15 (USA)
230V60Hz = NEMA 6/15 (USA)
220V50Hz = CEE 7/VI (EUROPE)
240V50Hz = CEE 7/VI (EUROPE)
Approximate shipping wt: ...12 lb. (5.4 kg)

Materials of Construction:

Wetted components:

Pump Tube Assembly:.....Norprene[®], Norprene Chemical[®],
Tygothane[®] or FKM tubing
with PVDF connection fittings
Suction Tubing:.....Clear PVC
Suction Strainer:.....Natural Polypropylene
Discharge Tubing:.....Natural Polyethylene (LLDPE)
Injection/Check valve:
Body & insert:Polypropylene (optional PVDF)
Check Ball:Ceramic
Spring:Hastelloy C-276
Ball Seat O-ring:.....TFE/P (optional EP)
Static Seal O-ring:FKM (optional EP)

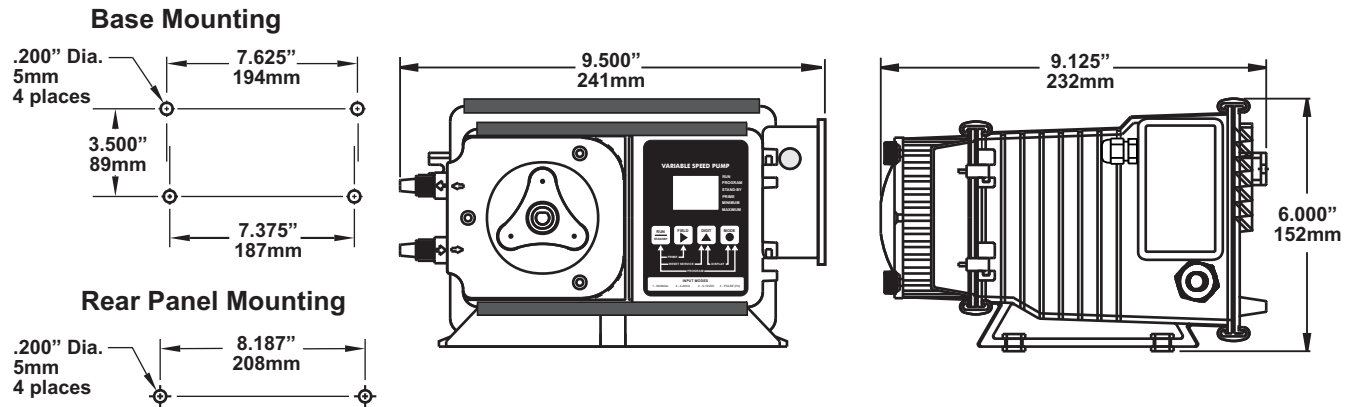
Non-Wetted components:

Pump Head & Enclosure:Valox[®] (PBT) thermoplastic
Pump Head Cover:.....Clear PVC
Cover Screws:300 Stainless, Polypropylene cap
Roller Assembly:
Rotor:Valox[®] (PBT)
Rollers:Nylon
Roller Bearings:Bronze
Motor Shaft:.....Nickel plated steel
TFD System Sensor pins:Hastelloy C-276
Power Cord:3 conductor, SJTW-A Water-resistant

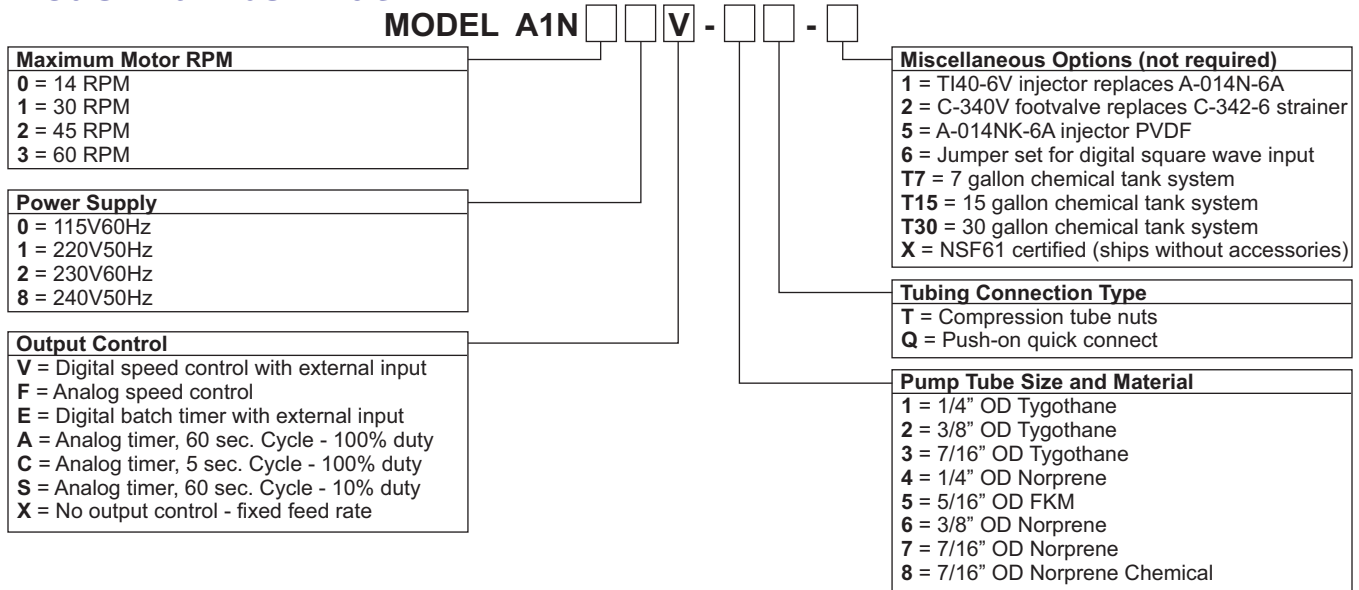
Blue-White Industries, Ltd.

FLEXFLO® Peristaltic Metering Pumps

Dimensions:



Model Number Matrix:



Maximum Flow rate and pressure capacities:

Tube no.	Tubing Material	14 RPM MODELS					30 RPM MODELS					45 RPM MODELS					60 RPM MODELS				
		ml/m	oz/m	lph	gph	PSI(bar)	ml/m	oz/m	lph	gph	PSI(bar)	ml/m	oz/m	lph	gph	PSI(bar)	ml/m	oz/m	lph	gph	PSI(bar)
1	Tygothane	15	0.51	0.90	0.24	65(4.5)	35	1.18	2.10	0.55	65(4.5)	54	1.83	3.24	0.86	65(4.5)	67	2.26	4.02	1.06	65(4.5)
2	Tygothane	32	1.08	1.92	0.51	65(4.5)	75	2.54	4.50	1.19	65(4.5)	115	3.89	6.90	1.82	65(4.5)	140	4.73	8.40	2.22	65(4.5)
3	Tygothane	73	2.47	4.37	1.16	50(3.5)	173	5.85	10.38	2.74	50(3.5)	261	8.82	15.66	4.14	50(3.5)	326	11.01	19.56	5.17	50(3.5)
4	Norprene	6	0.20	0.36	0.10	100(6.9)	13	0.44	0.78	0.21	100(6.9)	21	0.71	1.26	0.33	100(6.9)	25	0.85	1.50	0.40	75(5.2)
5	FKM	11	0.37	0.66	0.17	25(1.7)	26	0.88	1.56	0.41	25(1.7)	39	1.31	2.34	0.62	25(1.7)	48	1.62	2.88	0.76	25(1.7)
6	Norprene	18	0.61	1.08	0.29	100(6.9)	42	1.42	2.52	0.67	100(6.9)	63	2.13	3.78	1.00	100(6.9)	79	2.67	4.74	1.25	75(5.2)
7	Norprene	57	1.92	3.42	0.90	50(3.5)	138	4.66	8.28	2.19	50(3.5)	200	6.76	12.00	3.17	50(3.5)	250	8.45	15.00	3.96	50(3.5)
8	Nor Chem	40	1.35	2.40	0.63	50(3.5)	84	2.80	5.04	1.31	50(3.5)	140	4.73	8.40	2.22	50(3.5)	180	6.10	10.80	2.85	50(3.5)

Gallons shown are U.S. Gallons

Replacement Pump Tubes:

Pump Model Number Suffix	Pump Tube Part Number	Pump Tube Material	Nominal Pump Tube OD
-1T	A-002N-1T	Tygothane	1/4" (6,4mm)
-2T	A-002N-2T	Tygothane	3/8" (9,5mm)
-3T	A-002N-3T	Tygothane	7/16" (11,1mm)
-4T	A-002N-4T	Norprene	1/4" (6,4mm)
-5T	A-002N-5T	Viton	5/16" (7,9mm)
-6T	A-002N-6T	Norprene	3/8" (9,5mm)
-7T	A-002N-7T	Norprene	7/16" (11,1mm)
-8T	A-002N-8T	Norprene Chemical	7/16" (11,1mm)
-1Q	A-002N-1Q	Tygothane	1/4" (6,4mm)
-2Q	A-002N-2Q	Tygothane	3/8" (9,5mm)
-4Q	A-002N-4Q	Norprene	1/4" (6,4mm)
-6Q	A-002N-6Q	Norprene	3/8" (9,5mm)

Blue-White Industries, Ltd.

5300 Business Drive, Huntington Beach, CA 92649
 Tel: 714-893-8529 Fax: 714-894-9492
 www.blue-white.com Email: sales@blue-white.com

All trademarks are the property of their respective owners.

Technical data sheet #85000-040 rev.04152015