

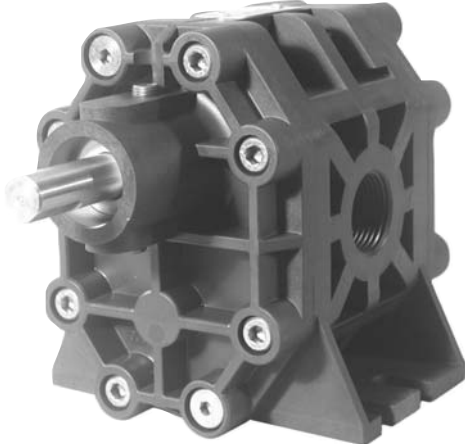


A Gardner Denver Product

CHEMSTEEL SERIES S917 NON-METALLIC

CHEMSTEEL®

CHEMSTEEL SERIES S917 NON-METALLIC



A full range of accessories are available including:

- close coupled mounting kits
- baseplate/pedestal mounting kits
- line mounted pressure relief valves

GENERAL DESCRIPTION

Chemsteel pumps are designed to handle common and highly corrosive liquids that must be pumped under pressure. Manufactured to extremely precise tolerance, the Chemsteel pump line prevents system contamination while maintaining the purity and integrity of the liquid being pumped. Its rugged, three-section construction provides ease of servicing and parts replacement.

Helical gearing offers noise reduction by as much as 10db, while the tandem pumps double the output flow for a single fluid, or with isolation, handle other fluids in direct ratio to the first.

Additionally, Chemsteel pumps offer bi-directional operation for applications requiring reversing flow.

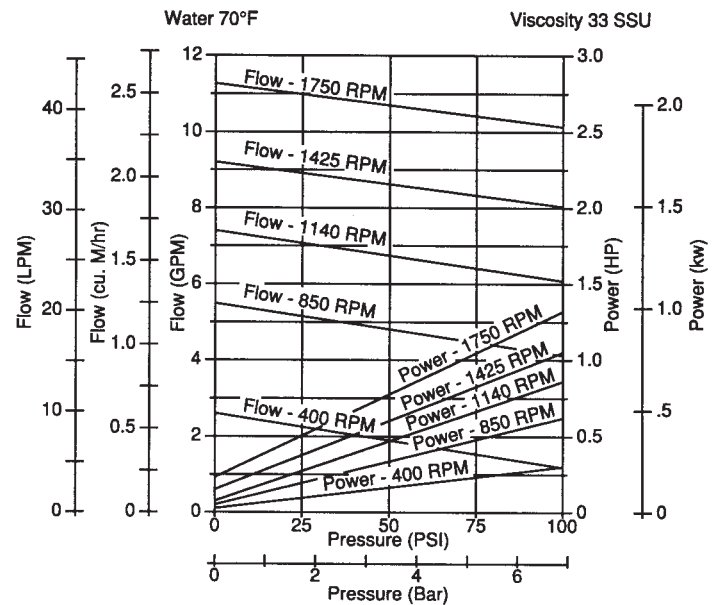
LIFE CYCLE/COST OF OWNERSHIP

Pump design and materials selection, together provide the longest life available from a gear pump.

Key attributes include:

- Gear & bearing combinations of metallic and nonmetallic wear surfaces.
- Slotted bearings to lubricate shaft and gear surfaces.
- Hydraulic porting to balance axial thrust and to reduce wear.
- Ample port sizing to reduce the likelihood of cavitation when inlet pressure is marginal.
- Effective housing seals with elastic memory prevent leakage of corrosives.

PERFORMANCE



Notes: For continuous service:

Plastic / Plastic gear combinations are limited to 50 psi.

Metal / Plastic gear combinations are limited to 100 psi.

Horsepower requirements increase for viscous fluids.

SPECIFIC SOLUTIONS

Gear/bearing design allows for "trimming" for optimizing the pump's maximum flow to reach minimum turndown or to match flow to a specific OEM's requirement. Special materials combinations are available for specific liquids:

- Reinforced Ryton® housing construction.
- Gears available in metallic 316 stainless steel and Alloy C. Also in Teflon®, Ryton® and PEEK®.
- Shafts are 316 stainless steel or Alloy C.
- Bearings available in carbon or Teflon®.

Full range of seal options including lip seal, packing and mechanical designs.

FIT

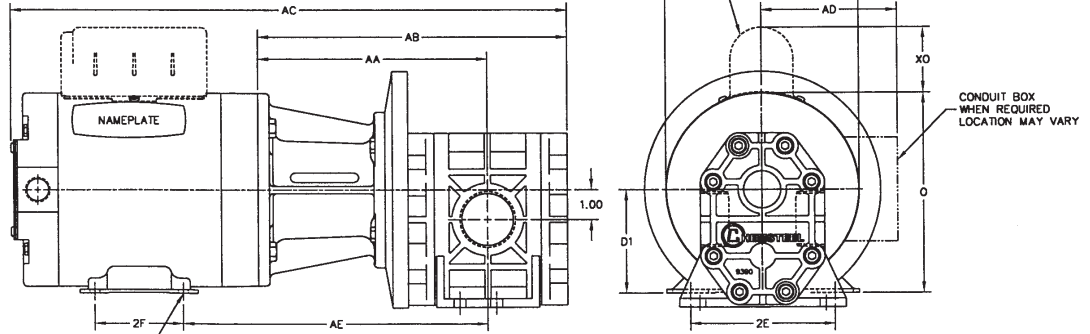
Connections are 1" female NPT or BSPT, pump hardware is metric and close couple adapters mount to both NEMA and IEC standard motor frame sizes for world wide acceptance.

MAINTENANCE

A three-part housing provides easy disassembly and service. Full size bearings match the gear diameter, and eliminate the need for separate wear plates. TFE encapsulating silicone pump housing seals provide elastic memory to assure an effective long lasting seal and thus avoiding the re-torquing required of pumps using pure TFE. The upper shaft configuration lends itself to in-line pump seal maintenance without the leakage of trapped chemicals from an incompletely drained pump.

To order a repair kit, simply add a "K" to the end of the model number. A **CHEMkit** contains the following parts: seals, bearings, gears, o-rings, shafts, keys, c clips, and retaining ring.

CLOSE-COUPLED DIMENSIONAL



MODEL	S917 NM
maximum flow (gpm) @ 1750 rpm	10
theoretical displacement (cc/revolution)	28.9
maximum differential pressure (psig)	100
maximum system pressure (psig)	200
maximum speed (RPM)	1800
maximum fluid temperature	200° F
minimum fluid temperature	-40° F
standard port size	1 inch FNPT
weight (lbs)	10

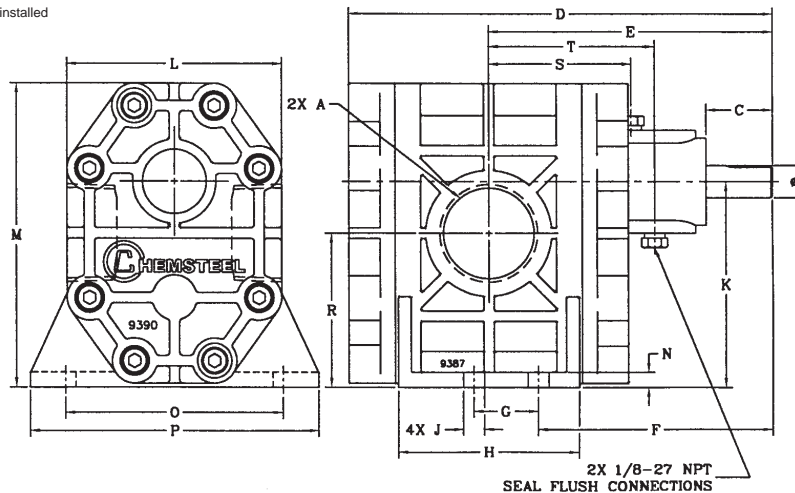
adapter code	kit part no.	motor frame		D1	2E	2F	H	O	AP	XO	AA	AB	AC	AD	AE	
																INCHES
C1	M9AD56R	56C		3.50	4.88	3.00	ø.34 SLOT	6.88	6.63	2.25	7.81	10.53	18.91	-	10.37	
				88.9	124	76.2	ø8.6 SLOT	174.8	168.4	57.2	198.4	267.5	480.3	-	263.4	
C2	M9AD45TR	143TC	145TC	3.50	5.50	4.00	5.00	ø.34 SLOT	6.88	6.63	2.25	7.81	10.53	20.10	21.60	10.19
				88.9	139.7	102	127	ø8.6	174.8	168.4	57.2	198.4	267.5	510.5	548.6	-
C3	M9AD71RE	182C	184C	4.50	7.50	4.50	5.50	ø.41 SLOT	8.69	7.88	2.38	8.62	11.34	22.82	22.04	10.89
				114.3	190.5	114.3	139.7	ø10.41 SLOT	220.7	200	60.3	198.4	267.5	579.8	559.8	-
C4	M9AD80RE	IEC, 71, B14 FACE		2.80	4.41	3.54	3.54	ø.28 SLOT	5.14	4.69	-	7.31	10.03	19.34	4.00	9.08
				71	112	89.9	89.9	ø7 SLOT	130.6	119.1	-	185.7	254.8	491.2	102	230.7
C5	M9AD90RE	IEC 80, B14 FACE		3.15	4.92	3.94	3.94	ø.39 SLOT	6.00	5.69	-	7.31	10.03	19.57	4.51	9.28
				80	125	100	100	ø10 SLOT	152.4	144.5	-	185.7	254.8	497.1	116	235.7
C6	M9AD84TR	182TC	184TC	3.54	5.51	3.94	3.94	ø.39 SLOT	6.81	6.61	-	7.81	10.53	21.33	5.12	9.83
				90	140	100	100	ø10 SLOT	173	168	-	198.4	267.5	541.8	130	249.7
C7	M9AD100RE	213C	215C	4.50	7.50	4.50	5.50	ø.41 SLOT	8.69	7.88	2.38	8.62	11.34	23.83	22.85	10.96
				114.3	190.5	114.3	139.7	ø10.41 SLOT	220.7	200	60.3	198.4	267.5	600.2	580.4	-
C7	M9AD100RE	IEC100, B14 FACE		5.25	8.50	5.50	7.00	ø10.25	3.56	2.75	-	23.85	25.47	-	11.31	
				133.4	215.9	139.7	177.8	ø10.4 SLOT	260.4	242.8	69.9	218.9	288	605.8	646.9	-
C7	M9AD100RE	IEC100, B14 FACE		3.94	6.30	4.41	4.41	ø.47 SLOT	7.81	7.88	-	8.00	10.72	23.70	5.98	10.12
				100	160	112	112	ø12 SLOT	180	200	-	203.2	272.3	602	149.2	257

PEDESTAL MOUNT DIMENSIONS

1. These dimensions vary depending on hp, enclosure, speed and motor manufacturer. Specifications are subject to change without notification.

	A	B	C			D	E	F	G	H	J			L	M	N	O	P	R	S		T	
			Mechanical	Pack	Lip						Diameter	Standard drive	Lower drive							Mechanical	Lip	Mechanical	Lip
inches	1.00	0.625	1.29	1.00	1.61	8.21	5.50	4.55	1.25	3.50	0.40	3.98	1.98	4.19	5.89	0.29	4.25	5.63	2.98	2.76	3.13	3.21	1.73
millimeters	15.9	32.8	25.4	40.9	208.5	139.7	115.6	31.8	88.9	10.2	101.1	50.3	106.4	149.6	7.4	108.0	143.0	75.7	70.1	0	81.5	43.9	

1. Dimension is approximated with packing nut installed



Teflon® is a registered trademark of DuPont, an equivalent fluoropolymer may be used.
 Ryton® is a registered trademark of Chevron Phillips Chemical, an equivalent polyphenylene sulfide may be used.
 PEEK® is a trademark of Victrex, an equivalent polyetheretherketone may be used.