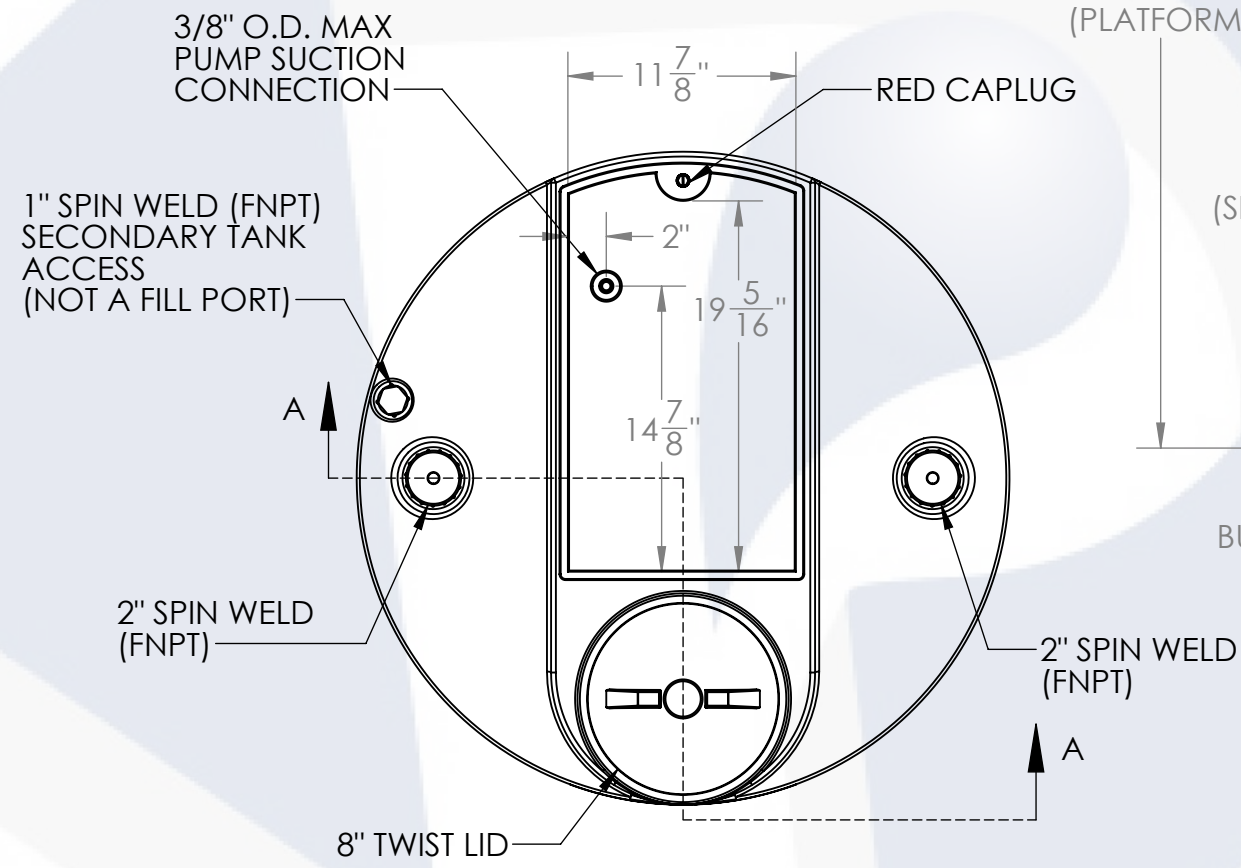
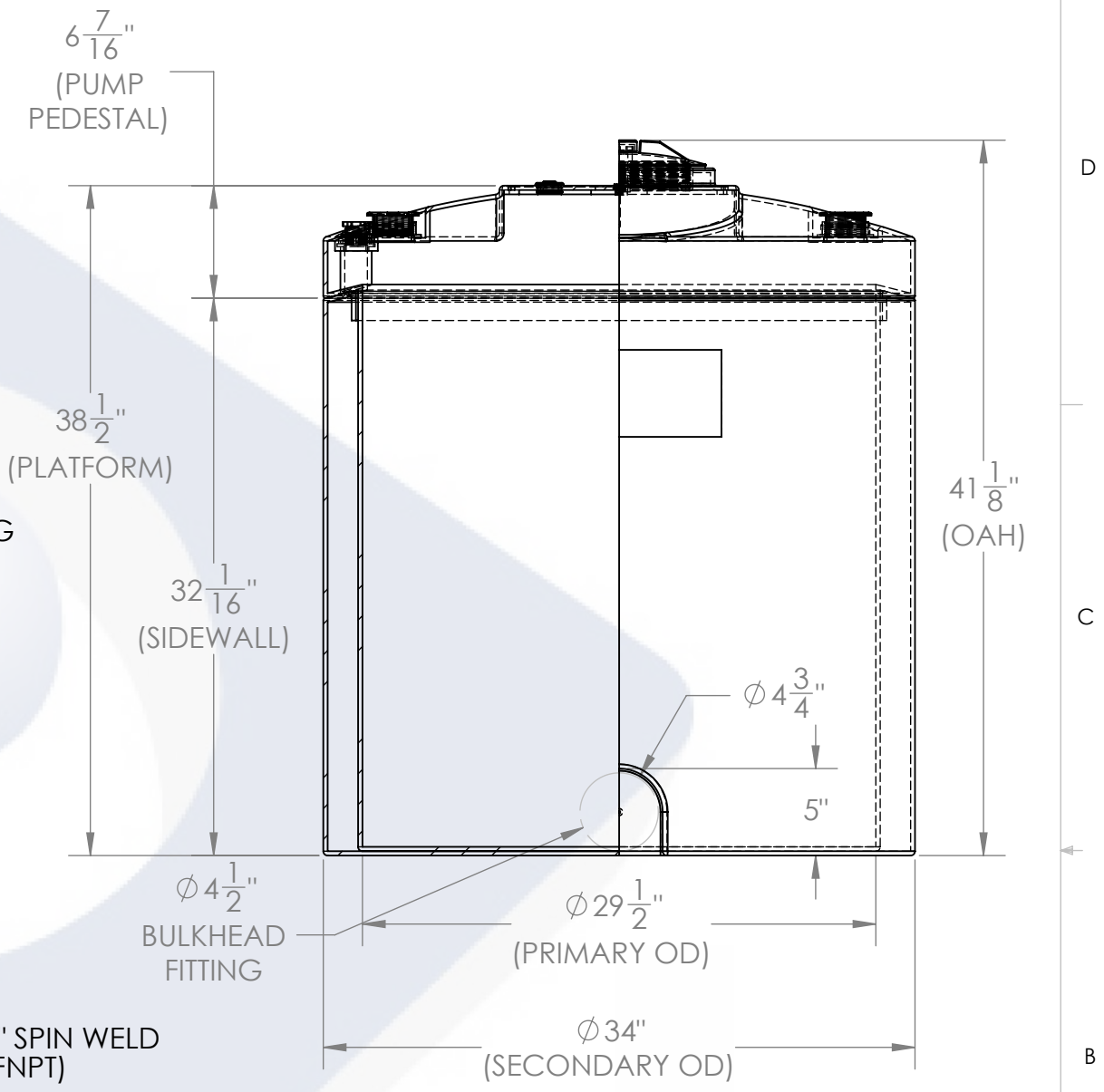




**ISOMETRIC VIEW
(ASSEMBLED)**



PLAN VIEW



SECTION A-A

ALTERNATE CONFIGURATION TO MEET
NSF/ANSI STANDARD 61 AVAILABLE

	PART NUMBER	
	BLUE	NATURAL
90 GALLON GEMINI TANK, Ø34" x 42"		
POLYETHYLENE LDPE (SD 1.5)	01-30294	01-30295
POLYETHYLENE LDPE (HD 1.9)	01-30296	01-30297
CROSSLINK XLPE (SD 1.5)	CALL FOR INFO	01-30298
CROSSLINK XLPE (HD 1.9)	CALL FOR INFO	01-30299
ALTERNATIVE MATERIALS, COLOR, AND ACCESSORIES ARE AVAILABLE. CALL FOR ADDITIONAL INFO.		

PROPRIETARY AND CONFIDENTIAL
THE INFORMATION CONTAINED IN THIS DRAWING IS THE SOLE PROPERTY OF PEABODY ENGINEERING. ANY REPRODUCTION IN PART OR AS A WHOLE WITHOUT THE WRITTEN PERMISSION OF PEABODY ENGINEERING IS PROHIBITED.

UNLESS OTHERWISE SPECIFIED:
DIMENSIONS ARE IN INCHES
TOLERANCES: ±1/4"
ANGULAR: ±.5°
ONE PLACE DECIMAL: ±.25
TWO PLACE DECIMAL: ±.125
THREE PLACE DECIMAL: ±.063

TANK MATERIAL:
INNER TANK S/N:
OUTER TANK S/N:
CUSTOMER PO#

DO NOT SCALE DRAWING

	NAME	DATE
DRAWN	AAF	8/19/19
CHECKED		
ENG APPR.		
MFG APPR.		
Q.A.		

PROJECT: GEMINI DUAL CONTAINMENT TANKS		
CUSTOMER: PEABODY STANDARD		
SITE/LOCATION: -		
SALES ORDER:		
SIZE	DESC.	REV.
B	90 GALLON GEMINI TANK, Ø34" x 42"	E
SCALE: 1:10		SHEET 1 OF 1