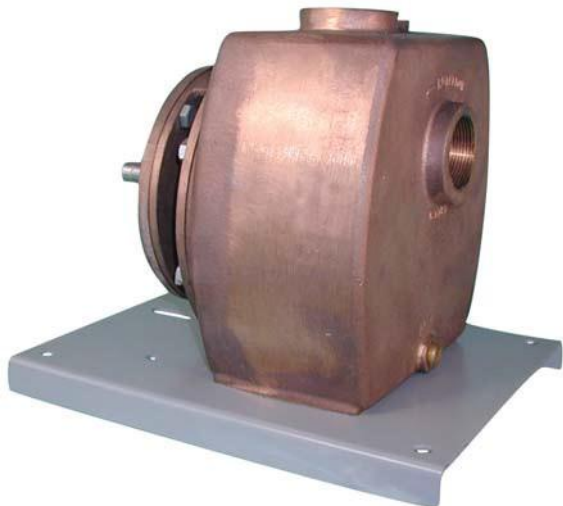


# BRONZE BASE MOUNTED SELF-PRIMING CENTRIFUGAL PUMP

**MODEL**  
**75PB**

PIPE SIZE 1 1/2"



## FEATURES

- Self Priming to 20 Ft. Suction Lift
- Heavy Duty Ball Bearings
- Designed for Pulley Drive Applications
- Stainless Steel or Monel Shaft (75PB-01)
- Teflon(R)\* Barrier Lip Seal to Protect Motor Bearings
- Carbon Face Mechanical Pump Seals
- Viton(R)\* (S10) or Teflon(R)\* (S11) Pump Seals Available for Solvent Transfer
- Bronze Models with Monel Shaft Ideal for Marine Service (including air conditioning, bilge, and sea water recirculating)
- Will Handle Contaminated Liquids

## LIQUIDS

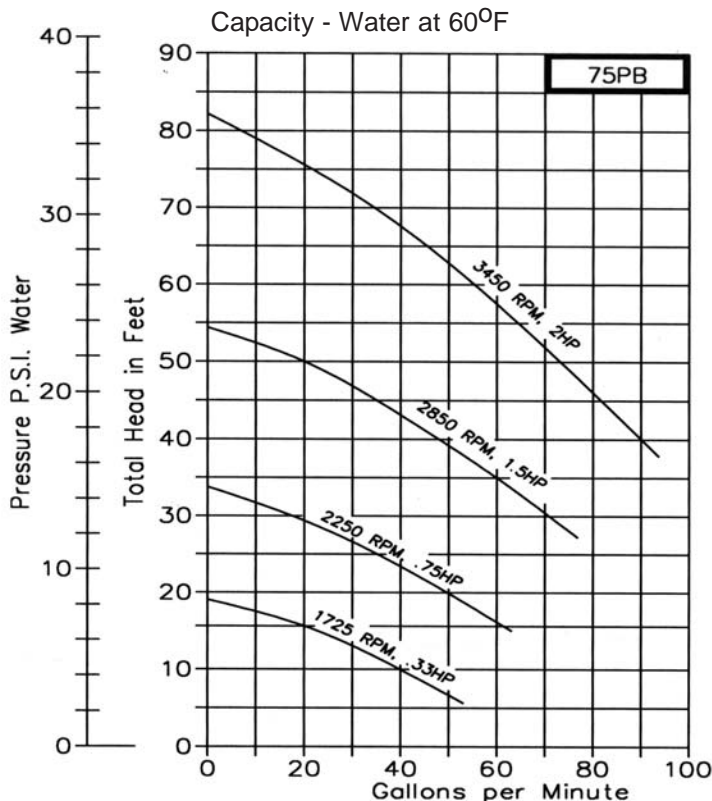
The special pump alloys used provide corrosion resistance to many liquids including water, water solutions, and a wide range of commercial chemicals. Questions as to the chemical compatibility of special liquids should be referred to the factory.

Viscous liquids with a maximum viscosity of 2000 Saybolt Seconds Universal can be pumped. However, when pumping viscous liquids as compared with water, a reduction in flow and pressure occurs and the required horsepower rate increases.

Liquids heavier than water require additional horsepower in direct proportion to the increase in specific gravity. Liquids contaminated with small solids or abrasives can be handled, but a reduction in mechanical seal life must be expected.

## CHARACTERISTICS

The pump uses a mechanical type shaft seal with a Buna rubber element. It is suitable for water, oils, and some



mild solvents and it is limited to 212° F. Viton(R)\* seals and Teflon(R)\* seals are available for severe solvents, difficult chemicals, and elevated temperatures.

The flow of a centrifugal pump can be conveniently controlled by a throttling valve in the discharge line without the need for a relief

(Continued on back)

## Capacity Gallons Per Minute (Water) at Various Suction Lifts

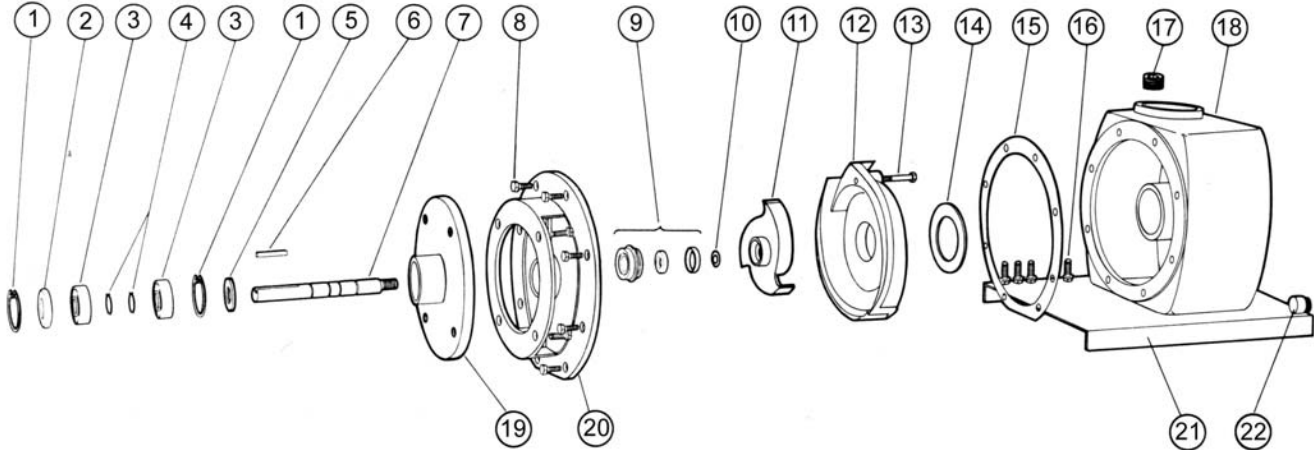
| Discharge Pressure | Feet  | P.S.I. | 3450 RPM     |        |        |       |       | 2850 RPM     |        |        |     |  |
|--------------------|-------|--------|--------------|--------|--------|-------|-------|--------------|--------|--------|-----|--|
|                    |       |        | Suction Lift |        |        |       |       | Suction Lift |        |        |     |  |
|                    | 0 Ft. | 5 Ft.  | 10 Ft.       | 15 Ft. | 20 Ft. | 0 Ft. | 5 Ft. | 10 Ft.       | 15 Ft. | 20 Ft. |     |  |
| 20                 | 8.7   | 94     | 93           | 92     | 91     | 87    | 87    | 79           | 72     | 64     | 54  |  |
| 30                 | 13.0  | 93     | 92           | 91     | 87     | 80    | 71    | 62           | 52     | 38     | 21  |  |
| 40                 | 17.3  | 91     | 86           | 81     | 71     | 60    | 54    | 38           | 20     | ---    | --- |  |
| 50                 | 21.7  | 76     | 69           | 60     | 49     | 35    | 22    | ---          | ---    | ---    | --- |  |
| 60                 | 26.0  | 59     | 49           | 37     | 23     | 5     | ---   | ---          | ---    | ---    | --- |  |
| 70                 | 30.5  | 38     | 24           | 8      | ---    | ---   | ---   | ---          | ---    | ---    | --- |  |
| 80                 | 34.6  | 13     | ---          | ---    | ---    | ---   | ---   | ---          | ---    | ---    | --- |  |

| Discharge Pressure | Feet  | P.S.I. | 2250 RPM     |        |        |       | 1725 RPM     |        |        |        |
|--------------------|-------|--------|--------------|--------|--------|-------|--------------|--------|--------|--------|
|                    |       |        | Suction Lift |        |        |       | Suction Lift |        |        |        |
|                    | 0 Ft. | 5 Ft.  | 10 Ft.       | 15 Ft. | 20 Ft. | 0 Ft. | 5 Ft.        | 10 Ft. | 15 Ft. | 20 Ft. |
| 5                  | 2.2   | 64     | 63           | 62     | 53     | 40    | 50           | 43     | 25     | 7      |
| 10                 | 4.3   | 64     | 62           | 53     | 40     | 20    | 41           | 25     | ---    | ---    |
| 15                 | 6.5   | 61     | 53           | 40     | 20     | ---   | 23           | ---    | ---    | ---    |
| 20                 | 8.7   | 50     | 37           | 19     | ---    | ---   | ---          | ---    | ---    | ---    |
| 25                 | 10.8  | 38     | 20           | ---    | ---    | ---   | ---          | ---    | ---    | ---    |
| 30                 | 13.0  | 20     | ---          | ---    | ---    | ---   | ---          | ---    | ---    | ---    |

\* Viton(R) is a registered trademark of DuPont Dow Elastomers. Viton(R) or equivalent FKM will be used.  
Teflon(R) is a registered trademark of DuPont. Teflon(R) or equivalent PTFE will be used.

# BRONZE BASE MOUNTED SELF-PRIMING CENTRIFUGAL PUMP

## EXPLODED VIEW AND PARTS LIST



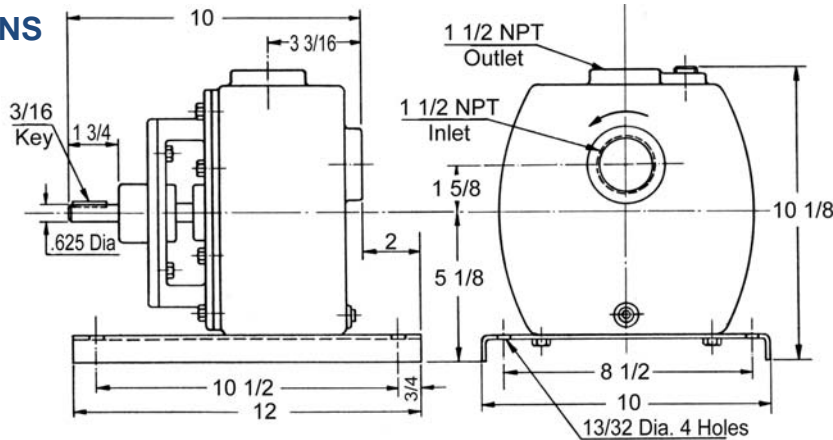
| Pump No. | 1         | 2        | 3            | 4         | 5       | 6      | 7      | 8       | 9 <sup>1</sup> | 10     | 11 <sup>1</sup> |
|----------|-----------|----------|--------------|-----------|---------|--------|--------|---------|----------------|--------|-----------------|
|          | Ret. Ring | Lip Seal | Ball Bearing | Ret. Ring | Slinger | Key    | Shaft  | Screw   | Seal Assy.     | Shim   | Impeller        |
|          | 2 Reqd    | 1 Reqd   | 2 Reqd       | 2 Reqd    | 1 Reqd  | 1 Reqd | 1 Reqd | 12 Reqd | 1 Reqd         | 1 Reqd | 1 Reqd          |
| 75PB     | 5925      | 6609     | 5928         | 5926      | 7447    | 6567   | 7037   | 5411    | 32155          | 602502 | 7927            |
| 75PB-01  | 5925      | 6609     | 5928         | 5926      | 7447    | 6567   | 6890   | 5411    | 32155          | 602502 | 7927            |

| 12       | 13     | 14 <sup>1</sup> | 15 <sup>1</sup> | 16     | 17     | 18     | 19            | 20      | 21     | 22     | Repair Kit <sup>1</sup> |
|----------|--------|-----------------|-----------------|--------|--------|--------|---------------|---------|--------|--------|-------------------------|
| Diffuser | Screw  | Gasket Diffuser | Gasket Flange   | Screw  | Plug   | Body   | Bearing Plate | Adapter | Base   | Plug   |                         |
| 1 Reqd   | 2 Reqd | 1 Reqd          | 1 Reqd          | 4 Reqd | 1 Reqd | 1 Reqd | 1 Reqd        | 1 Reqd  | 1 Reqd | 1 Reqd |                         |
| 7928     | 7796   | 7798            | 7797            | 7637   | 7934   | 7929   | 7933          | 7926    | 6742   | 7321   | 11145                   |
| 7928     | 7796   | 7798            | 7797            | 7637   | 7934   | 7929   | 7933          | 7926    | 6742   | 7321   | 11145                   |

<sup>1</sup> Repair Kit contains items 9, 11, 14 & 15.

## DIMENSIONS



(Continued from front)

valve. In centrifugal pumps, the horsepower demand will decrease as the pressure increases. Maximum horsepower occurs with a wide open discharge.

## SUCTION LIFT

Self-priming centrifugal pumps must be primed once at the initial start-up thru the priming plug opening at the top of the pump body. On subsequent starts the pump will automatically prime itself and develop

a lifting capability of 15 feet or more.

The height of the suction lift should be kept to an absolute minimum and the size of the suction pipe should be equal or larger than the pump inlet port. A foot valve with strainer is recommended at the beginning of the suction line. Rotation is clockwise looking from the shaft end. Self-priming centrifugal must be operated with the shaft in the horizontal position. See chart on front.