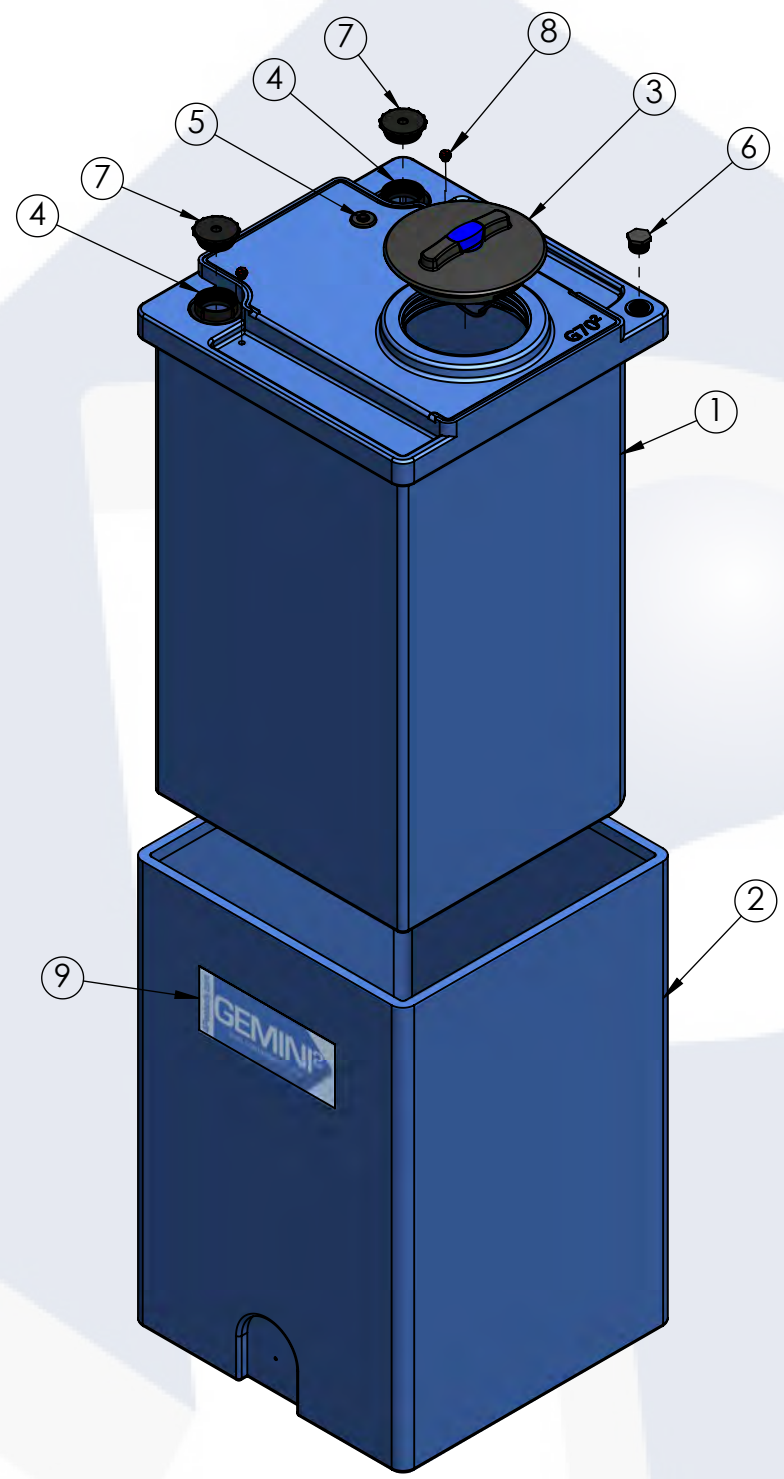


8 7 6 5 4 3 2 1

70 GALLON GEMINI ²	PART NUMBER	
	BLUE	NATURAL
LPE (1.5)	01-29824	01-29828
LPE (1.9)	01-30068	01-30072
XLPE (1.5)	N/A	01-30149
XLPE (1.9)	N/A	01-30154



ISOMETRIC VIEW ASSEMBLED




ISOMETRIC VIEW EXPLODED

ALTERNATE CONFIGURATION TO MEET NSF/ANSI STANDARD 61 AVAILABLE

TOP LEVEL ASSEMBLY		
ITEM NO.	DESCRIPTION	Default/QT Y.
1	70G GEMINI ² , PRIMARY TANK	1
2	70G GEMINI ² , SECONDARY TANK	1
3	Ø10" OD / 8" ID TWIST LID ASSY	1
4	Ø2" FNPT SPIN WELD FITTING, PE	2
5	Ø1-5/8" CAPLUG / GROMMET ASSY	1
6	Ø1" PLUG, MPT, PE, BLACK	1
7	Ø2" MPT PLUG, PE, BLACK	2
8	RED CAPLUG / O-RING SUB-ASSY	2
9	GEMINI ² MOLD IN LOGO	1

- NOTES:**
- CAPACITY: 70 GAL. NOMINAL
 - APPROXIMATE WEIGHT: 63 LBS
 - TANK MATERIAL: LLDPE W/ UV INHIBITOR
 - GASKETS: EPDM
 - SERVICE PRESSURE: ATMOSPHERIC

PROPRIETARY AND CONFIDENTIAL
 THE INFORMATION CONTAINED IN THIS DRAWING IS THE SOLE PROPERTY OF PEABODY ENGINEERING. ANY REPRODUCTION IN PART OR AS A WHOLE WITHOUT THE WRITTEN PERMISSION OF PEABODY ENGINEERING IS PROHIBITED.

UNLESS OTHERWISE SPECIFIED:		NAME	DATE	
DIMENSIONS ARE IN INCHES TOLERANCES: ±1/4"		DRAWN	NRG 4/9/19	
ANGULAR: ± .5° ONE PLACE DECIMAL: ± .25 TWO PLACE DECIMAL: ± .125 THREE PLACE DECIMAL: ± .063		CHECKED		
TANK MATERIAL: LPE		ENG APPR.		
INNER TANK S/N:		MFG APPR.		PROJECT: GEMINI ² DUAL CONTAINMENT TANKS
OUTER TANK S/N:		Q.A.		CUSTOMER: PEABODY STANDARD
CUSTOMER PO#		ALTERNATIVE VERSIONS		SITE/LOCATION: -
DO NOT SCALE DRAWING		MATERIALS: XLPE, PPL, PVDF COLORS: NATURAL, BLUE OR BLACK AVAILABLE WITH FRP WRAP		DRAWING#: SEE TABLE
		CALL FOR PART NUMBERS		SIZE B
				DESC. 70 GALLON GEMINI ² TANK, 24" x 24" x 41"
				REV. H
		SCALE: 1:12		SHEET 1 OF 2

8 7 6 5 4 3 2 1

