

SALES & ENGINEERING DATA

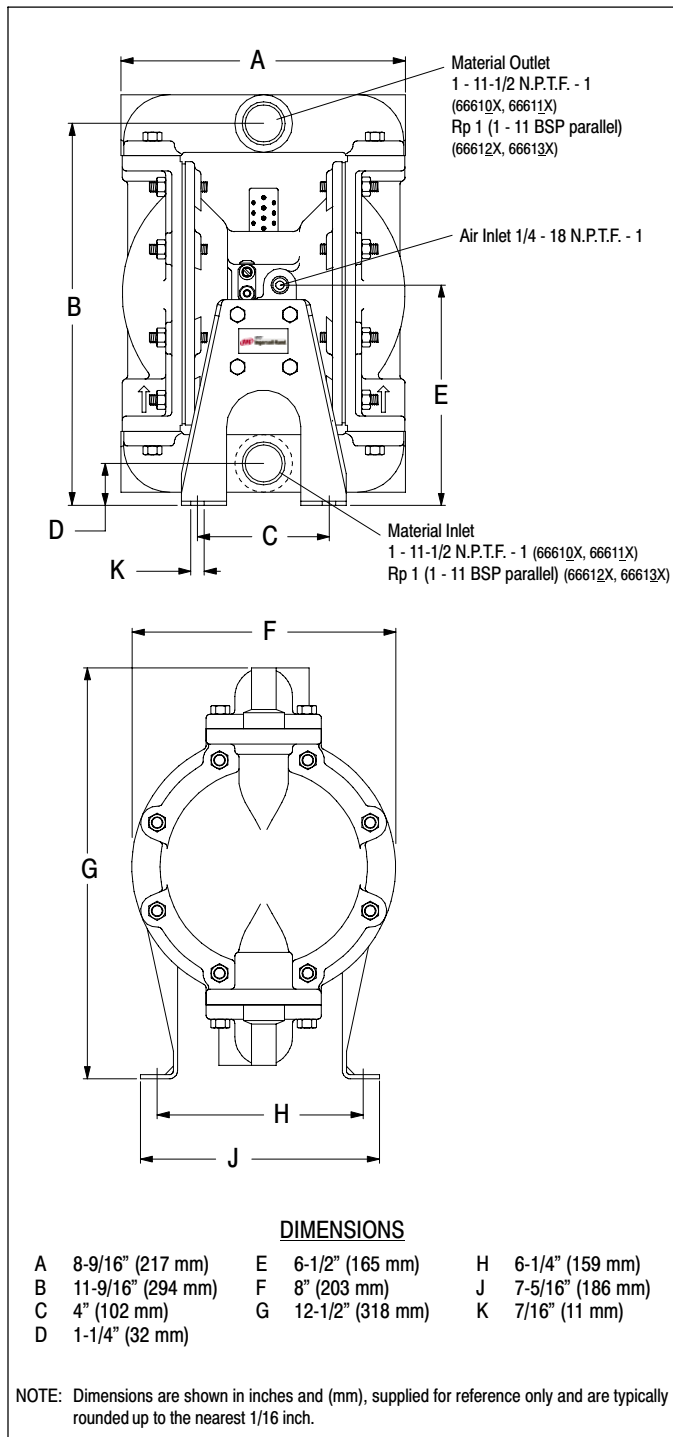
66610X-XXX-C

1" METALLIC DIAPHRAGM PUMP

| | |
|---------------------|-----------------|
| RATIO SERIES: | 1:1 |
| FLUID P.S.I. RANGE: | 20 - 120 |

RELEASED: 12-20-96
 REVISED: 3-2-06
 (REV. 03) S-878

DIMENSIONAL DATA



SPECIFICATIONS

CONSTRUCTION

| | |
|---|--|
| Model Series | 66610X-XXX-C |
| Pump Type | Metallic, Air Operated, Double Diaphragm |
| Ratio | 1:1 |
| Material Inlet / Outlet (female) | |
| 66610X-X-C and 66611X-X-C ... | 1 - 11-1/2 N.P.T.F. - 1 |
| 66612X-X-C and 66613X-X-C ... | Rp 1 (1 - 11 BSP parallel) |
| Air Inlet (female) | 1/4 - 18 N.P.T.F. - 1 |
| Air Exhaust (female) | 3/8 - 18 N.P.T.F. - 1 |
| Weight | |
| Aluminum | 19 lbs (8.62 kgs) |
| Cast Iron | 31 lbs (14.06 kg) |
| Stainless Steel | 36 lbs (16.33 kgs) |
| | (add 8 lbs (3.63 kgs) for cast iron air motor section) |
| Air Section Service Kit | 637118-C |
| Fluid Section Service Kit | 637119-XX-C |

66610X - X -C
 637119 - -C

Diaphragm Material
 Ball Material

EXAMPLE: Model 666100-361-C
 Fluid Section Service Kit is 637119-61-C

PERFORMANCE

| | |
|--|---------------------------------|
| Air Inlet Pressure Range | 20 - 120 p.s.i. (1 - 8.3 bar) |
| Maximum Material Inlet Pressure ... | 10 p.s.i. (0.69 bar) |
| Fluid Pressure Range | 20 - 120 p.s.i. (1 - 8.3 bar) |
| Maximum Flow Rate (flooded inlet) | 35 g.p.m. (133 l.p.m.) |
| Maximum Particle Size | 1/8" dia. (3.2 mm) |
| Maximum Temperature Limits (diaphragm / ball / seal material) | |
| Acetal | 10° to 180° F (-12° to 82° C) |
| E.P.R. / EPDM | -60° to 280° F (-51° to 138° C) |
| Hytrek | -20° to 150° F (-29° to 66° C) |
| Neoprene | 0° to 200° F (-18° to 93° C) |
| Nitrile | 10° to 180° F (-12° to 82° C) |
| Polypropylene | 35° to 150° F (2° to 66° C) |
| Polyurethane | 10° to 150° F (-12° to 66° C) |
| P.V.D.F. (Kynar) | 10° to 200° F (-12° to 93° C) |
| Santoprene | -40° to 225° F (-40° to 107° C) |
| T.F.E. (Teflon) | 40° to 225° F (4° to 107° C) |
| Viton | -40° to 350° F (-40° to 177° C) |
| Displacement / Cycle @ 100 p.s.i. .. | 0.16 gal. (0.60 lit.) |
| Noise Level @ 70 p.s.i. - 60 c.p.m. ① | 64.5 db(A) ② |

① Tested with 93110 muffler installed.
 ② The pump sound pressure level has been updated to an Equivalent Continuous Sound Level (L_{Aeq}) to meet the intent of ANSI S1. 13-1971, CAGI-PNEUROPS S5.1 using four microphone locations.

ACCESSORIES:

- 65010 Neoprene "O" Ring Air Motor Kit
- 65764 Viton "O" Ring Air Motor Kit
- 66073-2 Air Line Connection Kit
- 637167 Abrasion Resistant Conversion Kit



PERFORMANCE CURVES

6661XX-XXX-C 1" METALLIC DIAPHRAGM PUMP

