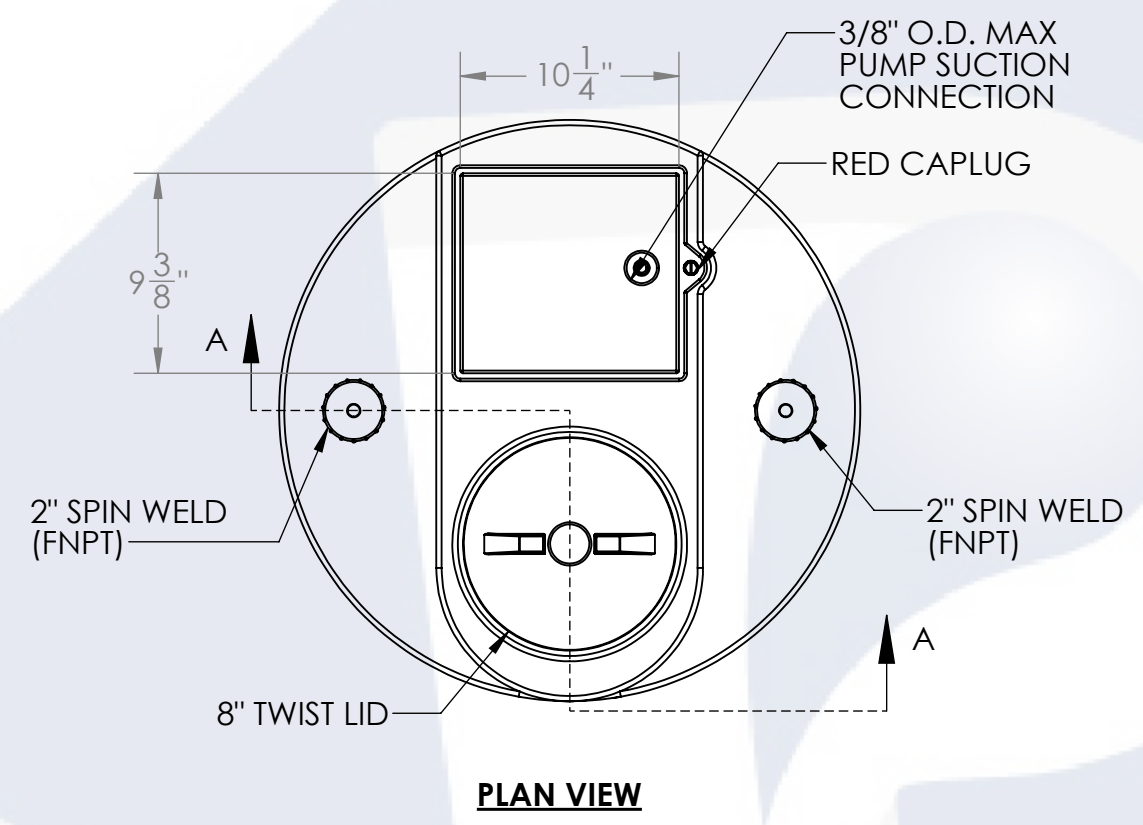
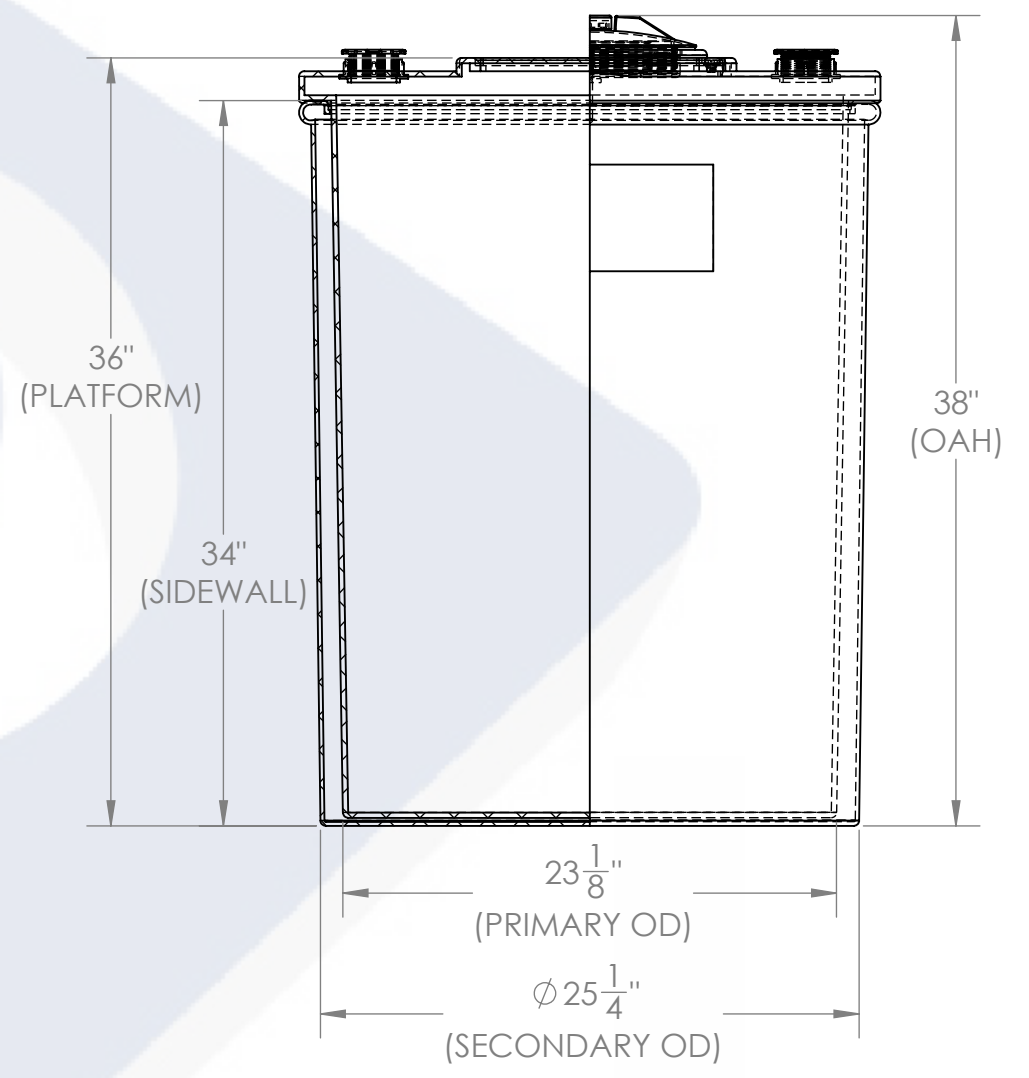




**ISOMETRIC VIEW
(ASSEMBLED)**



PLAN VIEW



SECTION A-A

62 GALLON GEMINI TANK, Ø26" x 38"	PART NUMBER		ASSEMBLED WEIGHTS (LBS)
	BLUE	NATURAL	
LPE (1.5)	01-14877	01-1077	55
LPE (1.9)	01-29776	01-29767	60
XLPE (1.5)	CALL FOR INFO	01-30128	55
XLPE (1.9)	CALL FOR INFO	01-30139	60

ALTERNATIVE MATERIALS, COLOR, AND ACCESSORIES ARE AVAILABLE. CALL FOR ADDITIONAL INFO.

**62 GALLON GEMINI TANK, INNER
73 GALLON GEMINI TANK, OUTER**

PROPRIETARY AND CONFIDENTIAL
THE INFORMATION CONTAINED IN THIS DRAWING IS THE SOLE PROPERTY OF PEABODY ENGINEERING. ANY REPRODUCTION IN PART OR AS A WHOLE WITHOUT THE WRITTEN PERMISSION OF PEABODY ENGINEERING IS PROHIBITED.

UNLESS OTHERWISE SPECIFIED:
DIMENSIONS ARE IN INCHES
TOLERANCES: ±1/4"
ANGULAR: ±.5°
ONE PLACE DECIMAL: ±.25
TWO PLACE DECIMAL: ±.125
THREE PLACE DECIMAL: ±.063

TANK MATERIAL: **LPE**

INNER TANK S/N:
OUTER TANK S/N:
CUSTOMER PO#

DO NOT SCALE DRAWING

	NAME	DATE
DRAWN	SMF	06/02/22
CHECKED		
ENG APPR.		
MFG APPR.		
Q.A.		

PEABODY
מטבחה

PROJECT: **GEMINI DUAL CONTAINMENT TANKS**

CUSTOMER: **PEABODY STANDARD**

SITE/LOCATION: -

SALES ORDER:

SIZE	DESC.	REV.
B	62 GALLON GEMINI TANK, Ø26" x 38"	G

SCALE: 1:9 SHEET 1 OF 1