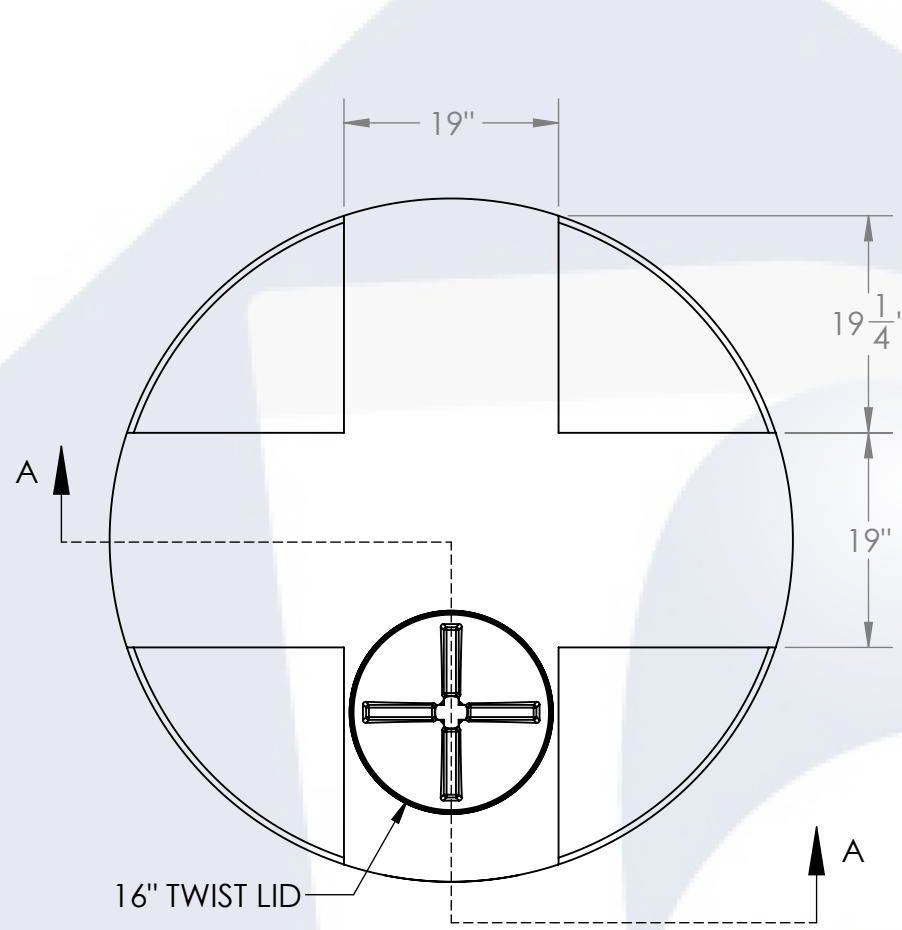
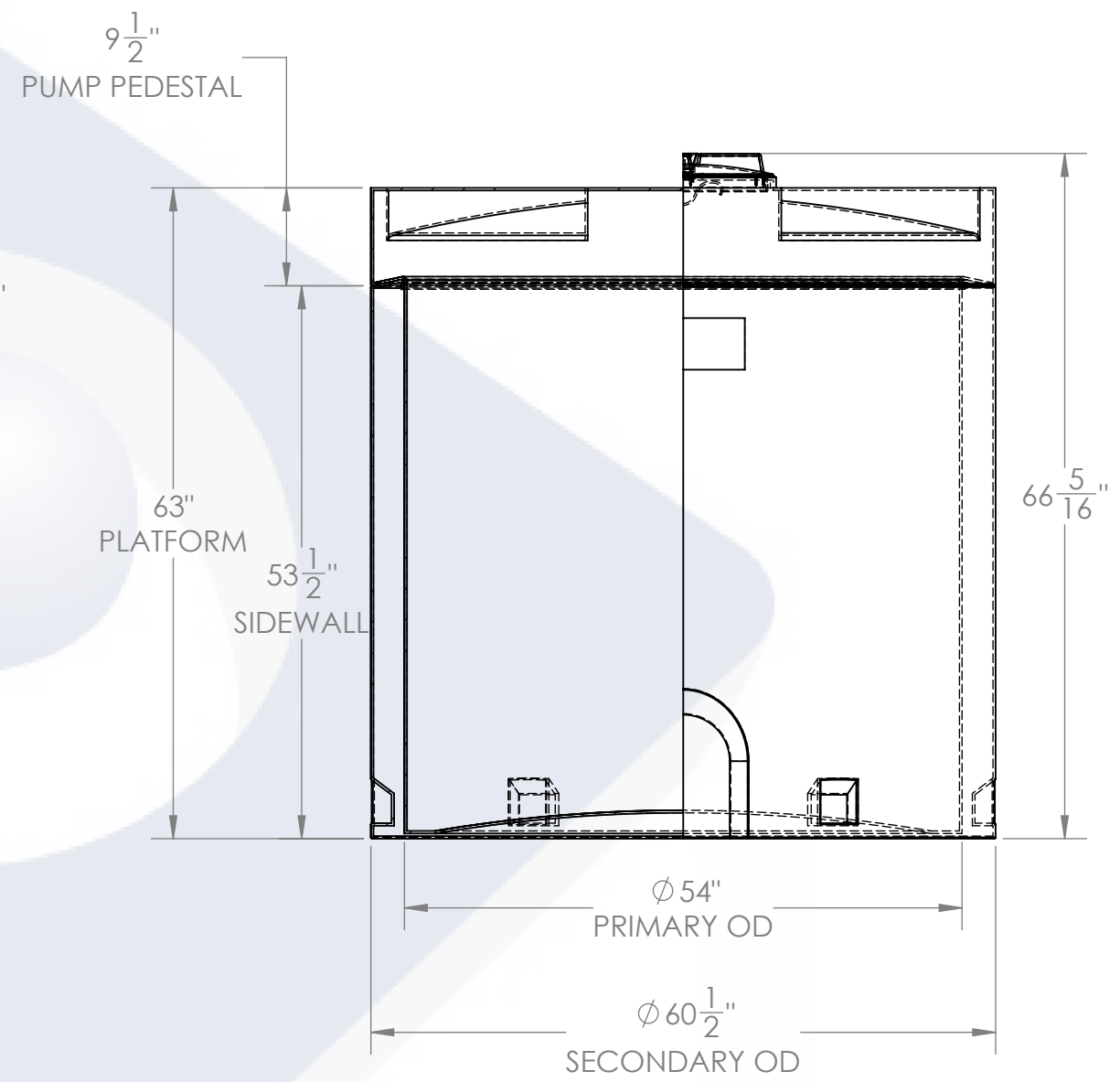




**ISOMETRIC VIEW  
(ASSEMBLED)**



**PLAN VIEW**



**SECTION A-A**

	PART NUMBER	
	BLUE	NATURAL
<b>500 GALLON GEMINI TANK, Ø61" x 67"</b>		
POLYETHYLENE LDPE (SD 1.5)	01-14876	01-14875
POLYETHYLENE LDPE (HD 1.9)	01-29780	01-29771
CROSSLINK XLPE (SD 1.5)	CALL FOR INFO	01-30134
CROSSLINK XLPE (HD 1.9)	CALL FOR INFO	01-30145
ALTERNATIVE MATERIALS, COLOR, AND ACCESSORIES ARE AVAILABLE. CALL FOR ADDITIONAL INFO.		

ALTERNATE CONFIGURATION TO MEET  
NSF/ANSI STANDARD 61 AVAILABLE

**PROPRIETARY AND CONFIDENTIAL**  
THE INFORMATION CONTAINED IN THIS  
DRAWING IS THE SOLE PROPERTY OF  
PEABODY ENGINEERING. ANY  
REPRODUCTION IN PART OR AS A WHOLE  
WITHOUT THE WRITTEN PERMISSION OF  
PEABODY ENGINEERING IS  
PROHIBITED.

UNLESS OTHERWISE SPECIFIED:  
DIMENSIONS ARE IN INCHES  
TOLERANCES: ±1/4"  
ANGULAR: ± .5°  
ONE PLACE DECIMAL: ± .25  
TWO PLACE DECIMAL: ± .125  
THREE PLACE DECIMAL: ± .063

TANK MATERIAL:  
INNER TANK S/N:  
OUTER TANK S/N:  
CUSTOMER PO#

DO NOT SCALE DRAWING

	NAME	DATE
DRAWN	JDM	3/24/22
CHECKED		
ENG APPR.		
MFG APPR.		
Q.A.		



PROJECT: <b>GEMINI DUAL CONTAINMENT TANKS</b>		
CUSTOMER: <b>PEABODY STANDARD</b>		
SITE/LOCATION: -		
SALES ORDER:		
SIZE	DESC.	REV.
<b>B</b>	<b>500 GALLON GEMINI TANK, Ø61" x 67"</b>	<b>B1</b>
SCALE: 1:17		SHEET 1 OF 1