

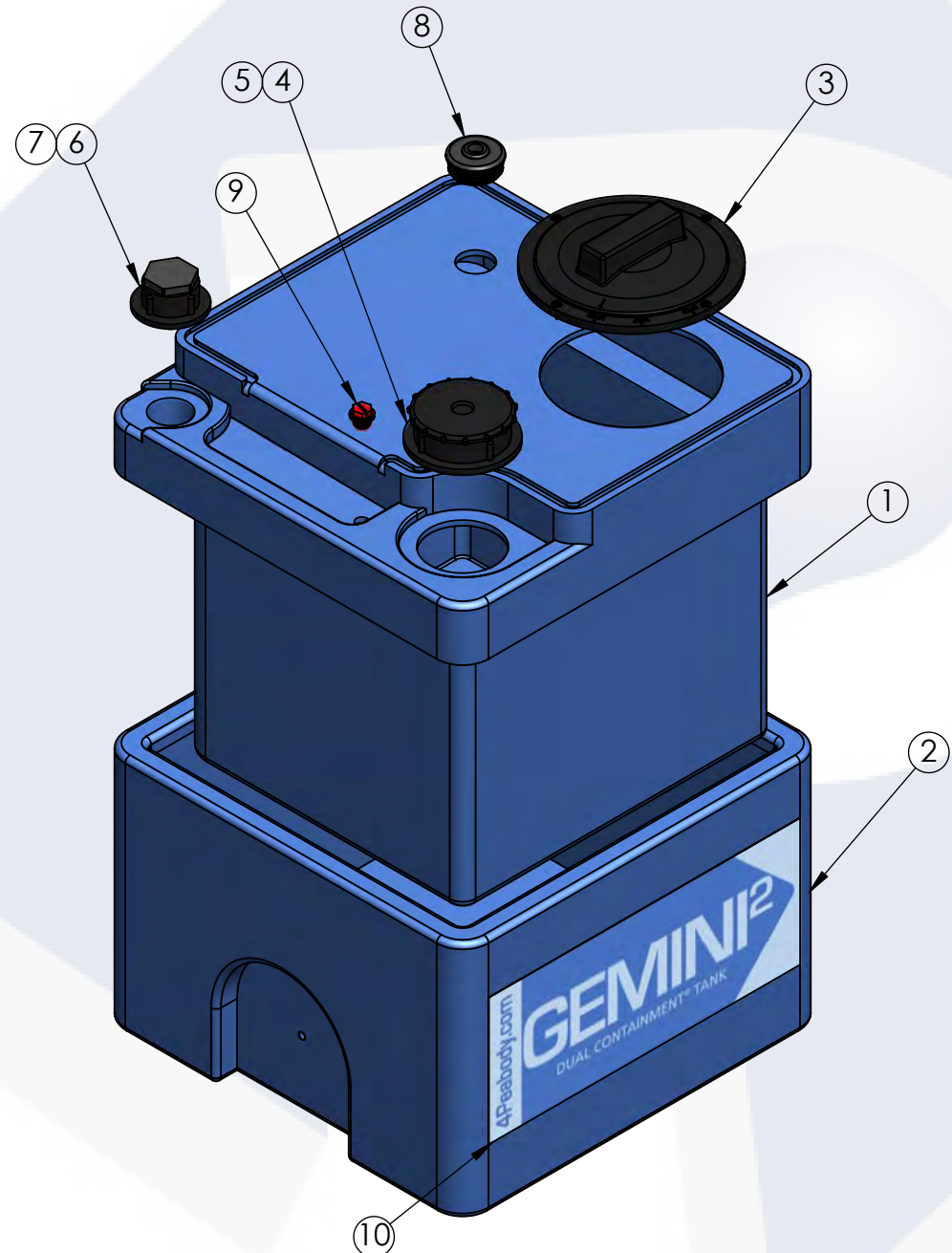
5 GALLON GEMINI ²	PART NUMBER	
	BLUE	NATURAL
LPE (1.5)	01-31922	01-31923
LPE (1.9)	01-31924	01-31925
XLPE (1.5)	N/A	01-31926
XLPE (1.9)	N/A	01-31927

ALTERNATE CONFIGURATION TO MEET NSF/ANSI STANDARD 61 AVAILABLE

TOP LEVEL ASSEMBLY		
ITEM NO.	DESCRIPTION	QTY.
1	5G GEMINI ² , PRIMARY TANK	1
2	5G GEMINI ² , SECONDARY TANK	1
3	Ø6" OD / 4" ID TWIST LID ASSEMBLY	1
4	Ø2" FNPT SPIN WELD FITTING, PE	1
5	Ø2" MPT PLUG, PE, BLACK	1
6	Ø1" FNPT SPIN WELD FITTING, PE	1
7	Ø1" PLUG, MPT, PE, BLACK	1
8	Ø1-5/8" CAPLUG / GROMMET ASSY	1
9	RED CAPLUG / O-RING SUB-ASSY	1
10	GEMINI ² MOLD IN LOGO	1



ISOMETRIC VIEW (ASSEMBLED)

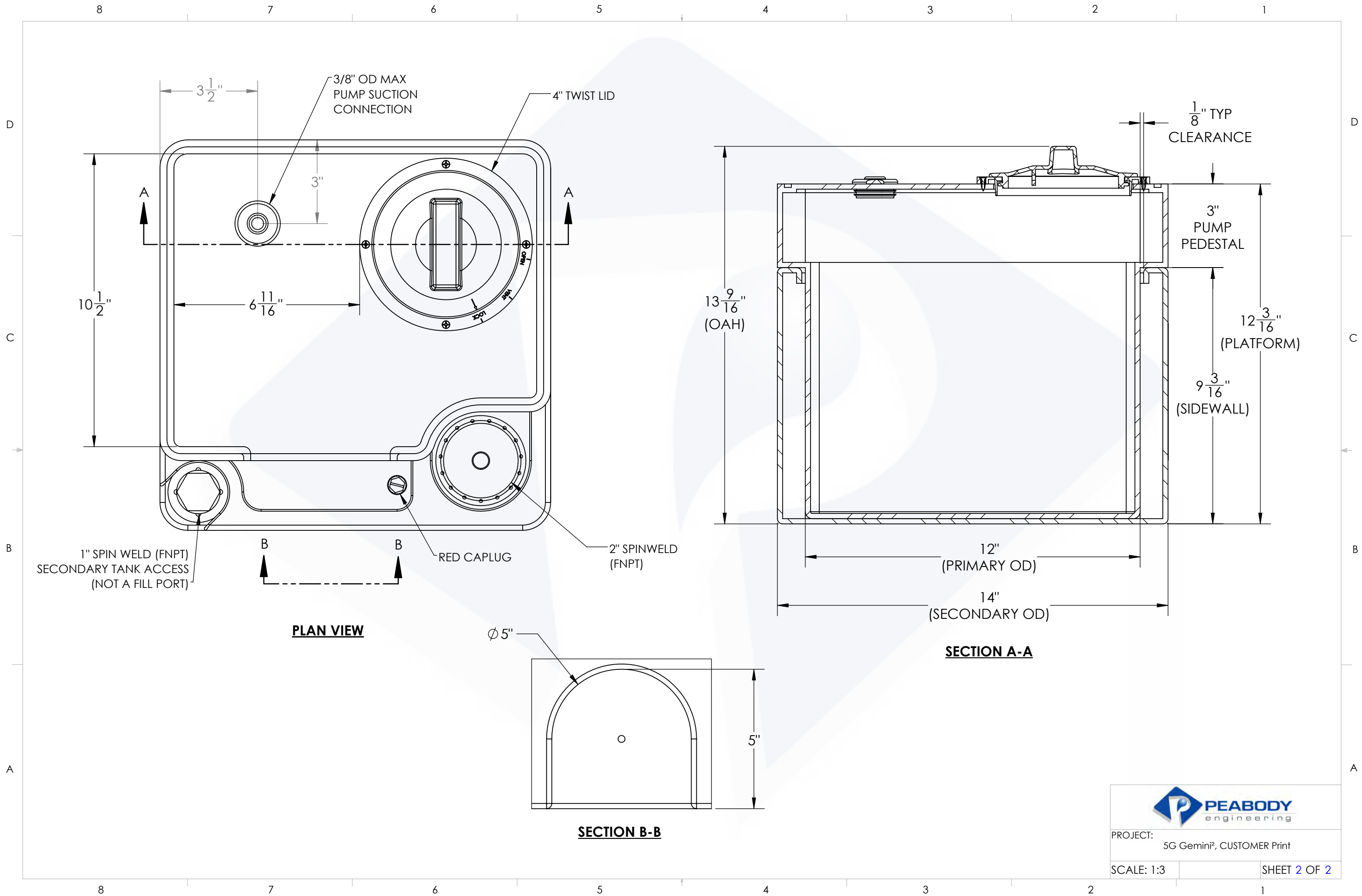


ISOMETRIC VIEW (EXPLODED)

- NOTES:**
- CAPACITY: 5 GAL. NOMINAL
 - APPROXIMATE WEIGHT: 10 LBS
 - TANK MATERIAL: LLDPE W/ UV INHIBITOR
 - GASKETS: EPDM
 - SERVICE PRESSURE: ATMOSPHERIC

PROPRIETARY AND CONFIDENTIAL
 THE INFORMATION CONTAINED IN THIS DRAWING IS THE SOLE PROPERTY OF PEABODY ENGINEERING. ANY REPRODUCTION IN PART OR AS A WHOLE WITHOUT THE WRITTEN PERMISSION OF PEABODY ENGINEERING IS PROHIBITED.

UNLESS OTHERWISE SPECIFIED:		NAME	DATE		
DIMENSIONS ARE IN INCHES		DRAWN	AAF		7/2/19
TOLERANCES: ±1/4"		CHECKED			
ANGULAR: ±.5°		ENG APPR.			
ONE PLACE DECIMAL: ± .25		MFG APPR.			
TWO PLACE DECIMAL: ± .125		Q.A.			
THREE PLACE DECIMAL: ± .063		ALTERNATIVE VERSIONS		PROJECT: GEMINI DUAL CONTIANMENT TANKS	
TANK MATERIAL: LPE	INNER TANK S/N:	MATERIALS: XLPE, PPL, PVDF		CUSTOMER: PEABODY STANDARD	
OUTER TANK S/N:	CUSTOMER PO#	COLORS: NATURAL, BLUE OR BLACK		SITE/LOCATION: -	
DO NOT SCALE DRAWING		CALL FOR PART NUMBERS		DRAWING#: SEE TABLE	
		SIZE	DESC.	REV.	
		B	5 GALLON GEMINI² TANK, 14" x 14" x 13-1/2"	C	
		SCALE: 1:5	SHEET 1 OF 2		



PROJECT: 5G Gemini², CUSTOMER Print

SCALE: 1:3

SHEET 2 OF 2