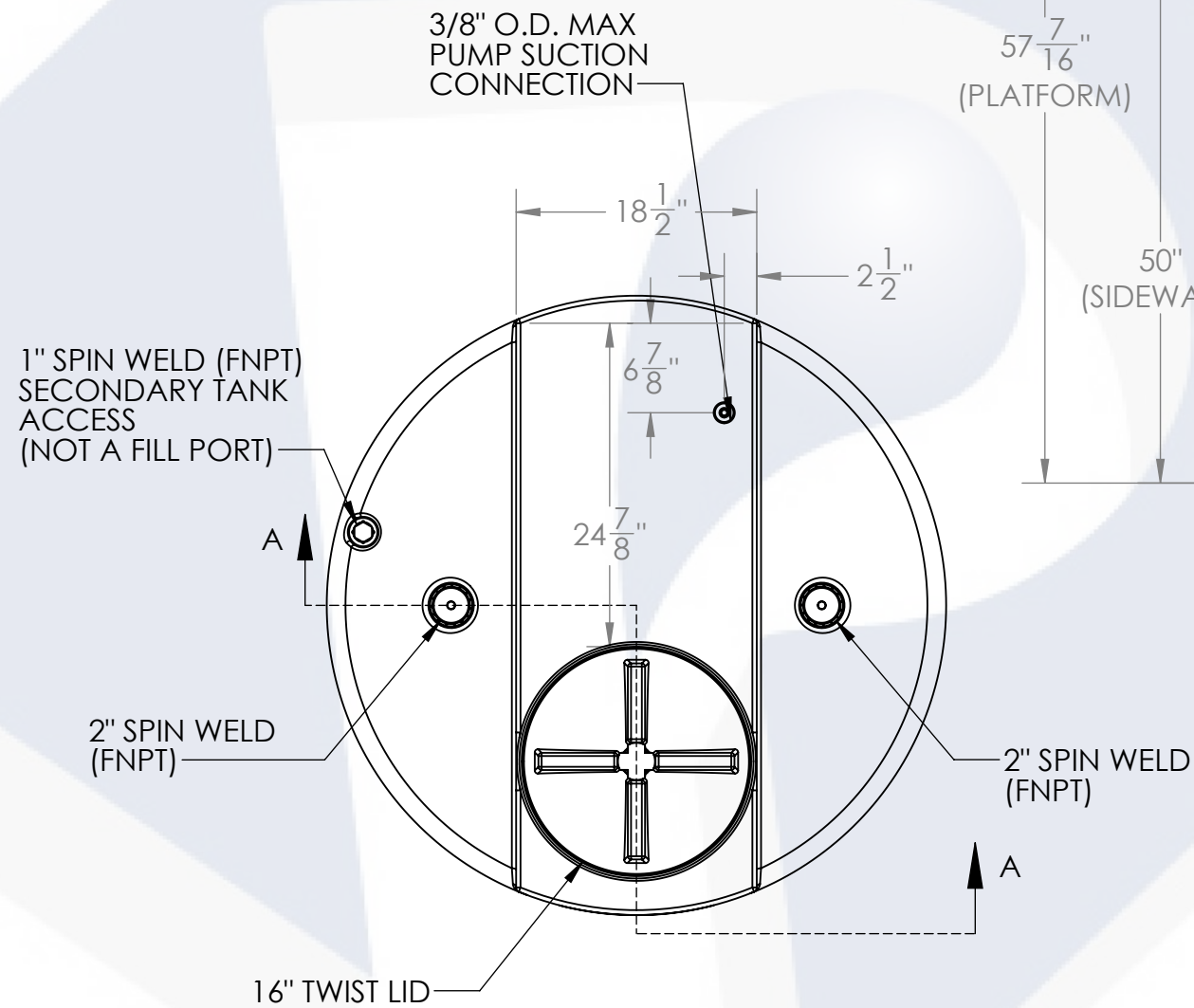
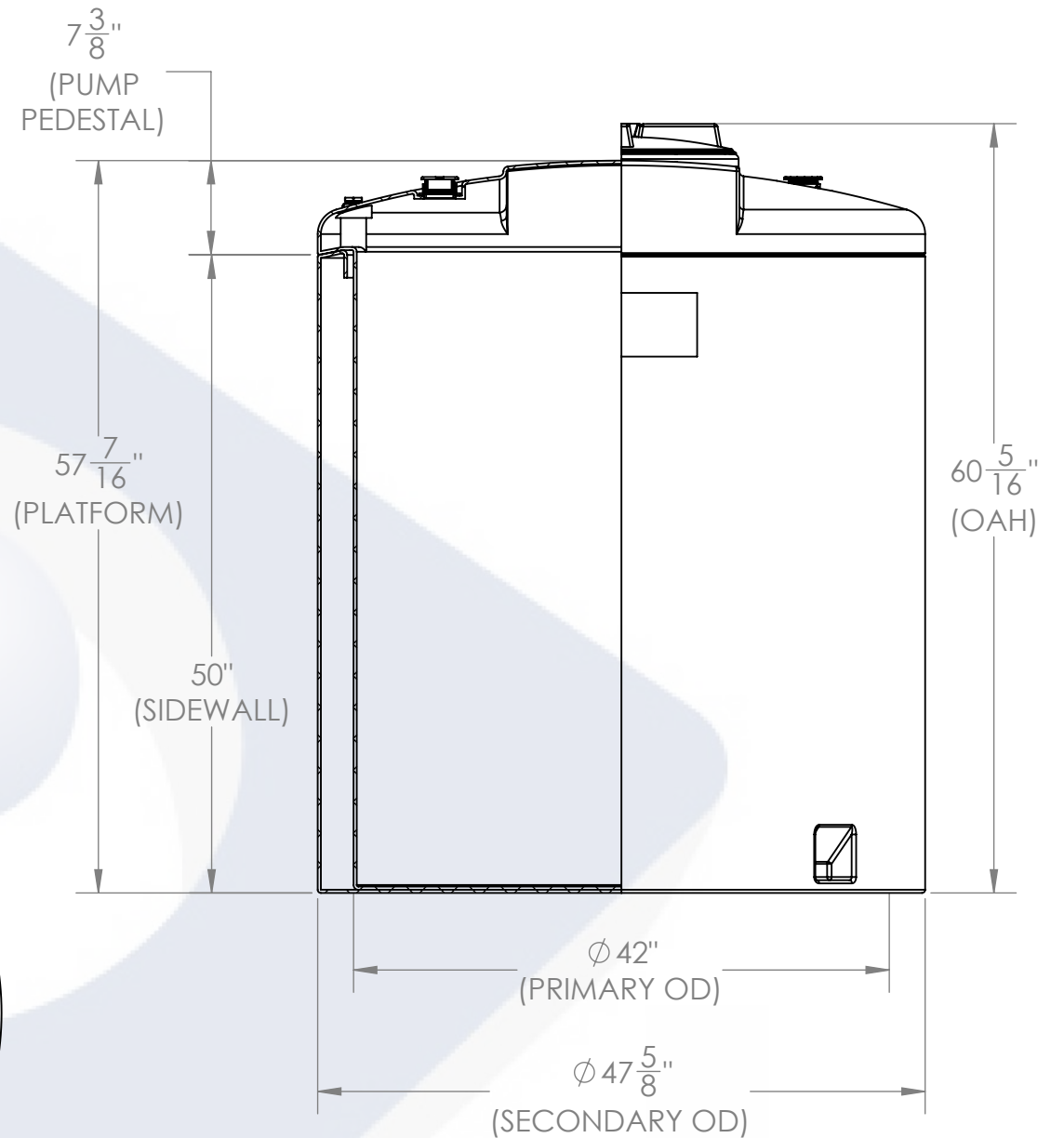




**ISOMETRIC VIEW
(ASSEMBLED)**



PLAN VIEW



SECTION A-A

ALTERNATE CONFIGURATION TO MEET
NSF/ANSI STANDARD 61 AVAILABLE

320 GALLON GEMINI TANK, Ø48" x 61"	PART NUMBER	
	BLUE	NATURAL
POLYETHYLENE LDPE (SD 1.5)	01-14873	01-1075
POLYETHYLENE LDPE (HD 1.9)	01-29779	01-29770
CROSSLINK XLPE (SD 1.5)	CALL FOR INFO	01-30133
CROSSLINK XLPE (HD 1.9)	CALL FOR INFO	01-30144
ALTERNATIVE MATERIALS, COLOR, AND ACCESSORIES ARE AVAILABLE. CALL FOR ADDITIONAL INFO.		

PROPRIETARY AND CONFIDENTIAL
THE INFORMATION CONTAINED IN THIS DRAWING IS THE SOLE PROPERTY OF PEABODY ENGINEERING. ANY REPRODUCTION IN PART OR AS A WHOLE WITHOUT THE WRITTEN PERMISSION OF PEABODY ENGINEERING IS PROHIBITED.

UNLESS OTHERWISE SPECIFIED:
DIMENSIONS ARE IN INCHES
TOLERANCES: ±1/4"
ANGULAR: ±.5°
ONE PLACE DECIMAL: ±.25
TWO PLACE DECIMAL: ±.125
THREE PLACE DECIMAL: ±.063

TANK MATERIAL:
INNER TANK S/N:
OUTER TANK S/N:
CUSTOMER PO#

DO NOT SCALE DRAWING

NAME	DATE	PEABODY engineering	
DRAWN: AAF	8/19/19	PROJECT:	GEMINI DUAL CONTAINMENT TANKS
CHECKED:		CUSTOMER:	PEABODY STANDARD
ENG APPR.:		SITE/LOCATION:	-
MFG APPR.:		SALES ORDER:	
Q.A.:		SIZE	DESC.
		B	320 GALLON GEMINI TANK, Ø48" x 61"
		SCALE: 1:14	REV. G
		SHEET 1	OF 1