

# Technical data sheet

JUNIORFLUX



We deliver values.

## JUNIORFLUX



### Special features:

- ▶ Motor and pump tightly connected
- ▶ Two pump types available - with mechanical seal or sealless
- ▶ With mains connection
- ▶ Internal ventilated commutator motor
- ▶ Motor double insulated - protection class II
- ▶ Two step speed adjustment
- ▶ With overload cut-out switch
- ▶ 230 Volt version VDE-GS approved
- ▶ Ergonomic design handle - one-handed operation
- ▶ Holding hook for medium hose

### Commutator motor FEM 3070

| Motor type                             | Storage of motor | Speed control | Allowed ambient temperature in operation [°C] | Allowed ambient temperature on storage [°C] | Max. viscosity [mPas] | Protection class | Weight [kg] | Protection class |
|--|------------------|---------------|---|---|-----------------------|------------------|-------------|------------------|
| internally ventilated commutator motor | ball-bearing     | 2-steps       | -20 to +40                                    | -20 to +60                                  | 250                   | IP24             | 1,5         | II               |

| Nominal voltage [V] | Power frequency [Hz] | Rated power [W] | Type of plug according to norm:           | Cable length [m] |
|---------------------|----------------------|-----------------|---|------------------|
| 240                 | 50                   | 230             | Europe: CEE 7/XVII                        | 5                |
| 230                 | 50-60                | 230             | Europe: CEE 7/XVII<br>Switzerland: Typ 11 | 5                |
| 120                 | 60                   | 230             | North America: NEMA 1-15P                 | 5                |
| 110                 | 50-60                | 230             | Europe: CEE 7/XVII                        | 5                |
| 100                 | 50-60                | 230             | Japan: JISC 8308, 8358 7A                 | 5                |

### Pumpe F 310/F 314

| Type  | F 310 PP-25/19                                      | F 310 PP-32/25 | F 314 PP-25/19 | F 314 PP-32/25                     | F 314 PVDF-25/19        | F 314 S-28/25                        |
|---|---|----------------|----------------|------------------------------------|-------------------------|--------------------------------------|
| Outer tube material   | polypropylene                                       |                |                |                                    | polyvinylidene fluoride | stainless steel                      |
| Type of seal  | with mechanical seal                                |                |                | sealless                           |                         |                                      |
| Immersion length [mm]   | 300/500/700/1.000                                   |                | 500/700/1.000  |                                    |                         |                                      |
| Outer Ø [mm]  | 25  | 32             | 25             | 32                                 | 25                      | 28                                   |
| Connection thread   | G1 A*   |                |                |                                    |                         | G ¾ A                                |
| Materials in contact with the medium                            | PP, ETFE, Oxidkeramik/PTFE/carbon, FKM, Hastelloy C |                |                | PP, ETFE, PTFE/carbon, Hastelloy C |                         | PVDF, ETFE, PTFE/carbon, Hastelloy C |
| Viscosity max. [mPas]   | 250   |                |                |                                    |                         |                                      |
| Temperature of medium max. [°C]                                 | 45  |                |                |                                    | 60                      |                                      |
| Weight including motor [kg] at a length of 300/500/700/1.000 mm | 1,6/1,8/2,0/2,1                                     | - /1,8/2,0/2,1 | - /1,8/2,0/2,1 | - /1,8/2,0/2,1                     | - /2,0/2,2/2,4          | - /2,8/3,0/3,2                       |

\*Hose connections DN 13 and DN 19 included

# Performance data

## JUNIORFLUX

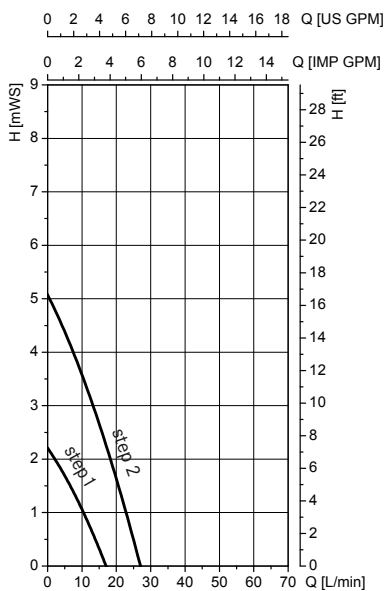
### Performance data

| Speed                              | Delivery rate Q max.<br>[l/min]* at: |        | Delivery head H max.<br>[mWs]** at: |        |
|------------------------------------|--------------------------------------|--------|-------------------------------------|--------|
|                                    | step 1                               | step 2 | step 1                              | step 2 |
| F 310 PP-25/19                     | 17                                   | 27     | 2,2                                 | 5      |
| F 310 PP-32/25                     | 30                                   | 48     | 3                                   | 6,9    |
| F 314 PP-25/19<br>F 314 PVDF-25/19 | 27                                   | 40     | 2,8                                 | 5,3    |
| F 314 PP-32/25<br>F 314 S-28/25    | 43                                   | 55     | 4,6                                 | 8,5    |

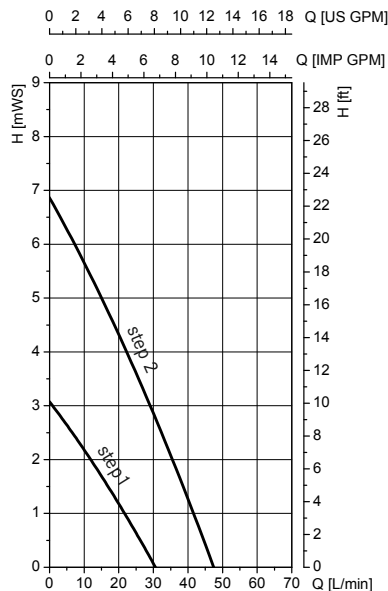
### Performance charts\*

#### JUNIORFLUX

F 310 PP-25/19

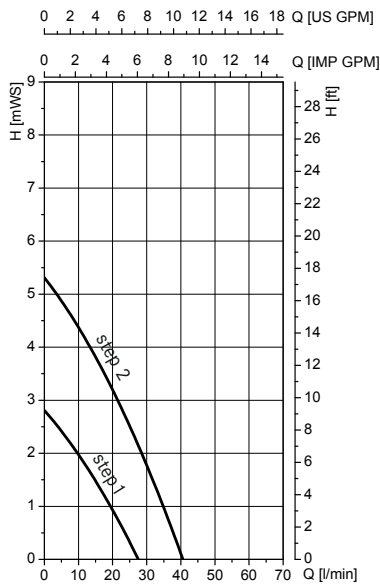


F 310 PP-32/25



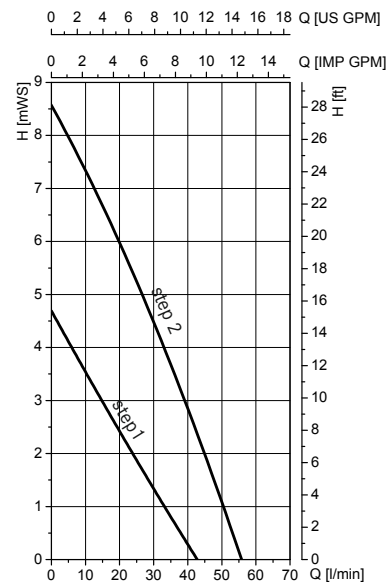
F 314 PP-25/19

F 314 PVDF-25/19



F 314 PP-32/25

F 314 S-28/25



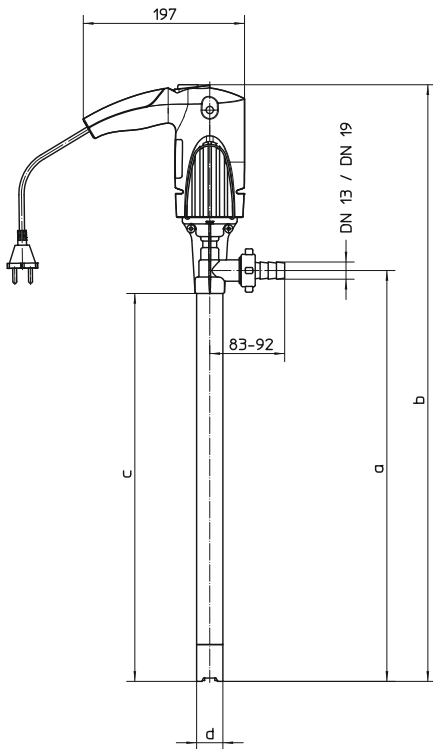
\* measured with free outlet, water at 20 °C, values ± 10 %  
\*\* measured with water at 20 °C

# Dimensions

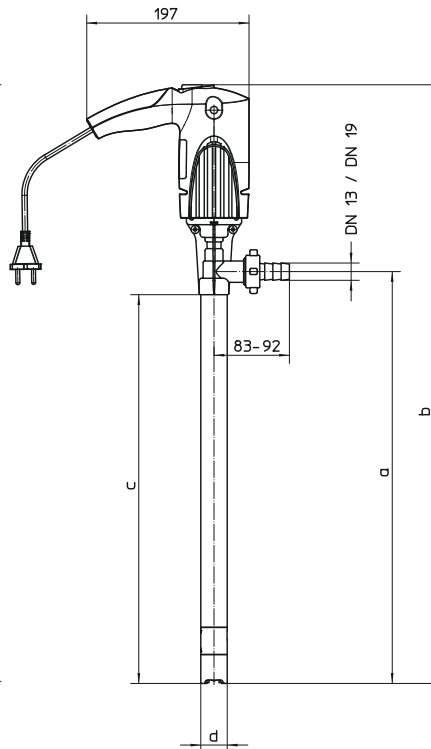
## JUNIORFLUX

### Dimensions [mm]

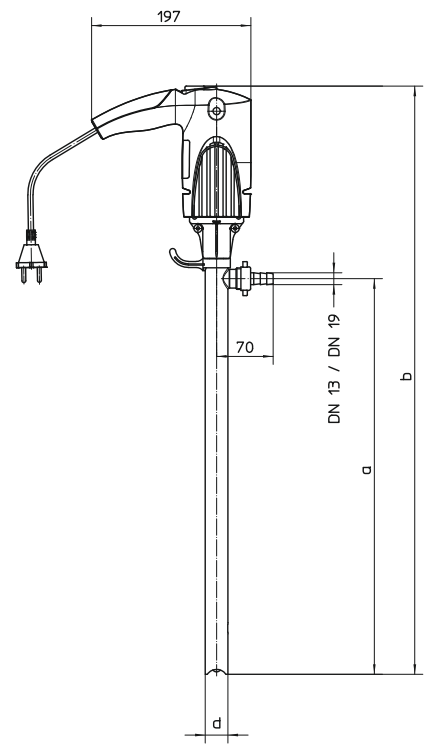
#### JUNIORFLUX F 310 PP



#### JUNIORFLUX F 314 PP/PVDF



#### JUNIORFLUX F 314 S



| Immersion length | a     | b     | c   | d    |      |
|------------------|-------|-------|-----|------|------|
| 1.000            | 1.002 | 1.229 | 974 | Ø 25 | Ø 32 |
| 700              | 702   | 929   | 674 |      |      |
| 500              | 502   | 729   | 474 |      |      |

Dimensions in mm

| Immersion length | a     | b     | c   | d    |       |
|------------------|-------|-------|-----|------|-------|
| 1.000            | 1.000 | 1.227 | 972 | Ø 25 | Ø 32* |
| 700              | 700   | 927   | 672 |      |       |
| 500              | 500   | 727   | 472 |      |       |

Dimensions in mm

\* Version Ø 32 mm available in PP

| Immersion length | a   | b    | c | d    |
|------------------|-----|------|---|------|
| 1.000            | 989 | 1192 | - | Ø 28 |
| 700              | 689 | 892  | - |      |
| 500              | 489 | 692  | - |      |

Dimensions in mm

| Pump kit                       | F 310 PP-32/25                   | F 314 PP-25/19 | F 314 PP-32/25 | F 314 PP/S-32/25<br>AdBlue® version |
|--------------------------------|----------------------------------|----------------|----------------|-------------------------------------|
| Motor                          | FEM 3070, 230 V, 50-60 Hz, 230 W |                |                |                                     |
| Cable length [m]               | 5                                |                |                |                                     |
| Type o plug according to norm: | Europe: CEE 7/XVII               |                |                |                                     |
| Outer tube material            | polypropylene (PP)               |                |                |                                     |
| Seal type                      | with mechanical seal             | sealless       |                |                                     |
| Shaft material                 | Hastelloy C                      |                |                | Stainless steel                     |
| Immersion length [mm]          | 1.000                            | 700/1.000      | 1.000          | 1.000                               |
| Outer Ø [mm]                   | 32                               | 25             | 32             | 32                                  |
| Hose connector                 | DN 19                            | DN 13          | DN 19          | DN 19                               |
| Hose material                  | PVC                              |                |                |                                     |
| Hose length [m]                | 1,5                              |                |                | 2                                   |
| Hose Ø                         | DN 19                            | DN 13          | DN 19          | DN 19                               |
| Material hand nozzle/seal      | PP/FKM                           |                |                |                                     |
| Connection hand nozzle         | DN 19                            | DN 13          | DN 19          | DN 19                               |
| Hand nozzle outlet Ø [mm]      | 22                               |                |                | 19                                  |
| Weight [kg]                    | 2,4                              |                |                |                                     |



JUNIORFLUX pump kit F 314 PP-25/19



JUNIORFLUX pump kit AdBlue®

# Part numbers

## JUNIORFLUX pump with fixed commutator motor FEM 3070

| Pump             |                       | Motor        |                 |                                 |              |                 |                 |
|------------------|-----------------------|--------------|-----------------|---------------------------------|--------------|-----------------|-----------------|
| Pump type        | Immersion length (mm) | 240 V, 50 Hz | 230 V, 50-60 Hz | 230 V, 50-60 Hz (Swiss version) | 120 V, 60 Hz | 110 V, 50-60 Hz | 100 V, 50-60 Hz |
| F 310 PP-25/19   | 300                   | 310 41 403   | 310 41 003      | on request                      | 310 41 103   | 310 41 203      | 310 41 303      |
|                  | 500                   | 310 41 405   | 310 41 005      | 310 41 505                      | 310 41 105   | 310 41 205      | 310 41 305      |
|                  | 700                   | 310 41 407   | 310 41 007      | 310 41 507                      | 310 41 107   | 310 41 207      | 310 41 307      |
|                  | 1.000                 | 310 41 410   | 310 41 010      | 310 41 510                      | 310 41 110   | 310 41 210      | 310 41 310      |
| F 310 PP-32/25   | 500                   | 310 42 405   | 310 42 005      | on request                      | 310 42 105   | 310 42 205      | on request      |
|                  | 700                   | 310 42 407   | 310 42 007      | 310 42 507                      | 310 42 107   | 310 42 207      |                 |
|                  | 1.000                 | 310 42 410   | 310 42 010      | 310 42 510                      | 310 42 110   | 310 42 210      |                 |
| F 314 PP-25/19   | 500                   | 314 41 405   | 314 41 005      | 314 41 505                      | 314 41 105   | 314 41 205      | 314 41 305      |
|                  | 700                   | 314 41 407   | 314 41 007      | 314 41 507                      | 314 41 107   | 314 41 207      | 314 41 307      |
|                  | 1.000                 | 314 41 410   | 314 41 010      | 314 41 510                      | 314 41 110   | 314 41 210      | 314 41 310      |
| F 314 PP-32/25   | 500                   | 314 42 405   | 314 42 005      | 314 42 505                      | 314 42 105   | 314 42 205      | on request      |
|                  | 700                   | 314 42 407   | 314 42 007      | 314 42 507                      | 314 42 107   | 314 42 207      |                 |
|                  | 1.000                 | 314 42 410   | 314 42 010      | 314 42 510                      | 314 42 110   | 314 42 210      |                 |
| F 314 PVDF-25/19 | 500                   | 314 61 405   | 314 61 005      | 314 61 505                      | on request   | 314 61 205      | 314 61 305      |
|                  | 700                   | 314 61 407   | 314 61 007      | 314 61 507                      |              | 314 61 207      | 314 61 307      |
|                  | 1.000                 | 314 61 410   | 314 61 010      | 314 61 510                      |              | 314 61 210      | 314 61 310      |
| F 314 S-28/25    | 500                   | 314 21 405   | 314 21 005      | on request                      | 314 21 105   | 314 21 205      | 314 21 305      |
|                  | 700                   | 314 21 407   | 314 21 007      | 314 21 507                      | 314 21 107   | 314 21 207      | 314 21 307      |
|                  | 1.000                 | 314 21 310   | 314 21 010      | 314 21 510                      | 314 21 110   | 314 21 210      | 314 21 310      |

### JUNIORFLUX pump kits with motor 230 V, 50-60 Hz, 230 W

| Pump type     | Immersion length | Outer Ø | Part no.   |
|---------------|------------------|---------|------------|
| F 310         | 1.000            | 32 mm   | 310 43 010 |
| F 314         | 700              | 25 mm   | 314 43 007 |
| F 314         | 1.000            | 25 mm   | 314 43 010 |
| F 314         | 1.000            | 32 mm   | 314 44 010 |
| F 314 AdBlue® | 1.000            | 32 mm   | 314 44 ZV2 |

#### Other accessories:

We offer the appropriate accessories for the JUNIORFLUX, such as: hand nozzles, hoses, compression glands or liquid meters. See our brochure for accessories and the price list for the precise specifications.

