



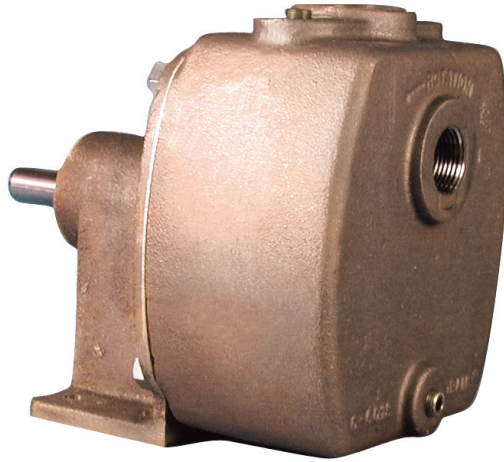
OBERDORFER PUMPS

by Gardner Denver

Bronze Pedestal Self-Priming Centrifugal Pumps

30PB Series

Pipe Size 1" NPT



Model	Description
30PB	Stainless Steel Shaft & NBR Mechanical Seal
30PB-01	Monel Shaft & NBR Mechanical Seal
30PBS-10	Stainless Steel Shaft & FKM Mechanical Seal
30PBS-11	Stainless Steel Shaft & PTFE Mechanical Seal

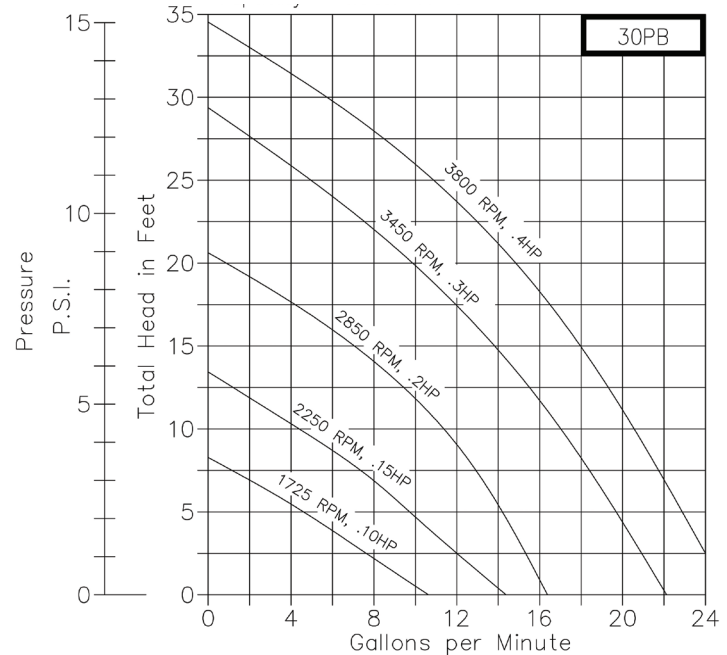
FEATURES:

- Self-Priming to 6.1 meters Suction Lift
- Rugged Bronze Construction
- Heavy Duty Ball Bearings Suitable for Pulley Drive Applications
- Bronze Models with Monel Shaft (30PB-1) Ideal for Marine Service. (Air Conditioning, Bilge, and Sea Water Recirculating)
- Can Handle Most Difficult Solvents with Proper Seal Arrangement, FKM (S10) or PTFE (S11) available
- Body O-ring eliminates gasket problems

Up to 22 GPM water flow and suction lift of 15 feet without a foot or check valve (25 foot suction lift using a foot or check valve and a filled inlet line). A 1/2" pipe plug on the tank top is for initial filling of priming chamber and inlet line--pump priming is automatic thereafter. Pump seal is mechanical carbon face type mated to ceramic wear face for maximum durability. Other seal components are made of NBR with low swell characteristics for compatibility with a wide range of liquids including many chemicals and solvents. These pump models are widely used for the pumping of Perchloroethylene. Must be operated in the horizontal position. (As shown in picture)

PERFORMANCE:

CAPACITY WATER AT 60° F



Capacity - Water 60 F - Gallons per Minute

Maximum lift without foot valve is 10 feet

Discharge Pressure		Suction Lift at 3450 RPM				
Feet	PSI	0 Ft	5 Ft	10 ft	15 Ft	20 Ft
0	0	22	20	17	14	10
5	2.2	20	17	14	10	5
10	4.3	17	14	10	5	-----
15	6.5	14	10	5	-----	-----
20	8.7	10	5	-----	-----	-----
25	10.8	5	-----	-----	-----	-----
30	13	3	-----	-----	-----	-----
35	15.2	1	-----	-----	-----	-----

SEAL OPTIONS:

(Note: Seal and shaft modifications below are not physically interchangeable. Consult factory for modification data.)

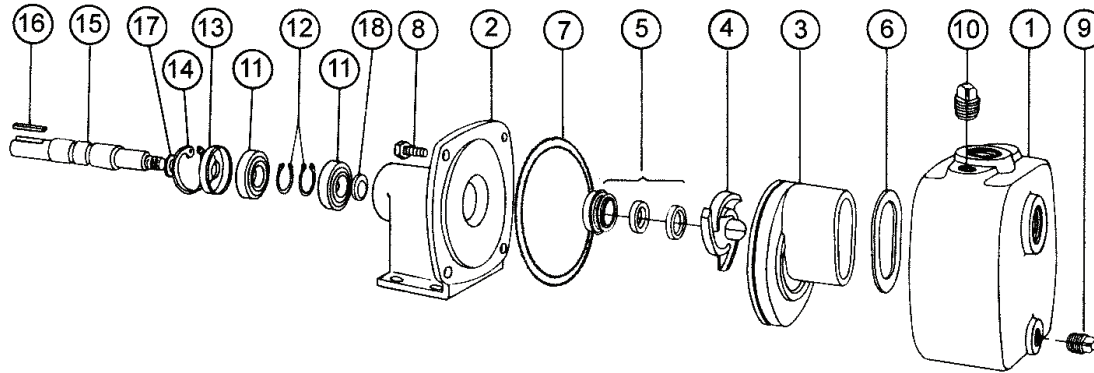
FKM A Solvent Mechanical Seal: Mechanical seal for oils, fuels, lubricants, most mineral acids, and many solvents that attack other rubbers such as Carbon Tetrachloride, toluene, benzene, and xylene.

PTFE Mechanical Seal: For virtually all industrial chemicals, corrosives and solvents - as limited by compatibility of basic pump metal of construction.

Bronze Pedestal Self-Priming Centrifugal Pumps

30PB Series

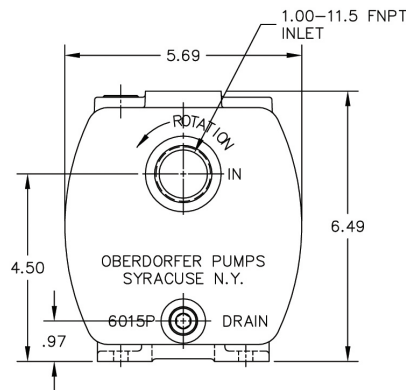
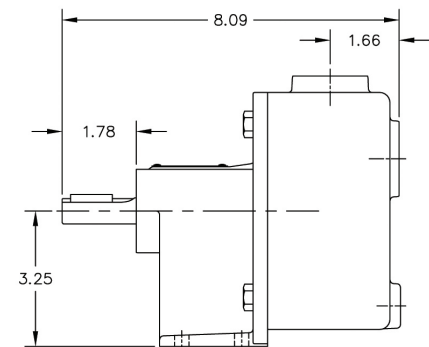
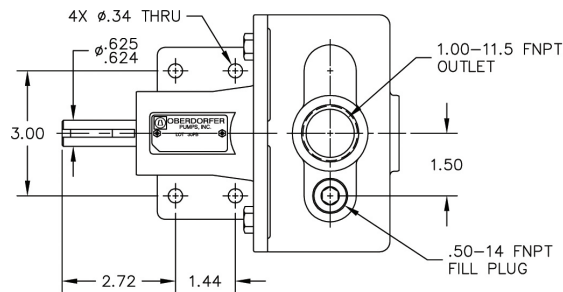
Exploded View



Parts List

	1	2	3	4	5	6	7	8	9	10	11	12	13
	Body	Pedestal	Diffuser	Impeller	Seal Assy	Diffuser Gasket	O-Ring	Screw	Plug	Plug	Ball Bearing	Retaining Ring	Lip Seal
Model	Qty. 1	Qty. 1	Qty. 1	Qty. 1	Qty. 1	Qty. 1	Qty. 1	Qty. 4	Qty. 1	Qty. 1	Qty. 2	Qty. 2	Qty. 1
30PB	7190	7445	7192	7193	32155	6021-09	9797-157	5411	7321	7443	5928	5926	6609
30PB-01	7190	7445	7192	7193	32155	6021-09	9797-157	5411	7321	7443	5928	5926	6609
30PBS-10	7190	7445	7192	7193	32210	2271	9797-157	5411	7321	7443	5928	5926	6609
30PBS-11	7190	7777	7192	7193	32211	2271	9355-157S	5411	7321	7443	5928	5926	6609

Dimensions



NBR = Acrylonitrile-Butadiene PTFE = Polytetrafluorethylene FKM = Fluoroelastomer

	14	15	16	17	18	19	20	Repair Kit
	Retaining Ring	Shaft	Key	Shim	Slinger	Tag	Tag Screw	
Model	Qty. 1	Qty. 1	Qty. 1	Varies	Qty. 1	Qty. 1	Qty. 2	
30PB	5925	7037	6567	602501, 02 or 03	7447	9344	9345	10865
30PB-01	5925	6890	6567	602501, 02 or 03	7447	9344	9345	10865
30PBS-10	5925	7037	6567	602501, 02 or 03	7447	9344	9345	11290
30PBS-11	5925	7037	6567	602501, 02 or 03	7447	9344	9345	12414

Item numbers 4, 5, 6, 7 & 17 are included in repair kit. Items 19 & 20 are not depicted above.



OBERDORFER PUMPS

by Gardner Denver

5900 Firestone Drive, Syracuse, NY 13206

Phone: (800) 448-1668; (315) 437-0361 • Fax: (315) 463-9561

Visit www.oberdorferpumps.com to find in-depth descriptions of the world's leading high-quality, dependable pumps.

Due to ongoing product improvements, data shown here is subject to change without notice. Contact Oberdorfer Pumps for latest specifications.