



2CT

2" x 2" Self Priming Trash Pump

The 2CT pump quickly close couples to a 145TC or 184C frame motor. The 2CT features a back pull out design and a removable front trash cleanout for ease of maintenance. A 304SS drive sleeve protects the close coupled driver shaft. Available options include a bearing pedestal for base mounted pumps as well as a hydraulic motor drive pedestal.

SPECIFICATIONS:

Suction And Discharge	2" x 2" NPT
Materials Of Construction	Cast iron
Flow	Up to 225 GPM
Head Feet	Up to 125'
Impeller	5.82" ductile iron
Drive Options	Close coupled 145TC, Close coupled 184C, Pedestal, PumPAK® (without motor)
Seal	Standard - carbon / ceramic / Viton mechanical seal
Max Solid Size	1.5"



Application

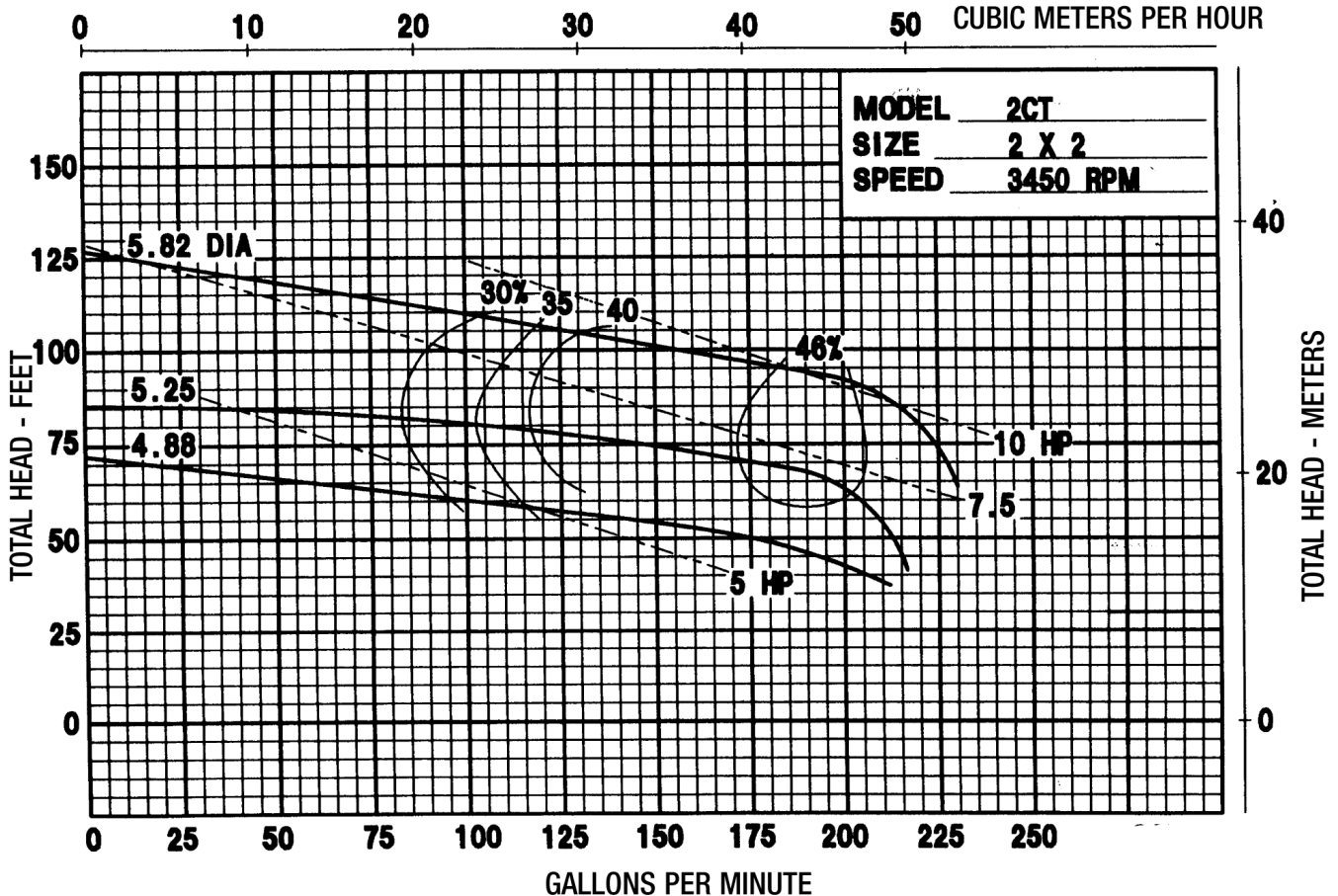
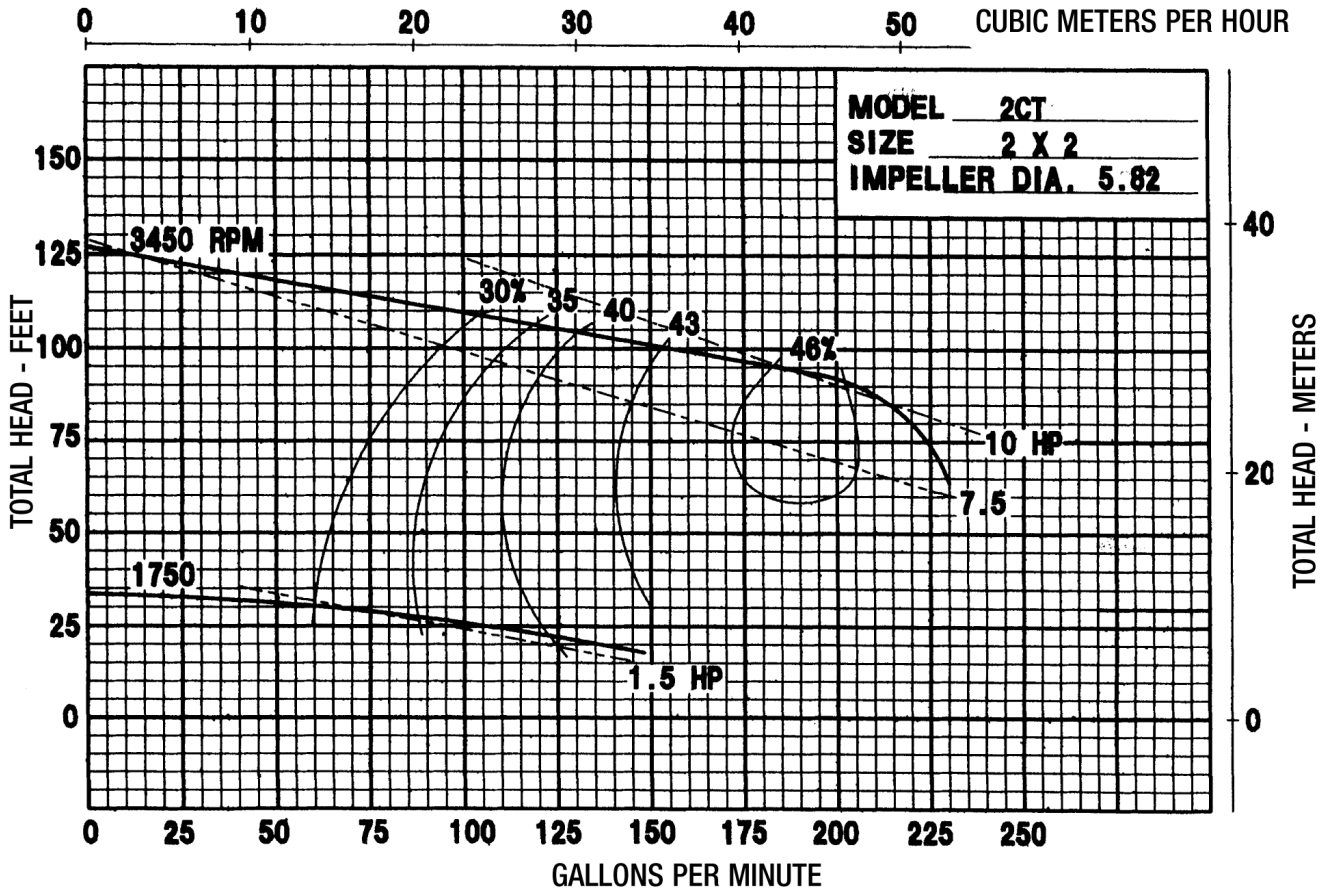
- Commercial
- Industrial
- OEM

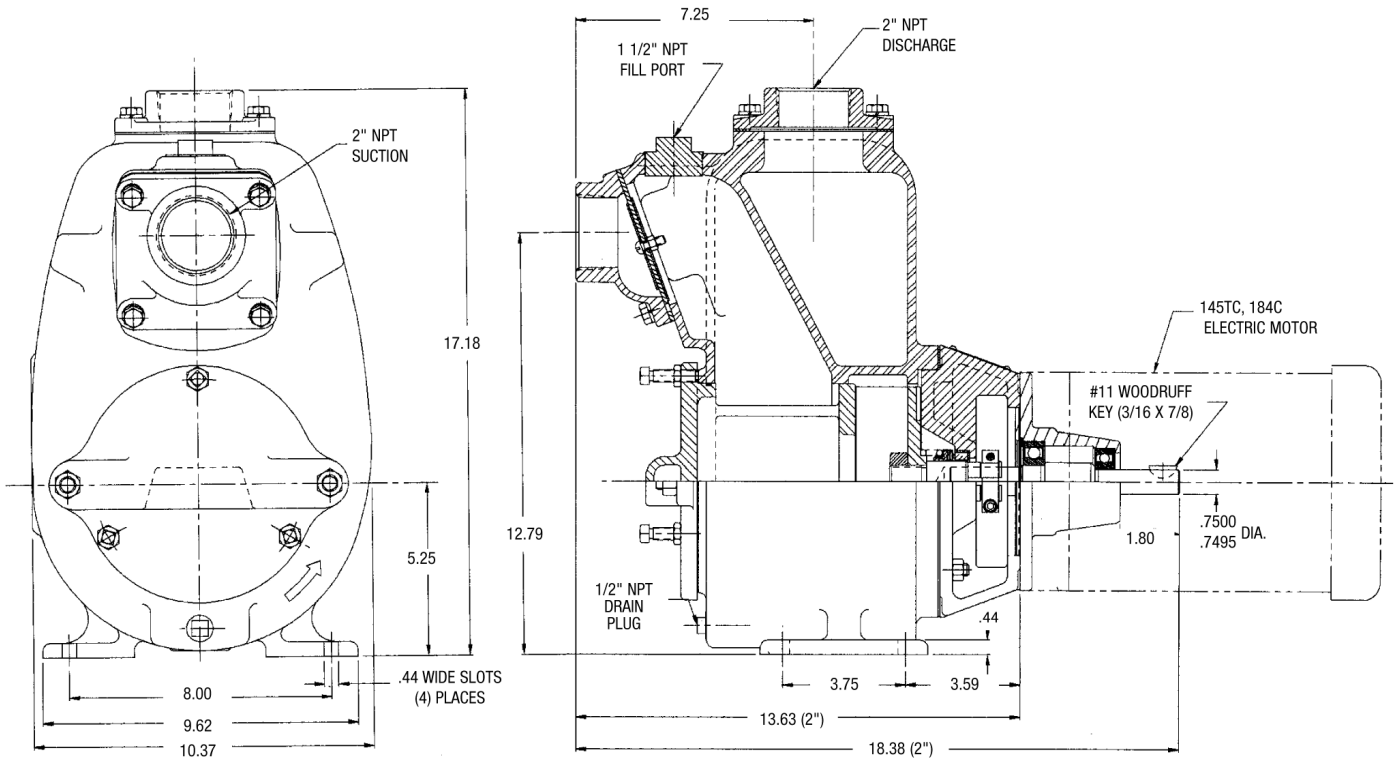
Drive Sleeve

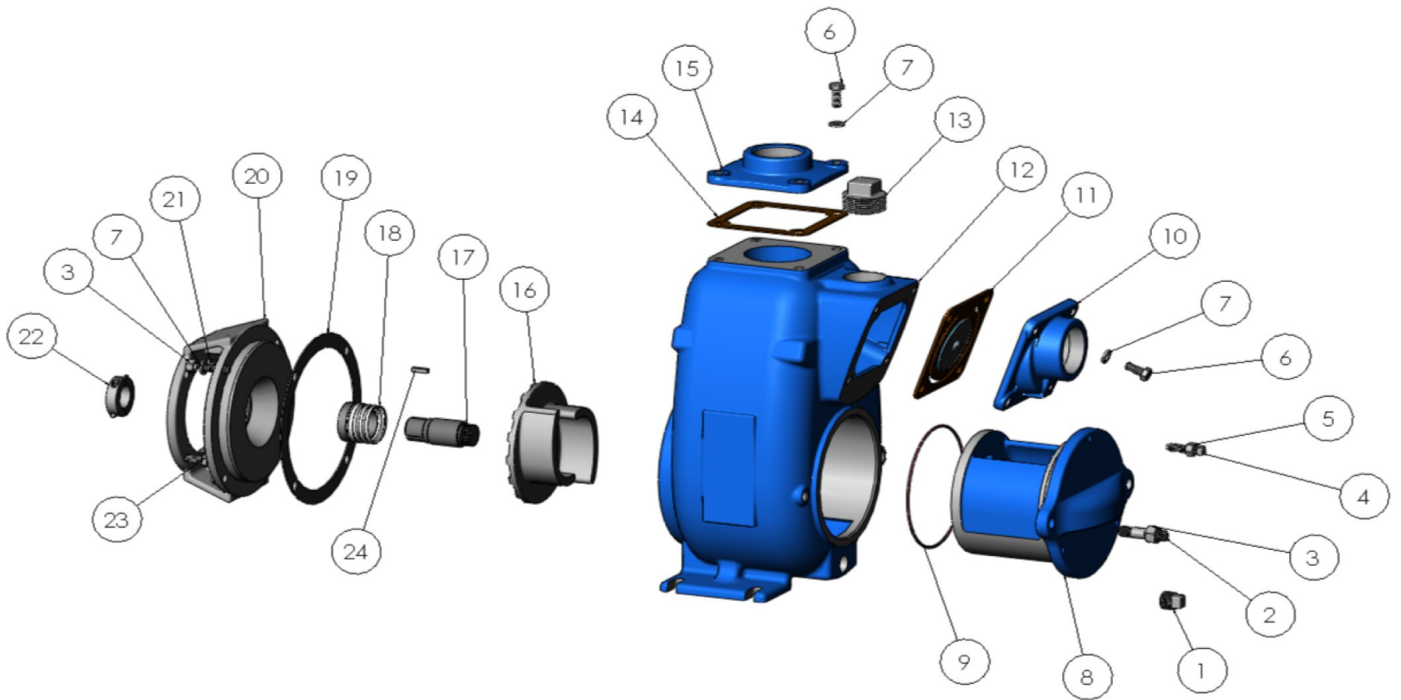
- 304 Stainless Steel

Features

- Back pull out design
- Removeable trash cleanout
- Will pass up to 1.5" solids

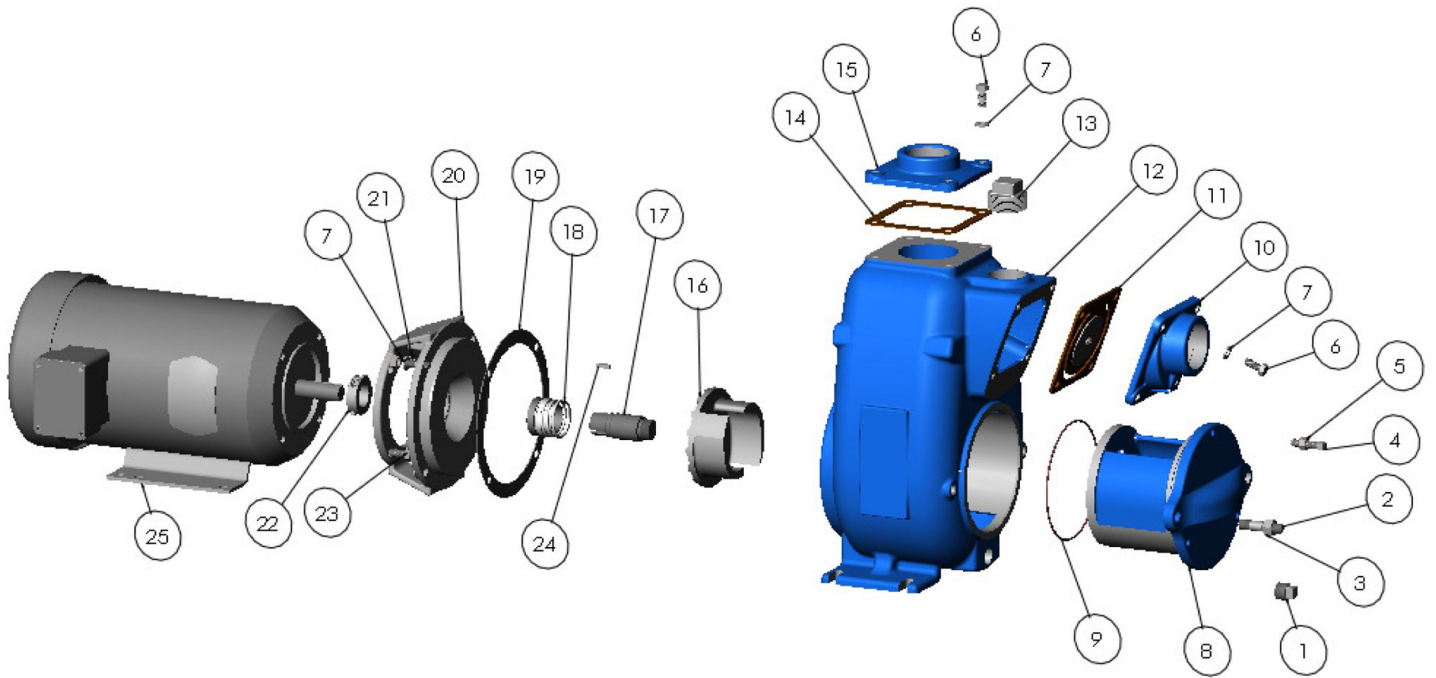






ITEM NO.	PART NO.	DESCRIPTION	QTY.		ITEM NO.	PART NO.	DESCRIPTION	QTY.
1	41479	PIPE PLUG- 1/2 NPT	1	*	14	22358	GASKET- BUNA	1
2	41449	STUD STL- 1/2-13 X 2.25	2		15	22372	FLANGE C.I. - DISCHARGE 2" NPT	1
3	41553	HEXNUT STL. - 1/2-13	2		16	40015	IMPELLER D - 5.82"	1
4	43926	SETSCREW STL. - 3/8--16	3		17	43907	DRIVE SLEEVE S.S.	1
5	21268	HEXNUT S.S. - 3/8-16	7		18	43906	SEAL ASY T-21- CCS/VITON	1
6	21251	CAPSCREW SS- 3/8-16 X 7/8	4	*	19	40815	GASKET - TANFIBER	1
7	21266	LOCKWASHER SS- 3/8	12	*	20	43910	ADAPTER C.I.	1
8	43905	CLEANOUT C.I.	1		21	21260	STUD SS- 3/8-16 X 1.32	4
* 9	41187	O-RING - BUNA	1		22	43908	CLAMP STL. - 7/8"	1
10	22369	FLANGE C.I. - SUCTION 2" NPT	1		23	21291	CAPSCREW S.S. - 1/2-13 X 1.13	8
* 11	23040	FLAPPER ASSEMBLY	1		24	21937	SQ. KEY STL. - 3/16 X 3/16 X 3/4	1
12	43903	VOLUTE C.I.	1					
13	41484	PIPE PLUG C.I. - 1 1/2" NPT	1					

* SUGGESTED REPLACEMENT PARTS



ITEM NO.	PART NO.	DESCRIPTION	QTY.		ITEM NO.	PART NO.	DESCRIPTION	QTY.
1	41479	PIPE PLUG- 1/2 NPT	1	*	14	22358	GASKET- BUNA	1
2	41449	STUD STL- 1/2-13 X 2.25	2		15	22372	FLANGE- DISCHARGE 2" NPT	1
3	41553	HEXNUT STL. - 1/2-13	2		16	44091	IMPELLER D - 4.88"	1
4	43926	SETSCREW STL. - 3/8--16	3		17	43907	DRIVE SLEEVE S.S.	1
5	21268	HEXNUT S.S. - 3/8-16	7	*	18	43906	SEAL ASY T-21- CCS/VITON	1
6	21251	CAPSCREW SS- 3/8-16 X 7/8	4	*	19	40815	GASKET - TANFIBER	1
7	21266	LOCKWASHER SS- 3/8	8		20	43910	ADAPTER C.I.	1
8	43905	CLEANOUT	1		21	21260	STUD SS- 3/8-16 X 1.32	4
* 9	41187	O-RING	1		22	43908	CLAMP STL. - 7/8"	1
10	22369	FLANGE- SUCTION 2" NPT	1		23	21291	CAPSCREW S.S. - 1/2-13 X 1.13	8
* 11	23040	FLAPPER ASSEMBLY	1		24	21937	SQ. KEY STL. - 3/16 X 3/16 X 3/4	1
12	43903	VOLUTE C.I.	1		25	24190	ELE. MOTOR - 184C 5HP, 3PH.	1
13	41484	PIPE PLUG C.I. - 1 1/2" NPT	1					

* SUGGESTED REPLACEMENT PARTS