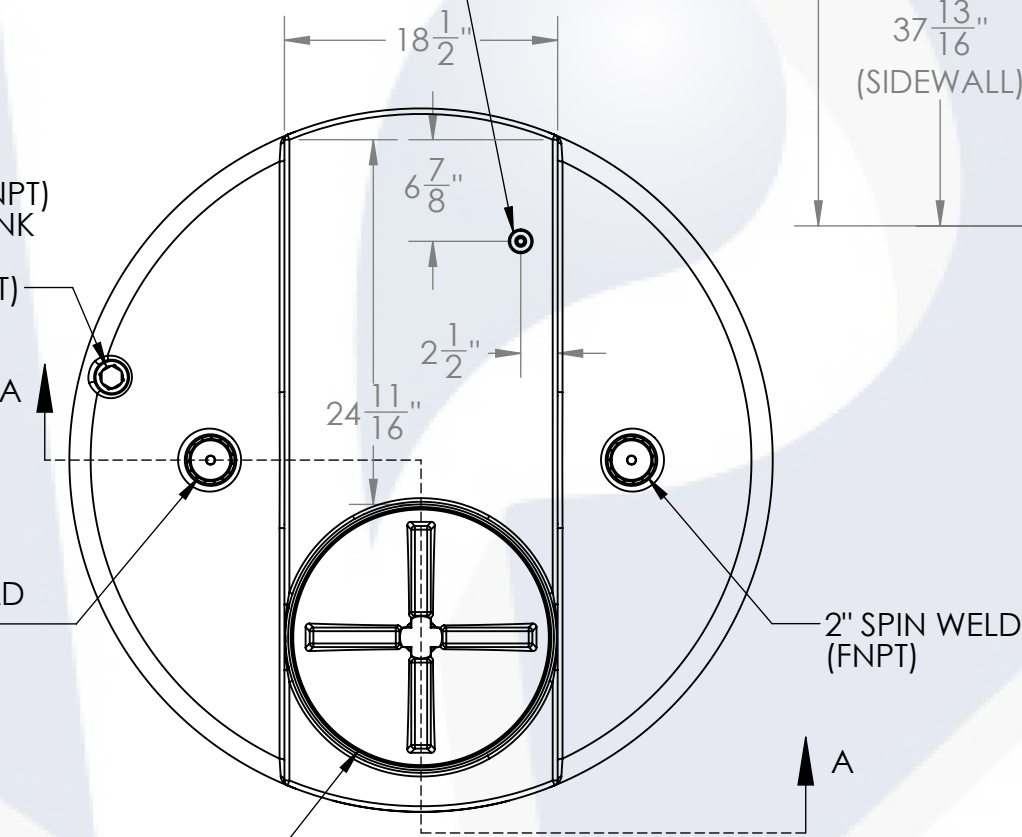


**ISOMETRIC VIEW  
(ASSEMBLED)**

1" SPIN WELD (FNPT)  
SECONDARY TANK  
ACCESS  
(NOT A FILL PORT)

2" SPIN WELD  
(FNPT)

3/8" O.D. MAX  
PUMP SUCTION  
CONNECTION

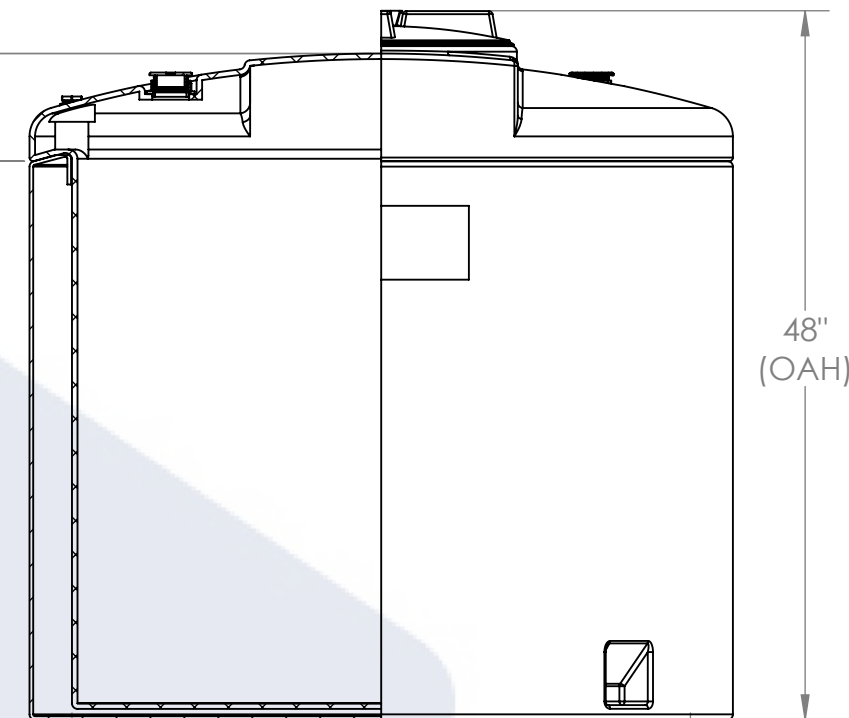


**PLAN VIEW**

7 <sup>5</sup>/<sub>16</sub>"  
(PUMP  
PEDESTAL)

45 <sup>1</sup>/<sub>8</sub>"  
(PLATFORM)

37 <sup>13</sup>/<sub>16</sub>"  
(SIDEWALL)



Ø 41 <sup>7</sup>/<sub>8</sub>"  
(PRIMARY OD)  
Ø 47 <sup>5</sup>/<sub>8</sub>"  
(SECONDARY OD)

**SECTION A-A**

ALTERNATE CONFIGURATION TO MEET  
NSF/ANSI STANDARD 61 AVAILABLE

**PROPRIETARY AND CONFIDENTIAL**  
THE INFORMATION CONTAINED IN THIS  
DRAWING IS THE SOLE PROPERTY OF  
PEABODY ENGINEERING. ANY  
REPRODUCTION IN PART OR AS A WHOLE  
WITHOUT THE WRITTEN PERMISSION OF  
PEABODY ENGINEERING IS  
PROHIBITED.

UNLESS OTHERWISE SPECIFIED:

DIMENSIONS ARE IN INCHES  
TOLERANCES: ±1/4"  
ANGULAR: ± .5°  
ONE PLACE DECIMAL: ± .25  
TWO PLACE DECIMAL: ± .125  
THREE PLACE DECIMAL: ± .063

TANK MATERIAL: **LLDPE**  
INNER TANK S/N:  
OUTER TANK S/N:  
CUSTOMER PO#

DO NOT SCALE DRAWING

	NAME	DATE
DRAWN	AAF	8/19/19
CHECKED		
ENG APPR.		
MFG APPR.		
Q.A.		

PROJECT: <b>GEMINI DUAL CONTAINMENT TANKS</b>		
CUSTOMER: <b>PEABODY STANDARD</b>		
SITE/LOCATION: <b>-</b>		
SALES ORDER:		
SIZE	DESC.	REV.
<b>B</b>	<b>220 GALLON GEMINI TANK, Ø48" x 48"</b>	<b>G</b>
SCALE: 1:13		SHEET 1 OF 1

	PART NUMBER	
	BLUE	NATURAL
<b>220 GALLON GEMINI TANK, Ø48" x 48"</b>		
POLYETHYLENE LDPE (SD 1.5)	01-14872	01-1074
POLYETHYLENE LDPE (HD 1.9)	01-29778	01-29769
CROSSLINK XLPE (SD 1.5)	CALL FOR INFO	10-30132
CROSSLINK XLPE (HD 1.9)	CALL FOR INFO	01-30143
ALTERNATIVE MATERIALS, COLOR, AND ACCESSORIES ARE AVAILABLE. CALL FOR ADDITIONAL INFO.		