

Series SG

Mechanical Metering Pumps

DATA SHEET

Model Code for Complete Pumps:

Code:	Drive (Motor)			+	Motor &/or Mount	+	Liquid End	
	Frame (D or G)	Liquid End Size Code	Gear Ratio Code				Liquid End Material	Connections
	S	G	5		8		8	P

Series	Capacity per Hour Maximum		Strokes per Minute		Maximum Injection Pressure	Stroke Length (Adjustable) Recommended Minimum	Average Shipping Weight
	Gallons @ 60 Hz	Liters @ 50 Hz	60 Hz	50 Hz			
	SG51	26	82	43			
SG52	53	167	86	72	150 psi (10.3 Bar)		
SG56	75	237	120	102	150 psi (10.3 Bar)		
SG53	106	334	173	144	150 psi (10.3 Bar)		
SG61	36	114	43	36	100 psi (6.9 Bar)		
SG62	73	230	86	72	100 psi (6.9 Bar)		
SG66	104	328	120	102	100 psi (6.9 Bar)		
SG63	147	464	173	144	100 psi (6.9 Bar)		
SG71	75	237	43	36	50 psi (3.4 Bar)		
SG72	149	470	86	72	50 psi (3.4 Bar)		
SG76	208	656	120	102	50 psi (3.4 Bar)		
SG73	300	946	173	144	50 psi (3.4 Bar)		

Motor:
8 -- 1 hp, 1725 rpm, 1 Phase, 60 Hertz, 115/230 Volt, TEFC, NEMA 56C
9 -- 1 hp (.75 kW), 1425 rpm, 1 Phase, 50 Hertz, 115/230 Volt, TE, NEMA 56C
J -- 1 hp, 1725 rpm, 3 Phase, 60 Hertz, 230/460 Volt, TEFC, NEMA 56C
L -- 1 hp (.75 kW), 1450 rpm, 3 Phase, 50 Hertz, 220/380 Volt, TEFC, NEMA 56C
P -- DC Variable Speed Drive, 1 hp 1725 rpm TEFC motor w/DC Drive, 4-20 ma input, NEMA 4/12 115 VAC
X -- MOTOR MOUNT less Motor (Flange Mount, NEMA 56C)
Y -- MOTOR MOUNT less Motor (Flange Mount, NEMA 143/145TC)

Liquid End:
 See next page for complete liquid end specification and selection.



Model Code for Drives only:

Code:	Drive (Motor) - only			-	DR
	Frame (D or G)	Gear Ratio Code	Motor & or Mount		
	S	G			

Gear Ratio Code	Gear Ratio	
	SPM @	
	60 hz 1725 rpm	50 hz 1425 rpm
1	43	36
2	86	72
6	120	102
3	173	144

Motor & or Mount	MOTORS:
8	See Motor Description for details
9	
J	
L	
P	DC Variable Speed Drive
X	MOUNT less Motor
Y	MOUNT less Motor

Model Code for Liquid Ends only:

Code:	Liquid End - only				-	LE
	Frame (D or G)	Liquid End Size Code	Liquid End Material	Connections		
	S	G				

Liquid End Size Code	Liquid End Size Code	
	Description	Max GPH @ 173 SPM
5	Liquid end 5,6 & 7 are interchangeable on drives with any of these codes	106
6		147
7		300

Liquid End Material	Liquid End Material / Application: See Materials of Construction on back of sheet
1	PP
2	PVDF
7	316SS
8	PVC
C	Sodium Hydrochloride
F	Fluoride Appl.
P	Polymer Appl.
L	Slurry Appl.
N	H2SO4 Appl.

Connections	Connections
P	NPT (Standard)



Intertek



Drive ASM <input type="checkbox"/> Motor Code	Liquid End		Size Code	Materials of Construction						RPM Kit
	LE Material	Connections		Head / Fittings	Balls	Diaphragm	Valve Seat	Seals	Connections	
SG51 <input type="checkbox"/> SG52 <input type="checkbox"/> SG56 <input type="checkbox"/> SG53 <input type="checkbox"/>	2	P	5	PVDF/PVDF	Ceramic	Gylon®	PVDF	Teflex®	1/2" NPTF	RPM046
	7	P	5	316ss/316ss ^{Note 3}	316ss	Gylon®	316ss	Viton®	1/2" NPTF	RPM047
	8	P	5	PVC/PVC ^{Note 3}	Ceramic	Gylon®	PVC	Viton®	1/2" NPTF	RPM045
	1	P	5	White PP/PVDF	Ceramic	Gylon®	PVC	Viton®	1/2" NPTF	RPM045
	C	P	5	PVC/PVDF	Ceramic	Gylon®	PVC	EPDM	1/2" NPTF	RPM045
	F	P	5	PVC/PVDF	PTFE	Gylon®	PVC	Viton®	1/2" NPTF	RPM045
	P	P	5	PVC/PVDF	316ss	Gylon®	316ss	Viton®	1/2" NPTF	RPM126
	L	P	5	PVC/316ss	316ss	Gylon®	316ss (Pin)	Viton®	1/2" NPTF	See Note 1
	N	P	5	PVC/PVDF	Alloy 20	Gylon®	Alloy 20	Viton®	1/2" NPTF	RPM175
SG61 <input type="checkbox"/> SG62 <input type="checkbox"/> SG66 <input type="checkbox"/> SG63 <input type="checkbox"/>	2	P	6	PVDF/PVDF	Ceramic	PTFE	PVDF	Teflex®	1" NPTF	RPM049
	7	P	6	316ss/316ss ^{Note 3}	316ss	PTFE	316ss	PTFE	1" NPTM	RPM050
	8	P	6	PVC/PVC ^{Note 3}	Ceramic	PTFE	PE	Viton®	1" NPTF	RPM048
	1	P	6	White PP/PP	Ceramic	PTFE	PE	Viton®	1" NPTF	RPM048
	C	P	6	PVC/PVC	Ceramic	PTFE	PE	EPDM	1" NPTF	RPM048
	F	P	6	PVC/PVC	PTFE	PTFE	PE	Viton®	1" NPTF	RPM048
	P	P	6	PVC/PVC	316ss	PTFE	316ss	Viton®	1" NPTF	RPM176
	L	P	6	PVC/316ss	316ss	PTFE	316ss (Pin)	Viton®	1" NPTF	RPM219
	N	P	6	PVC/PVDF	Alloy 20	PTFE	Alloy 20	Viton®	1" NPTF	RPM194
SG71 <input type="checkbox"/> SG72 <input type="checkbox"/> SG76 <input type="checkbox"/> SG73 <input type="checkbox"/>	2	P	7	PVDF/PVDF	Ceramic	PTFE	PVDF	Teflex®	1" NPTF	RPM052
	7	P	7	316ss/316ss ^{Note 3}	316ss	PTFE	316ss	PTFE	1" NPTM	RPM053
	8	P	7	PVC/PVC ^{Note 3}	Ceramic	PTFE	PE	Viton®	1" NPTF	RPM051
	C	P	7	PVC/PVC	Ceramic	PTFE	PE	EPDM	1" NPTF	RPM051
	F	P	7	PVC/PVC	PTFE	PTFE	PE	Viton®	1" NPTF	RPM051
	P	P	7	PVC/PVC	316ss	PTFE	316ss	Viton®	1" NPTF	RPM221
	L	P	7	PVC/316ss	316ss	PTFE	316ss (Pin)	Viton®	1" NPTF	RPM220
	N	P	7	PVC/PVC	Alloy 20	PTFE	Alloy 20	Viton®	1" NPTF	RPM203

Note 1: SG5 slurry pumps made before May 2008 may require conversion kit RPM226 in order to use parts in RPM400 going forward. RPM400 is a more cost effective design used on all new pumps after May 2008 and on those converted to new design using RPM226.

Note 2: Teflex® is a Teflon encapsulated Viton O-ring

Note 3 : Liquid ends ETL certified to ANSI /NSF Std. 50

Teflex, Teflon and Viton are registered trademarks of E.I. Dupont de Nemours and Company

Gylon is a registered trademark of Garlock

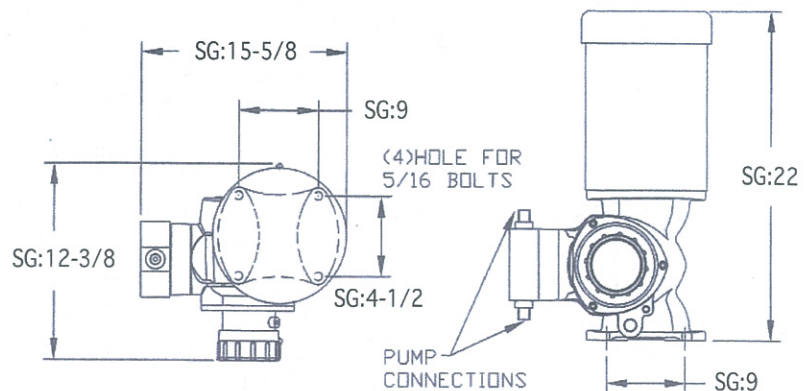
Flurofilm is a trademark of Milton Roy, LLC

Polyprel is a registered trademark of Milton Roy, LLC

Dimensions

Approximate for envelope estimations.

Dimensions are shown in inches.



WARNING: A pressure relief valve MUST be installed in the discharge line of all motor driven pumps.

ph: 215-293-0401

lmipumps.com • email: info@lmipumps.com

