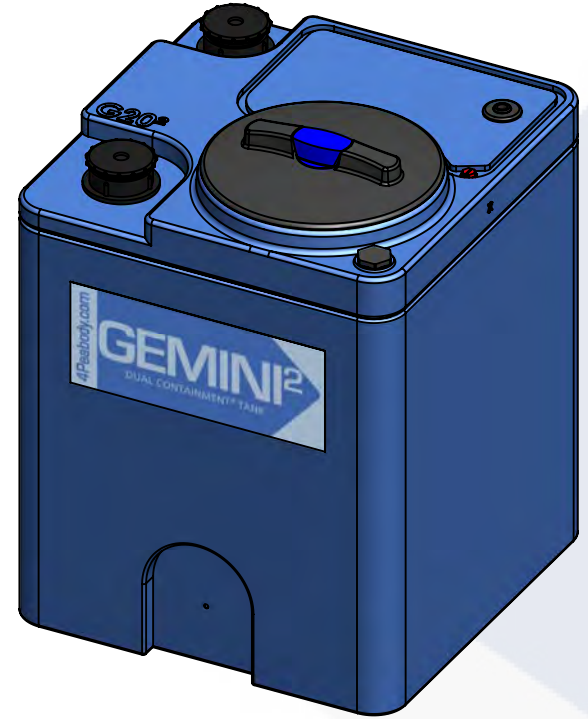
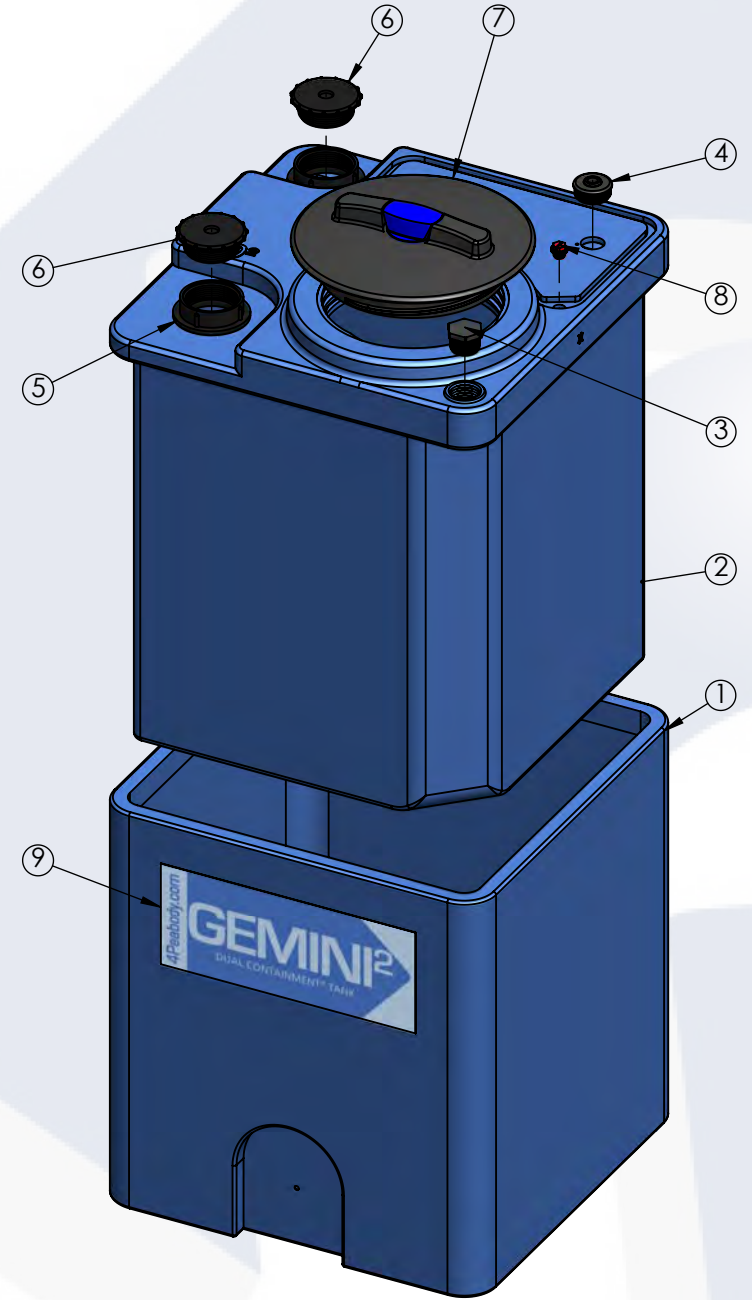


20 GALLON GEMINI ²	PART NUMBER	
	BLUE	NATURAL
LPE (1.5)	01-29333	01-29371
LPE (1.9)	01-30052	01-30056
XLPE (1.5)	N/A	01-30147
XLPE (1.9)	N/A	01-30152



**ISOMETRIC VIEW
(ASSEMBLED)**



**ISOMETRIC VIEW
(EXPLODED)**

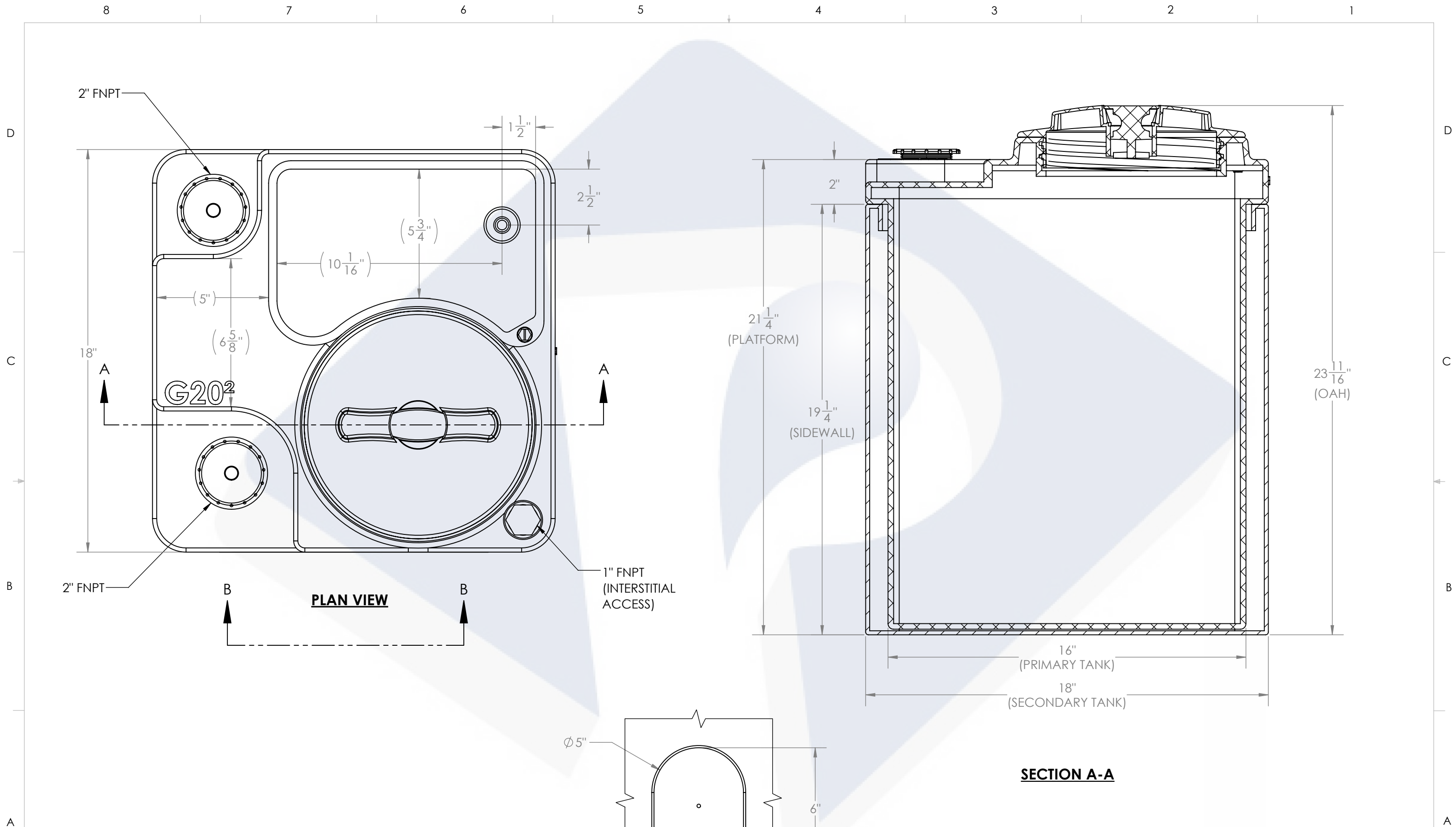
TOP LEVEL ASSEMBLY		
ITEM NO.	DESCRIPTION	QTY.
1	20G GEMINI ² , SECONDARY TANK	1
2	GEMINI ² , 20G PRIMARY TANK	1
3	Ø1" PLUG, MPT, PE, BLACK	1
4	Ø1-5/8" CAPLUG / GROMMET ASSY	1
5	Ø2" FNPT SPIN WELD FITTING, PE	2
6	Ø2" MPT PLUG, PE, BLACK	2
7	Ø10" OD / Ø8" ID TWIST LID ASSY	1
8	RED CAPLUG / O-RING SUB-ASSY	1
9	GEMINI ² MOLD IN LOGO	1

ALTERNATE CONFIGURATION TO MEET
NSF/ANSI STANDARD 61 AVAILABLE

- NOTES:**
- CAPACITY: 20 GAL. NOMINAL
 - SERVICE PRESSURE: ATMOSPHERIC

PROPRIETARY AND CONFIDENTIAL
THE INFORMATION CONTAINED IN THIS DRAWING IS THE SOLE PROPERTY OF PEABODY ENGINEERING. ANY REPRODUCTION IN PART OR AS A WHOLE WITHOUT THE WRITTEN PERMISSION OF PEABODY ENGINEERING IS PROHIBITED.

UNLESS OTHERWISE SPECIFIED:		NAME	DATE	
DIMENSIONS ARE IN INCHES TOLERANCES: ±1/4" ANGULAR: ±.5° ONE PLACE DECIMAL: ±.25 TWO PLACE DECIMAL: ±.125 THREE PLACE DECIMAL: ±.063		DRAWN	RFR 02/26/18	
TANK MATERIAL:	LPE	CHECKED		PROJECT: GEMINI ² DUAL CONTAINMENT TANKS
INNER TANK S/N:		ENG APPR.		CUSTOMER: PEABODY STANDARD
OUTER TANK S/N:		MFG APPR.		SITE/LOCATION: FOB: CORONA, CA
CUSTOMER PO#		Q.A.		SALES ORDER: -
DO NOT SCALE DRAWING		ALTERNATIVE VERSIONS MATERIALS: XLPE, PPL, PVDF COLORS: NATURAL, BLUE OR BLACK AVAILABLE WITH FRP WRAP CALL FOR PART NUMBERS		SIZE: B DESC: 20 GALLON GEMINI ² TANK, 18" x 18" x 24" REV: E
		SCALE: 1:8		SHEET 1 OF 2



PROJECT:
20G Gemini² (NEW TOP), CUSTOMER Print

SCALE: 1:4 REV. E SHEET 2 OF 2