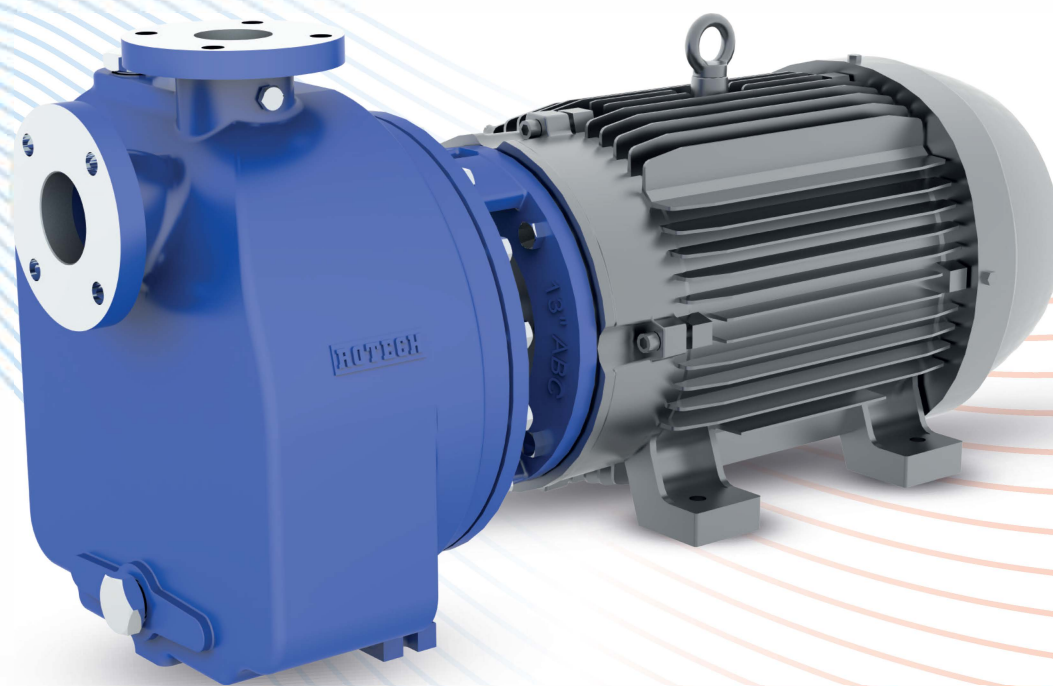


ANSI 1796CC

CLOSE COUPLED SELF PRIMING
PROCESS PUMPS



QUALITY | COMMITMENT | ADAPTABILITY

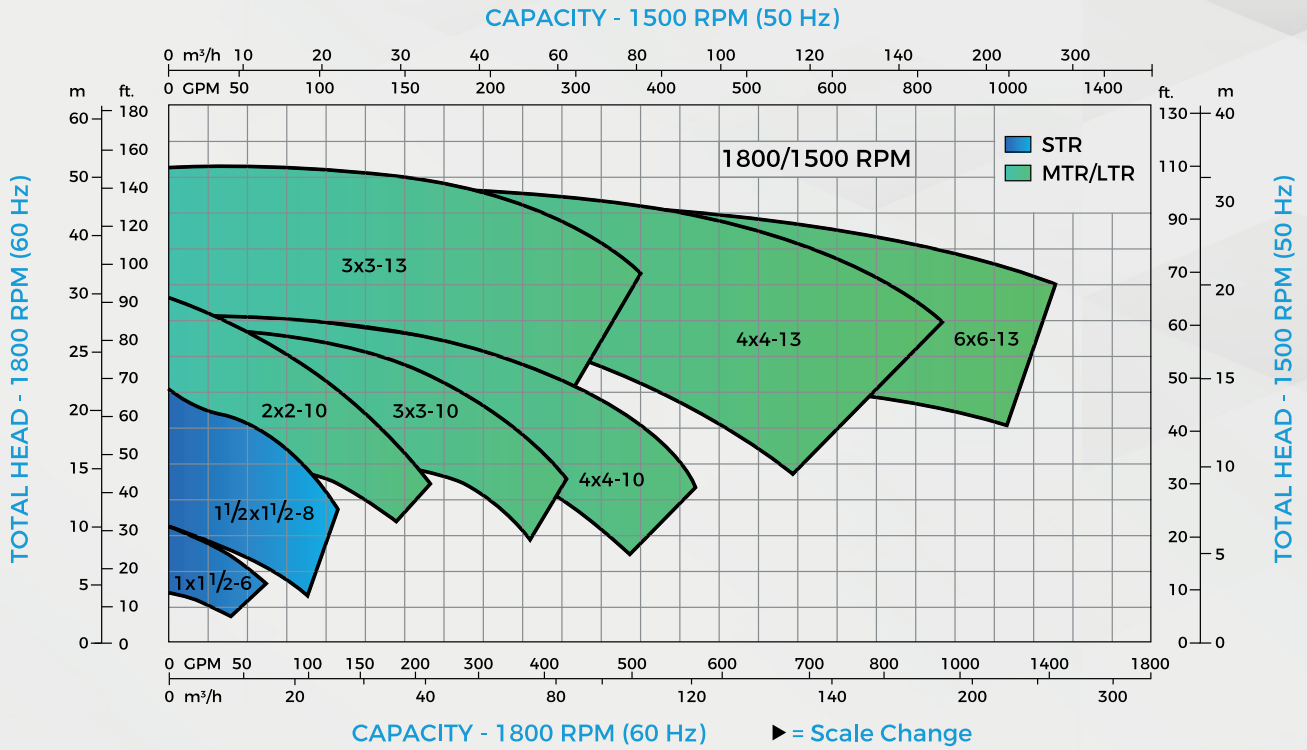


HIGH ON **PERFORMANCE**
GREAT ON **RELIABILITY**

HYDRAULIC PERFORMANCE COVERAGE

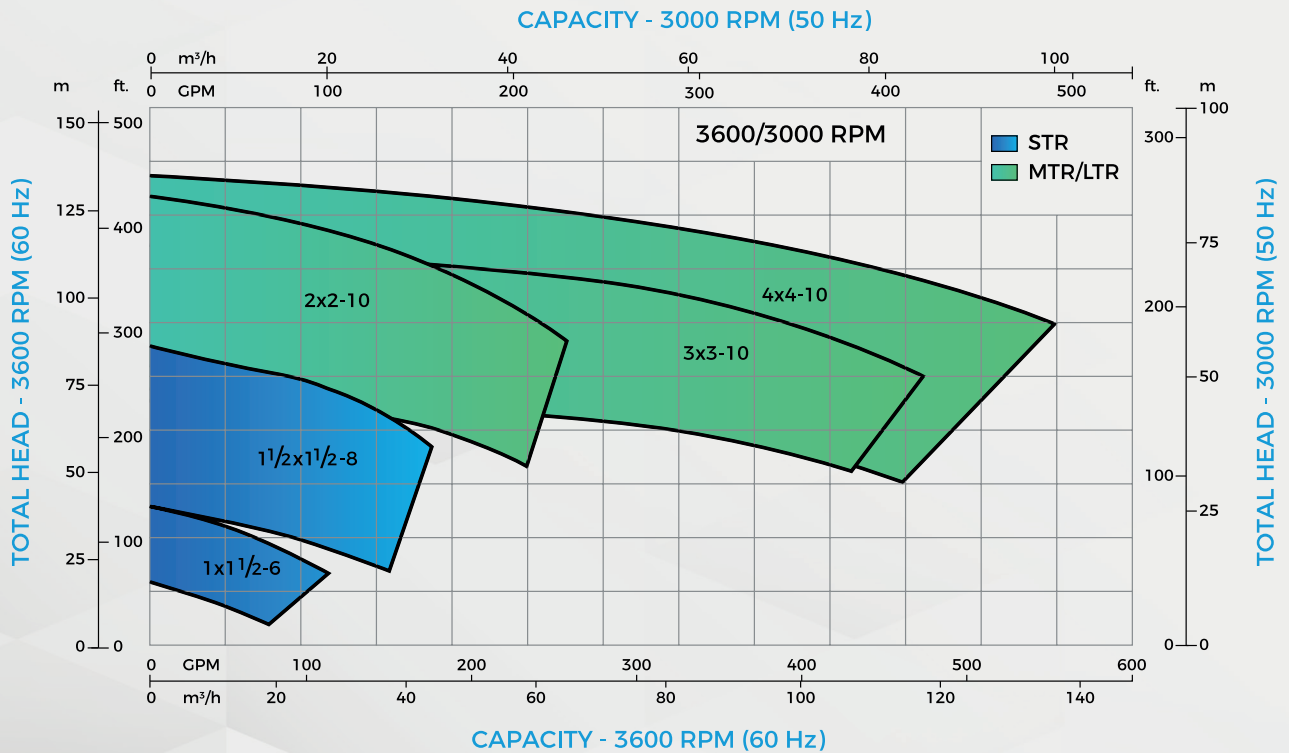
4 Pole Motor

Capacity up to 1350 GPM (307 m³/h) | Head up to 165 feet (50 m) | Temperature to 248°F (120°C)
 Pressure up to 375 PSIG (2586 kPa) | Effective static lift to 20 feet (6 m)

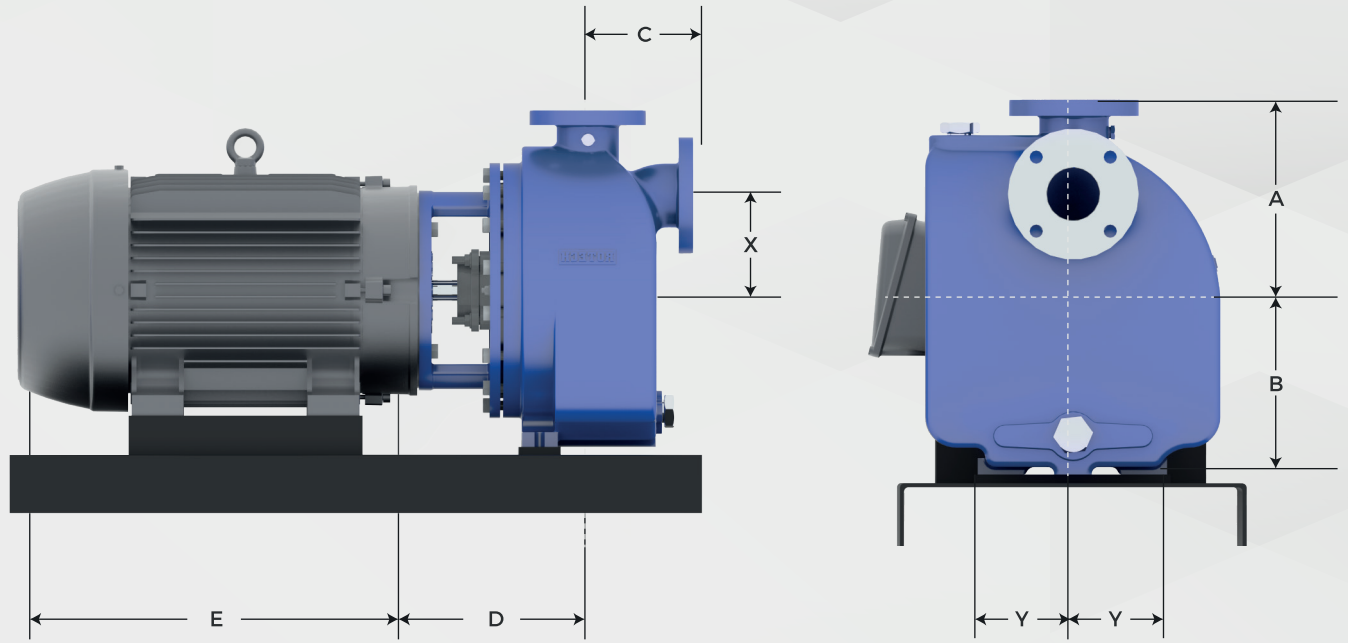


2 Pole Motor

Capacity up to 600 GPM (136 m³/h) | Head up to 430 feet (131m) | Temperature to 248°F (120°C)
 Pressure up to 375 PSIG (2586 kPa) | Effective static lift to 20 feet (6 m)

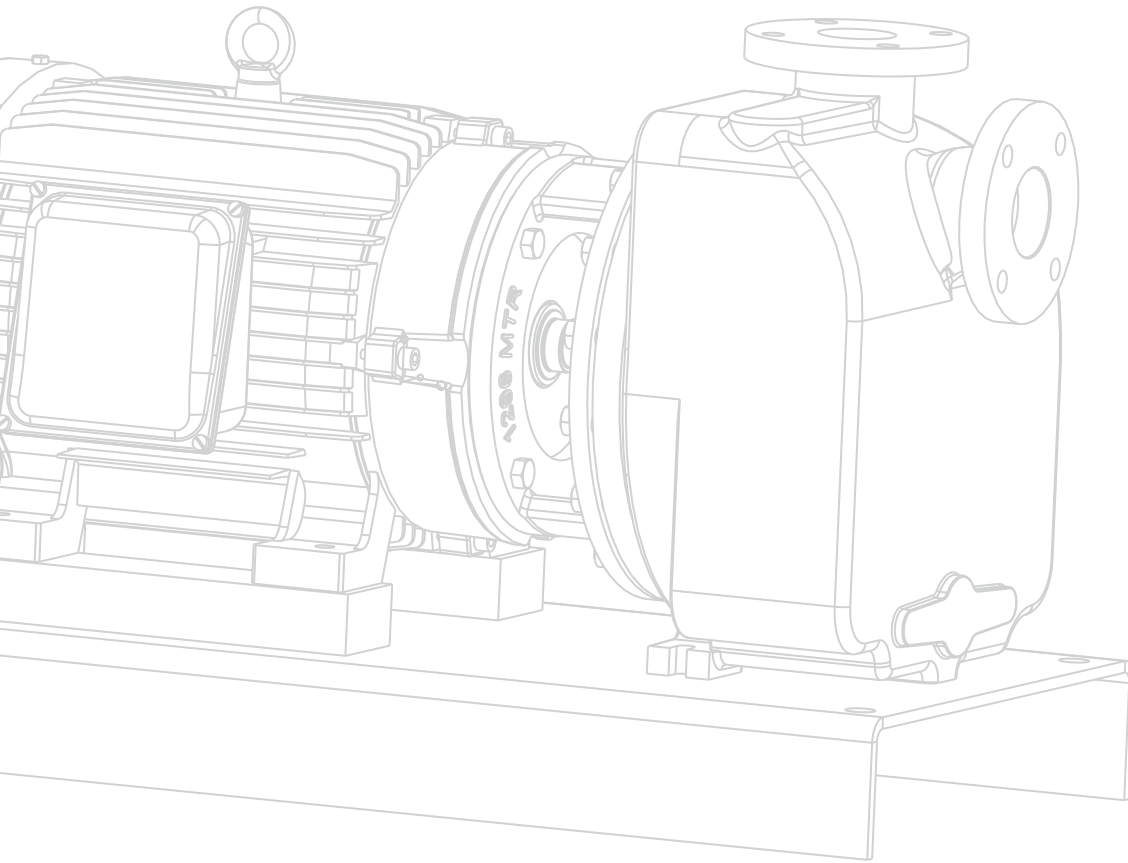


DIMENSIONAL DATA



SR. NO.	PUMP SIZE	PUMP DIMENSIONS					NEMA MOTOR FRAME SIZES					
		A	B	C	X	Y	143-184		213-256		284-326	
							D	E	D	E	D	E
1	1x1.5-6	7.25(184)	7.5(191)	5(127)	4(102)	2.92(74)	6(152)	14(356)	6(152)	22.28(566)		
2	1.5x1.5-8	7.875(200)		6.5(165)			7.31(185)	14(356)	7.31(185)	22.28(566)		
3	2x2-10			6.75(171)		4.78(121)	9.68(246)	14(356)	9.72(247)	22.28(566)	9.72(247)	9.72(247)
4	3x3-10	10(254)		9.18(233)	6(152)	4.84(123)	10.66(271)	14(356)	10.66(271)	22.28(566)	10.66(271)	10.66(271)
5	4x4-10		10(254)	6.75(171)		9.75(247)	11.41(290)	14(356)	11.41(290)	22.28(566)	11.41(290)	11.41(290)
6	3x3-13	11.5(292)		9.18(233)		4.84(123)			10.62(270)	22.28(566)	10.62(270)	10.62(270)
7	4x4-13			10(245)		9.75(247)			11.37(289)	22.28(566)	11.37(289)	11.37(289)
8	6x6-13	15(381)	12(304.8)			8(203)			13.66(347)	22.28(566)	13.66(347)	13.66(347)

*Weight and dimensions are approximate and not to be used for construction unless Certified By Manufacturer.



QUALITY | COMMITMENT | ADAPTABILITY

CANADA

Headquarters

1180 Britannia Road East,
Mississauga, Ontario, L4W 1C8

☎ 1 - 866 - 217 - 7867

✉ sales@rotechpumps.com



USA

Headquarters

4555 Brittmoore Road,
Houston, Texas, 77041

☎ 1 - 866 - 217 - 7867

✉ sales@rotechpumps.com

www.rotechpumps.com