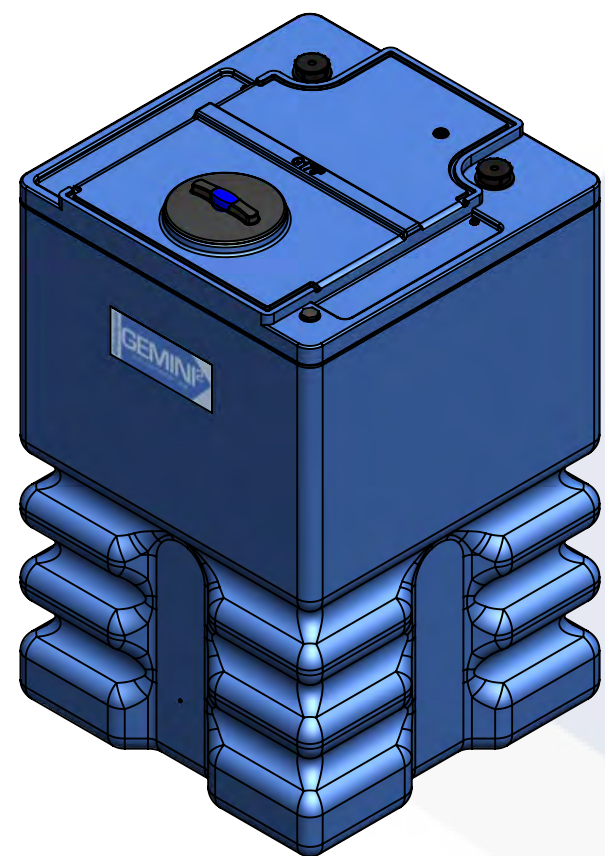


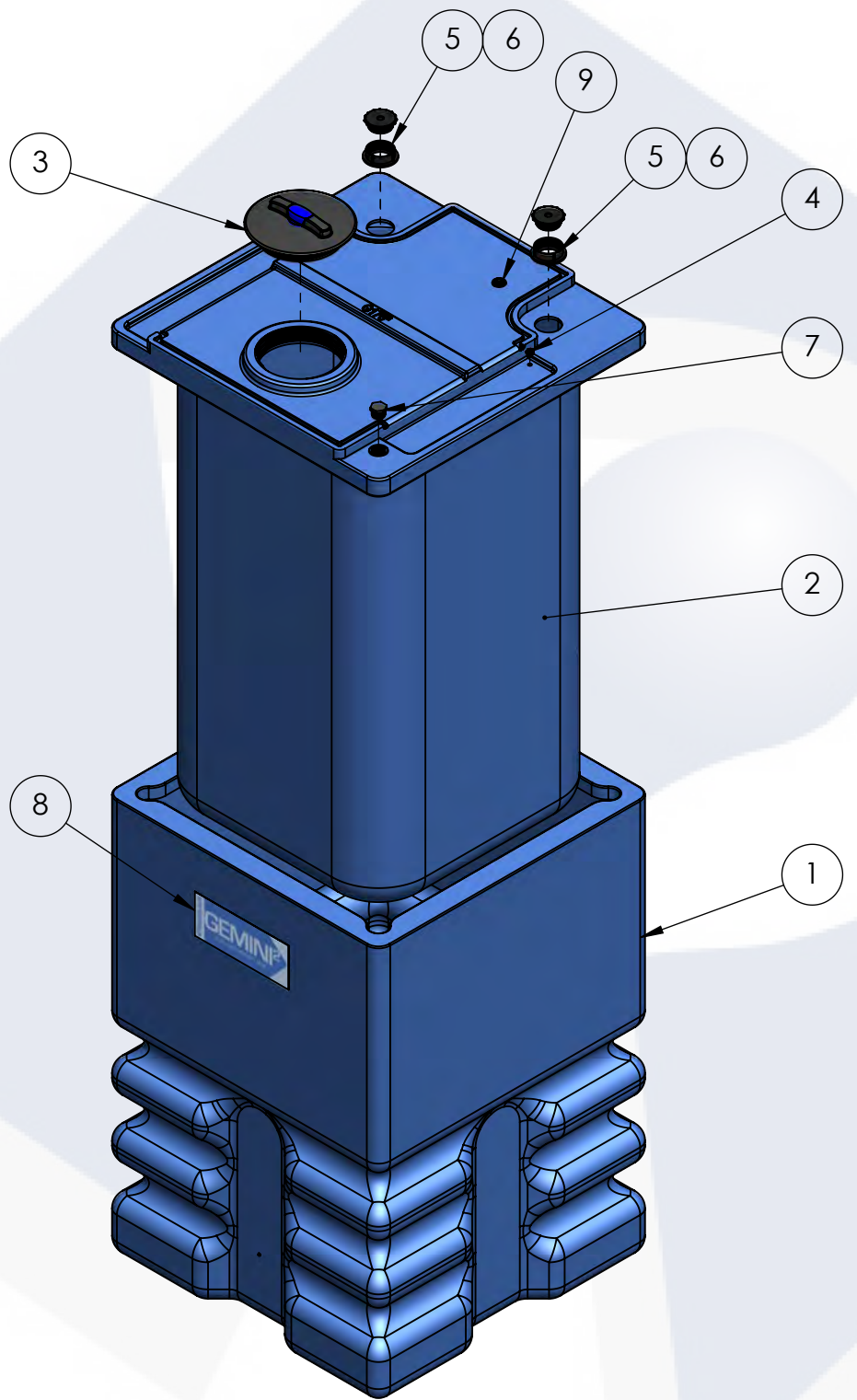
175 GALLON GEMINI <sup>2</sup> TANK, 35" X 35" X 57"	PART NUMBER	
	BLUE	NATURAL
LPE (1.5)	01-33086	01-33088
LPE (1.9)	01-33087	01-33089
XLPE (1.5)	N/A	01-33091
XLPE (1.9)	N/A	01-33093

ALTERNATE CONFIGURATION TO MEET NSF/ANSI STANDARD 61 AVAILABLE

TOP LEVEL ASSEMBLY		
ITEM NO.	DESCRIPTION	QTY.
1	175G GEMINI <sup>2</sup> , SECONDARY TANK	1
2	175G GEMINI <sup>2</sup> , PRIMARY TANK	1
3	Ø8" VENTED TWIST LID ASSEMBLY	1
4	RED CAPLUG / O-RING SUB-ASSY	2
5	Ø2" FNPT SPIN WELD FITTING, PE	2
6	Ø2" MPT PLUG, PE, BLACK	2
7	Ø1" PLUG, MPT, PE, BLACK	1
8	GEMINI <sup>2</sup> MOLD IN LOGO	1
9	1-5/8" CAPLUG / GROMMET SUB-ASSY	1




**ISOMETRIC VIEW (ASSEMBLED)**



**ISOMETRIC VIEW (EXPLODED)**

- NOTES:**
1. CAPACITY: 175 GAL. NOMINAL
  2. TANK MATERIAL: LPE
  3. APPROXIMATE WEIGHT: 144.40
  4. SERVICE PRESSURE: ATMOSPHERIC

**PROPRIETARY AND CONFIDENTIAL**  
 THE INFORMATION CONTAINED IN THIS DRAWING IS THE SOLE PROPERTY OF PEABODY ENGINEERING. ANY REPRODUCTION IN PART OR AS A WHOLE WITHOUT THE WRITTEN PERMISSION OF PEABODY ENGINEERING IS PROHIBITED.

UNLESS OTHERWISE SPECIFIED:		NAME	DATE	
DIMENSIONS ARE IN INCHES TOLERANCES: ±1/4"		DRAWN	SMF 06/01/22	
ANGULAR: ± .5° ONE PLACE DECIMAL: ± .25 TWO PLACE DECIMAL: ± .125 THREE PLACE DECIMAL: ± .063		CHECKED		
TANK MATERIAL: LPE		ENG APPR.		
INNER TANK S/N:		MFG APPR.		PROJECT: PROCHEM® TANKS
OUTER TANK S/N:		Q.A.		CUSTOMER: PEABODY STANDARD
CUSTOMER PO#				SITE/LOCATION: -
DO NOT SCALE DRAWING				SALES ORDER: SEE TABLE
				SIZE: B
				DESC. 175 GALLON GEMINI <sup>2</sup> TANK, 35" X 35" X 57"
				REV. B
				SCALE: 1:16
				SHEET 1 OF 2

