

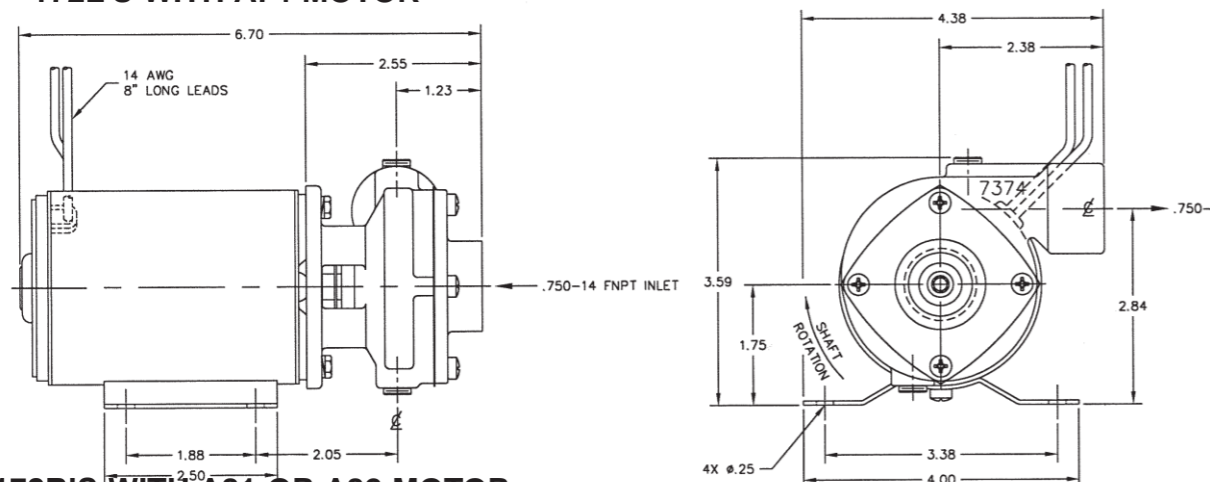
BRONZE CLOSE COUPLED CENTRIFUGAL PUMP

BRONZE CLOSE COUPLED CENTRIFUGAL PUMP

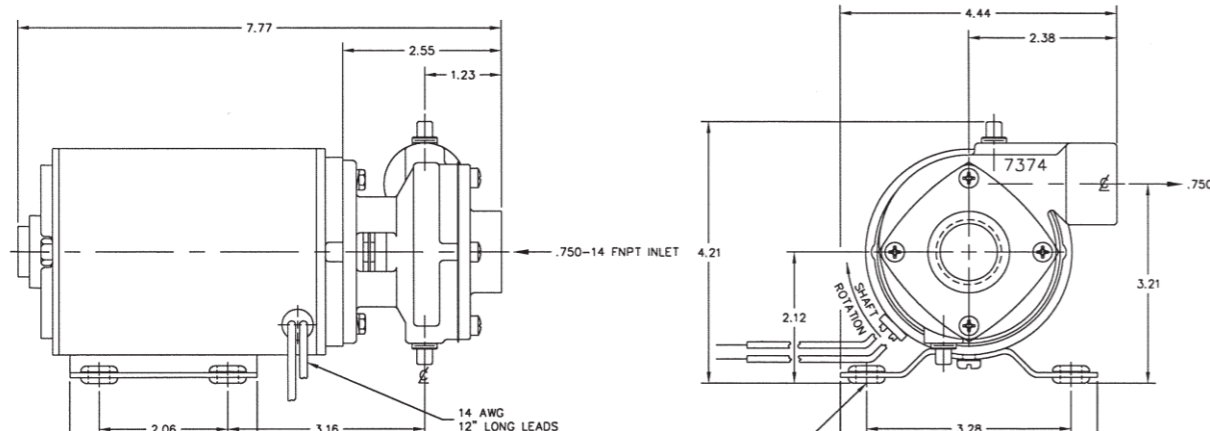
MODEL
172B
172L

DIMENSIONS

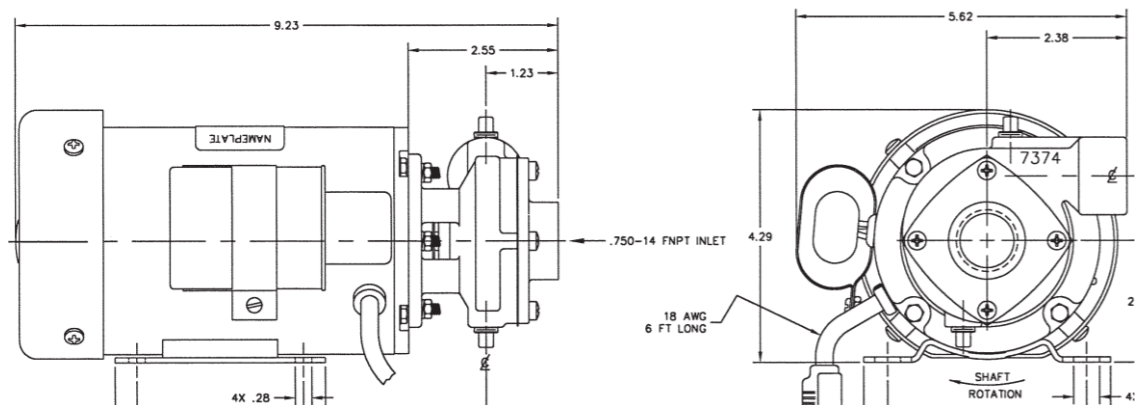
172L'S WITH A74 MOTOR



172B'S WITH A81 OR A82 MOTOR



172B'S WITH B26 OR B27 MOTOR



PIPE SIZE: INLET 3/4", OUTLET 3/4" (OPTION 1/2")



FEATURES

- .. Rugged corrosion resistant bronze construction
- .. Compact and light
- .. Mechanical Seals - Type 6A/68
 - Buna Standard
 - Viton Options
- .. TEFC Motors with corrosion resistant passivated 316 SS Shafts
 - 1/10 HP permanent Magnet 12V, 24V, 32V DC Motors
 - Rubber base grommets for vibration dampening
 - Insulated leads
 - 1/13 HP Permanent Magnet 12V DC Motor
 - 172L threaded shaft style
 - 1/8 HP Capacitor Start 50/60 HZ, 115V & 220V AC Motors
 - Ignition protection
 - Thermal overload protection
 - Power cord with plug
- .. Ideal for:
 - Marine Air Conditioning
 - Engine Block Temperature Control
 - Radiator and Heat Exchanger Circulation
 - Baitwell Circulation

SEAL

The pump uses a mechanical type shaft seal with a Buna rubber element. It is suitable for water, oils, and some mild solvents and is limited to 212° F, Viton® is available for up to 400° F.

LIQUIDS

One of the outstanding features of this pump and motor unit is its compact size. Although small, adequate motor power is available for pumping water, water solutions, and a wide range of commercial chemicals. Questions about the chemical compatibility of special liquids should be referred to the factory.

Viscous liquids with a maximum viscosity of 2000 Saybolt Seconds Universal can be pumped. However, when pumping viscous liquids (as compared with water) a reduction in flow and pressure occurs and the required horsepower increases.

Liquids heavier than water require additional horsepower in direct proportion to the increase in specific gravity.

CHARACTERISTICS

These Oberdorfer centrifugal pumps have a single open vane rotating impeller. Liquid enters at the center and is thrown outward radially by centrifugal force. The impeller is not in contact with other pump parts resulting in quiet, efficient pumping action. The flow produced is not positive which permits the discharge line to be shut off completely without danger of overloading motors or bursting lines. Consequently, a relief valve is not required.

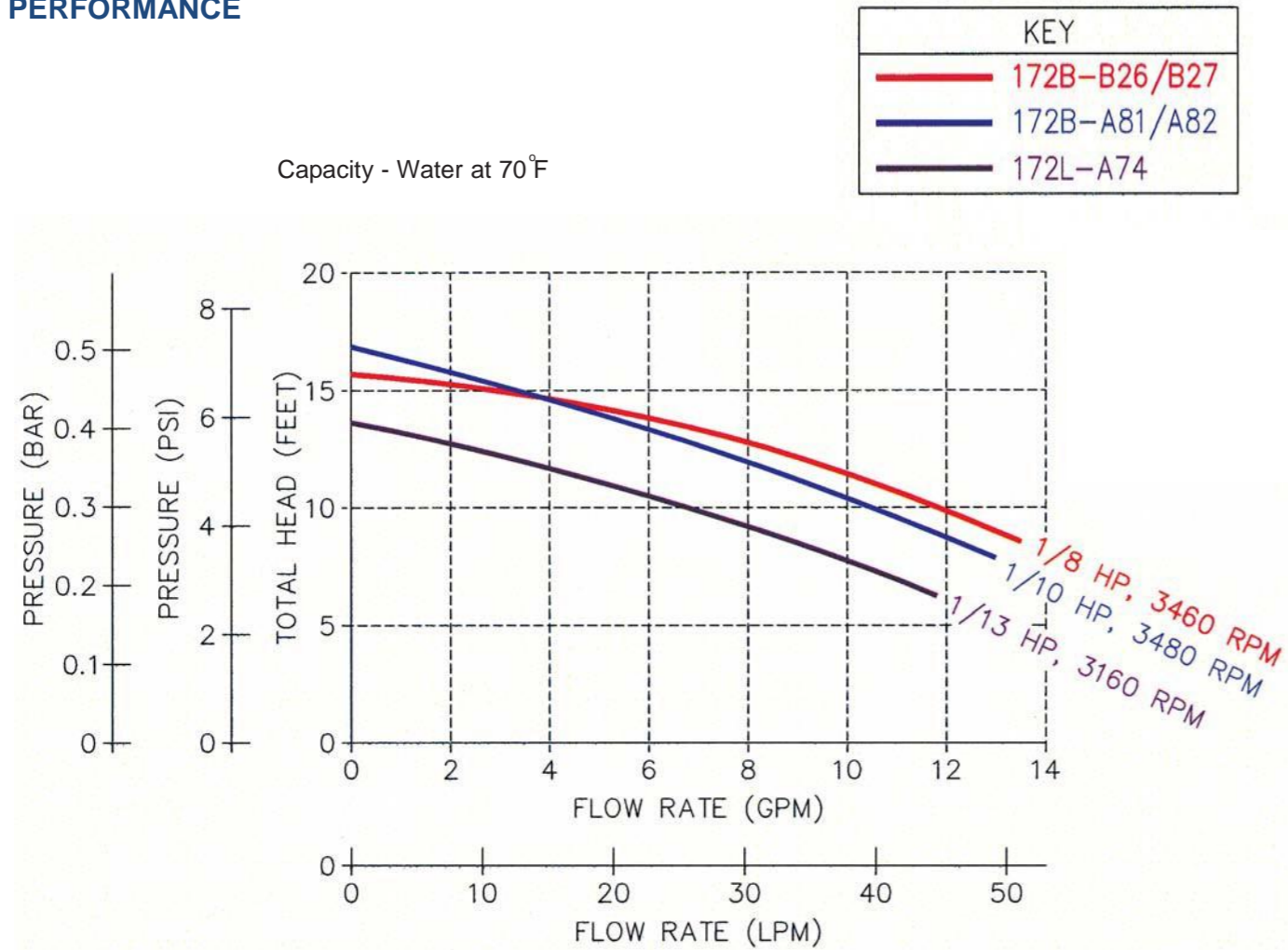
These pumps are not self-priming. They must be installed below the liquid level so that the liquid flows to the pump by gravity (flooded suction).

The flow of these pumps can be conveniently controlled by a throttling valve in the discharge line. Horsepower demand will decrease as the pressure increases. Maximum horsepower occurs with a wide open discharge.

*Viton® is a registered trademark of DuPont Dow Elastomers. Viton® or equivalent FKM will be used.

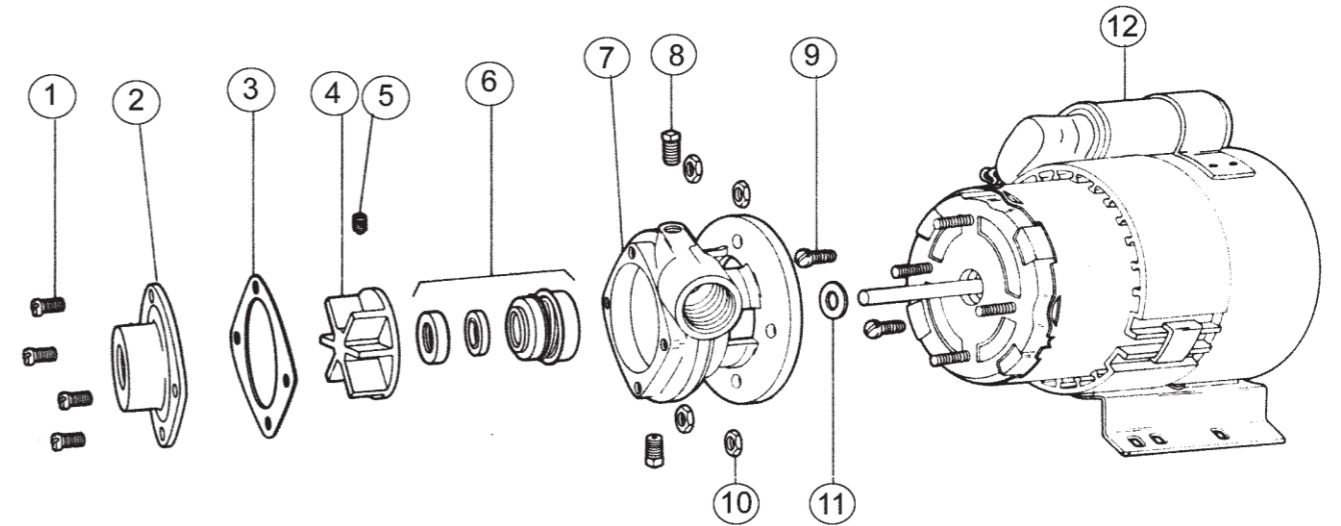
BRONZE CLOSE COUPLED CENTRIFUGAL PUMP

PERFORMANCE



BRONZE CLOSE COUPLED CENTRIFUGAL PUMP

EXPLODED VIEW AND PARTS LIST



Model 172B

Pump #	Config	1	2	3*	4*	5*	6*	7	8	9	10a	10b	11	12	13	Repair Kit *
		Screw	Cover	Gasket	Impeller	Set Screw	Seal Assy	Body	Plug	Screw	Hex Nut	Lockwasher	Slinger	Motor	Grommet	
172B	Std Buna	5385	7375	7020	7678	6079	32458	7456	5395							11071
172B-03	Vertical Outlet	5385	7375	7020	7678	6079	32458	7456	5395							11071
172B-07	1/2" Inlet	5385	7275	7020	7678	6079	32458	7456	5395							11071
172BS10	Viton Type 68	5385	7375	7020	7678	6079	32003	7456	5395							12329
172B-08	Viton Type 6A	5385	7375	7020	7678	6079	32482	9786	5395							12004
	Motor #	Config														
	A81	1/10 HP, 3480 RPM, 12 VDC, TEFC									7424	----	5656	6651	9950	6650
	A82	1/10 HP, 3480 RPM, 24 VDC, TEFC									7424	----	5656	6651	9949	6650
	A87	1/10 HP, 3480 RPM, 32 VDC, TEFC									7424	----	5656	6651	8103	6650
	B26	1/8 HP, 3460 RPM, 115 VDC, 50/60HZ TEFC, Ignition Protected									----	7686	5656	6651	8281	----
	B27	1/8 HP, 3460 RPM, 230 VDC, 50/60HZ TEFC, Ignition Protected									----	7686	5656	6651	8282	----

Model 172L

Pump #	Config	1	2	3*	4*	5*	6	8	9	10b	11	12	Repair Kit *	
		Screw	Cover	Gasket	Impeller	Seal Assy	Body	Plug	Screw	Lockwasher	Slinger	Motor		
172L	Std Buna	5385	7375	7020	7678-1	32458	7456	6052					12330	
172LS10	Viton Type 68	5385	7375	7020	7678-1	32003	7456	6052					12331	
	Motor #	Config												
	A74	1/13 HP, 3160 RPM, 12 VDC, TEFC									7424	5656	3108	2195