

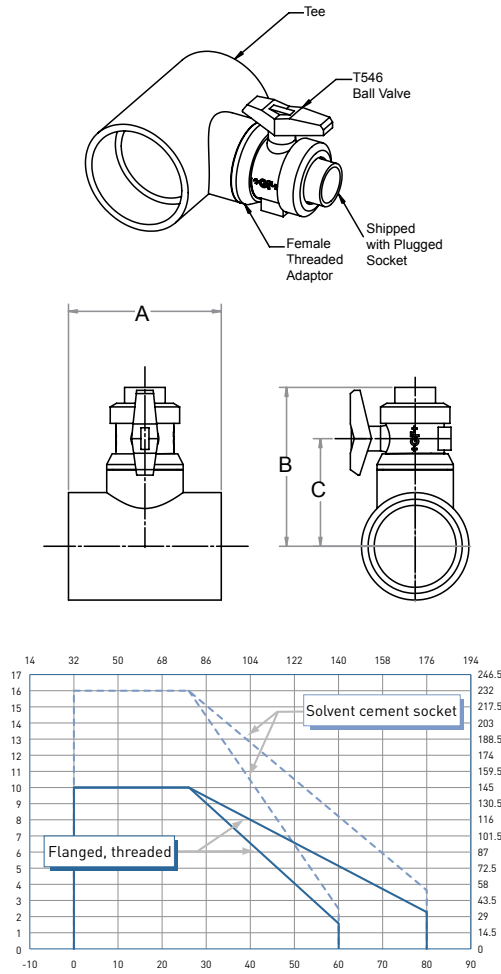


Tee Valve



Tee Valve

Type 546 True Union Ball Valve Preassembled to a Solvent Cement Socket Tee



CPVC and PVC True Union Tee Valves shall have a Type 546 Ball Valve cemented to a tee. The valve end will be shipped with a plug. Socket and threaded ends shipped loose for field installation. Incorporated into its design safety features is a blow-out proof stem with intended break point and the ability to hold pressure when the downstream union nut is removed. The union nut threads shall be of the buttress type to provide strong connection to the piping system. Seats shall be with backing rings creating self-adjusting seals and constant operating torque. Backing rings and seals shall be EPDM or FPM. The handle shall include in its design a key for removal of the seat carrier in addition to having sufficient elevation to permit hand clearance. Seat carrier shall have fine-pitched left-hand threads to prevent possible unscrewing when threaded and connectors are removed from pipe. CPVC material shall meet or exceed the requirements of 23447-B according to the classifications and requirements of ASTM D-1784. End connections shall comply with ASTM 1970-01. Socket end connection dimensions shall conform to ASTM D-2467. Threaded pipe connections shall be in accordance with ASTM D-2464 which references ANSI B1.20.1 for tapered pipe threads.

for tapered pipe threads. PVC material shall meet or exceed the requirements of 12454-B according to the classifications and requirements of ASTM D-1784. End connections shall comply with ASTM 1970-01. Socket end connection dimensions shall conform to ASTM D-2467. Threaded pipe connections shall be in accordance with ASTM D-2464 which references ANSI B1.20.1 for tapered pipe threads.

Technical Features

- Standard size range 1 x 1/2 to 8 x 2
- Available in PVC and CPVC with solvent cement tee and socket or threaded valve end
- EPDM seals and PTFE ball seats standard.
- 232 psi rating for PVC, CPVC, socket
- ASTM 1970-01 compliant end connection on valve
- Valve has union nuts with strong buttress threads
- Seat carrier with left-handed, fine-pitched thread for precise adjustment
- Many other options and size configurations available within Type 546 ball valve, including FPM seals, PP and PVDF material.

Dimensions PVC, CPVC

Part Number	Size	A	B	C
150319100	1 x 1/2	3.72	5.47	3.35
150319101	1 1/4 x 1/2	4.37	5.59	3.59
150319102	1 1/4 x 1	4.37	6.46	3.84
150319103	1 1/2 x 1/2	4.87	5.72	3.72
150319104	1 1/2 x 1	4.87	6.72	4.10
150319105	2 x 1/2	5.62	6.25	4.25
150319106	2 x 3/4	5.62	6.63	4.25
150319107	2 x 1	5.62	7.13	4.50
150319108	2 x 1 1/2	5.62	8.25	5.00
150319109	3 x 1/2	6.39	6.51	4.51
150319110	3 x 1	6.39	7.38	4.26
150319111	3 x 1 1/2	6.39	8.51	5.26
150319112	3 x 2	6.39	9.13	5.63
150319113	4 x 1	7.06	8.72	6.10
150319114	4 x 1 1/2	7.06	9.72	6.47
150319115	4 x 2	9.27	10.73	7.11
150319116	6 x 2	13.09	10.06	6.44
150319117	8 x 2	17.22	15.19	11.57

Tee	Type 546 Ball Valve PVC/EPDM	CPVC Components	
		Tee	546 Ball Valve CPVC/EPDM
801-010	161 546 342	9801-010	163 546 342
801-012	161 546 345	9801-012	163 546 345
801-012	161 546 345	9801-012	163 546 345
801-015	161 546 342	9801-015	163 546 342
801-015	161 546 344	9801-015	163 546 344
801-020	161 546 342	9801-020	163 546 342
801-020	161 546 343	9801-020	163 546 343
801-020	161 546 344	9801-020	163 546 344
801-020	161 546 346	9801-020	163 546 346
801-338	161 546 342	9801-338	163 546 342
801-338	161 546 344	9801-338	163 546 344
801-338	161 546 346	9801-338	163 546 346
801-338	161 546 347	9801-338	163 546 347
801-420	161 546 344	9801-420	163 546 344
801-420	161 546 346	9801-420	163 546 346
801-040	161 546 347	9801-040	163 546 347
801-532	161 546 347	9801-532	163 546 347
801-585	161 546 347	9801-585	163 546 347

George Fischer Inc., 2882 Dow Avenue, Tustin, CA 92780-7258
 Tel. (714) 731-8800, Toll Free (800) 854-4090, Fax (714) 731-6201
 e-mail: us.ps@georgfischer.com
www.us.piping.georgfischer.com