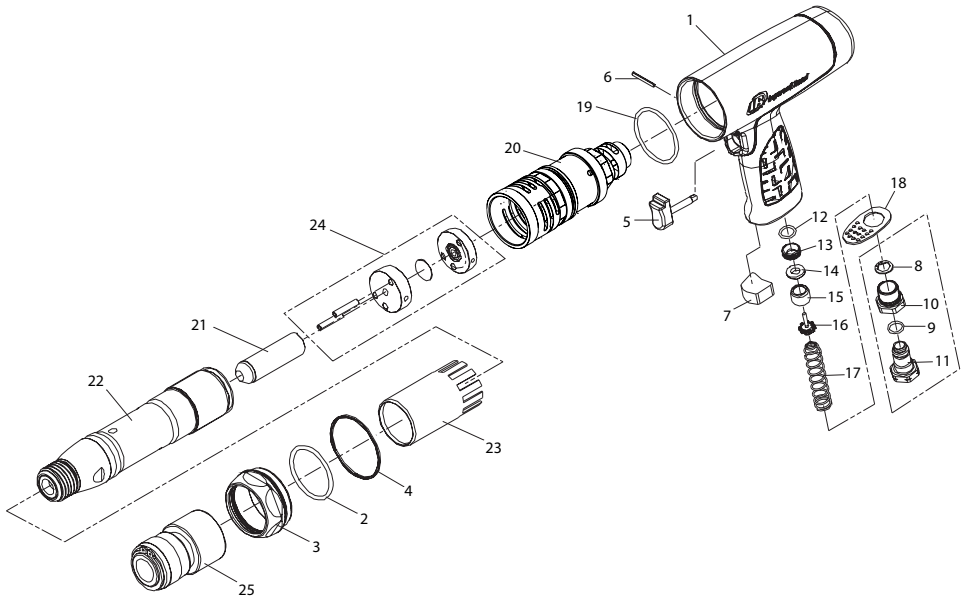


# 118MAX, 118MAXH Air Hammer - Exploded View



(Dwg. 47147046)

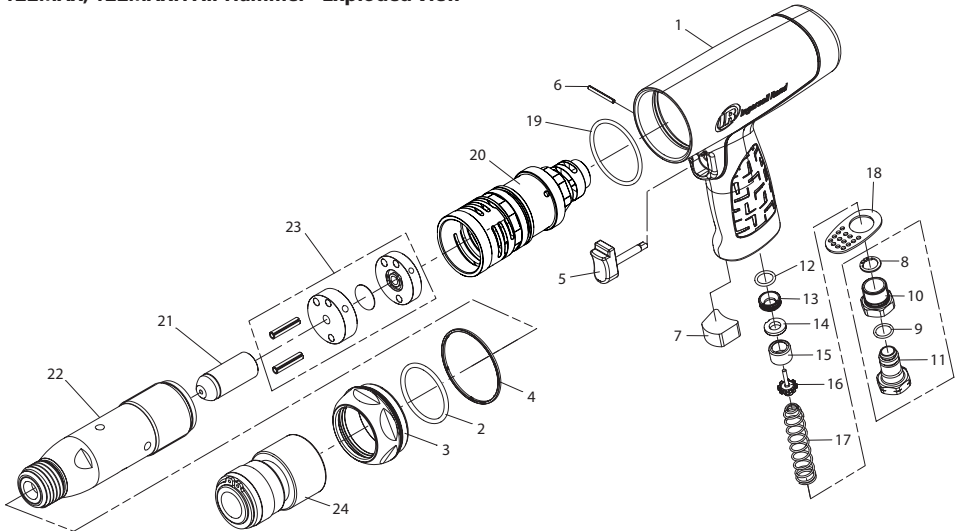
## 118MAX, 118MAXH Air Hammer - Parts List

Item	Part Description	Part Number	CCN	Item	Part Description	Part Number	CCN
1	Housing	122MAX-59	47125893	18	Deflector	122MAX-123	47126081
2	O - Ring	118MAX-65	47127949	19	O - Ring	122MAX-282	47126099
3	Front Cap	118MAX-27	47127956	20	Rear Cushion	122MAX-304	47126313
4	RED Gasket	122MAX-36	47126396	21	Main Piston	118MAX-20	47127816
5	Trigger Unit	122MAX-93	47125919	22	Cylinder		
6	Spring Pin	122MAX-121	47125927		for Model 118MAX	118MAX-6	47127824
7	Muffer	122MAX-311	47125935		for Model 118MAXH	118MAXH-6	48484877
	Air Inlet Assembly	529-565X	46816047	23	Dusty Cover	118MAX-23	47127832
8	Ex-concentric Ring	---	---	24	Valve Assembly	122MAX-4A	47126131
9	O - Ring	---	---		Valve Unit	---	---
10	Air Inlet	---	---		Valve Seal	---	---
11	Swivel Adapter	---	---		Valve Unit	---	---
12	O - Ring	122MAX-168	47126024		Spring Pin (2)	---	---
13	Insert Bushing	122MAX-303	47126032	25	Quick Change Retainer	9510	80167752
14	Seal	122MAX-210	47126040	*26	Specification Label	118MAX-300	47126438
15	Bushing	122MAX-503	47126057	*27	Warning label	122MAX-99	46816641
16	Tip Valve	122MAX-302	47126065	*28	Chisel Set	9500	80117427
17	Valve Spring	122MAX-51	47126073				

\* Not Illustrated



## 122MAX, 122MAXH Air Hammer - Exploded View



(Dwg. 47147053)

## 122MAX, 122MAXH Air Hammer - Parts List

Item	Part Description	Part Number	CCN	Item	Part Description	Part Number	CCN
1	Housing	122MAX-59	47125893	17	Valve Spring	122MAX-51	47126073
2	O - Ring	122MAX-65	47126123	18	Deflector	122MAX-123	47126081
3	Front Cap	122MAX-27	47125901	19	O - Ring	122MAX-282	47126099
4	RED Gasket	122MAX-36	47126396	20	Rear Cushion	122MAX-304	47126313
5	Trigger Unit	122MAX-93	47125919	21	Main Piston	122MAX-20	47126107
6	Spring Pin	122MAX-121	47125927	22	Cylinder		
7	Muffler	122MAX-311	47125935			for Model 122MAX	122MAX-6
	Air Inlet Assembly	529-565X	46816047	for Model 122MAXH	122MAXH-6	48484869	
8	Ex-concentric Ring	---	---	23	Valve Assembly	122MAX-4A	47126131
9	O - Ring	---	---		Valve Unit	---	---
10	Air Inlet	---	---		Valve Seal	---	---
11	Swivel Adapter	---	---		Valve Unit	---	---
12	O - Ring	122MAX-168	47126024		Spring Pin (2)	---	---
13	Insert Bushing	122MAX-303	47126032	24	Quick Change Retainer	9510	80167752
14	Seal	122MAX-210	47126040	*25	Specification Label	122MAX-300	47126321
15	Bushing	122MAX-503	47126057	*26	Warning Label	122MAX-99	46816641
16	Tip Valve	122MAX-302	47126065	*27	Chisel Set	9500	80117427

\* Not Illustrated

## Parts and Maintenance

When the life of the tool has expired, it is recommended that the tool be disassembled, degreased and parts be separated by material so that they can be recycled.

Tool repair and maintenance should only be carried out by an authorized Service Center.

Refer all communications to the nearest **Ingersoll Rand** Office or Distributor.

## Related Documentation

For additional information refer to:

Product Safety Information Manual 04581450.

Product Information Manual 46816427.

Manuals can be downloaded from [ingersollrandproducts.com](http://ingersollrandproducts.com)



ingersollrandproducts.com  
© 2014 Ingersoll Rand

47125943  
Edition 5  
September 2014