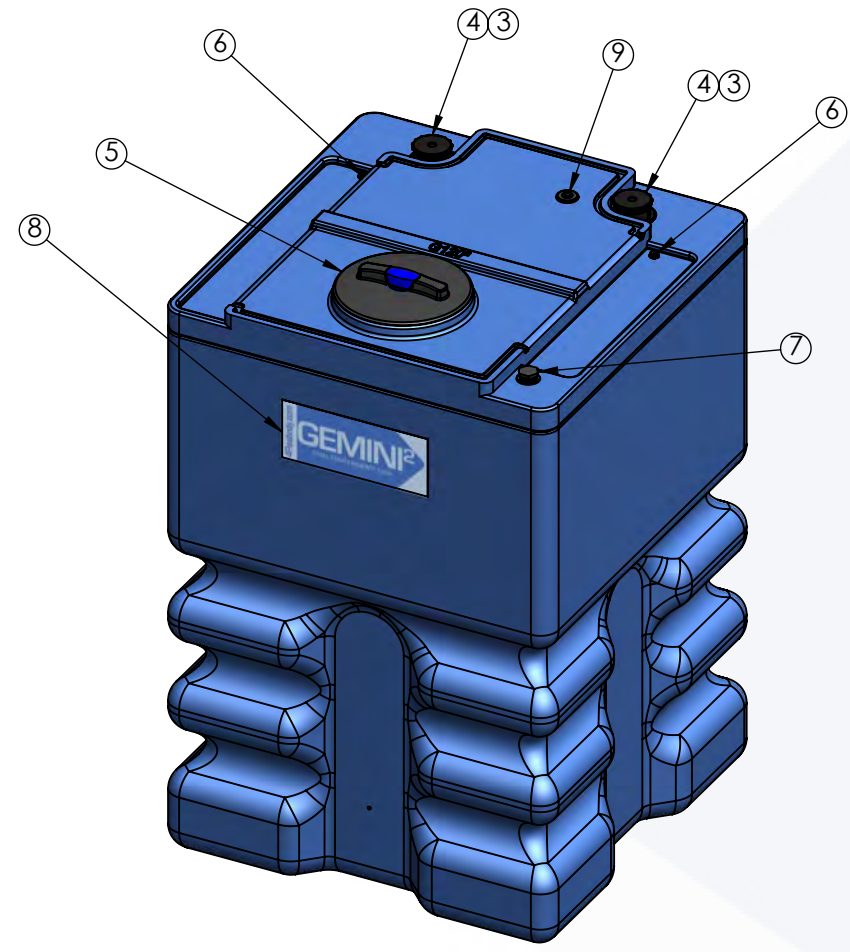


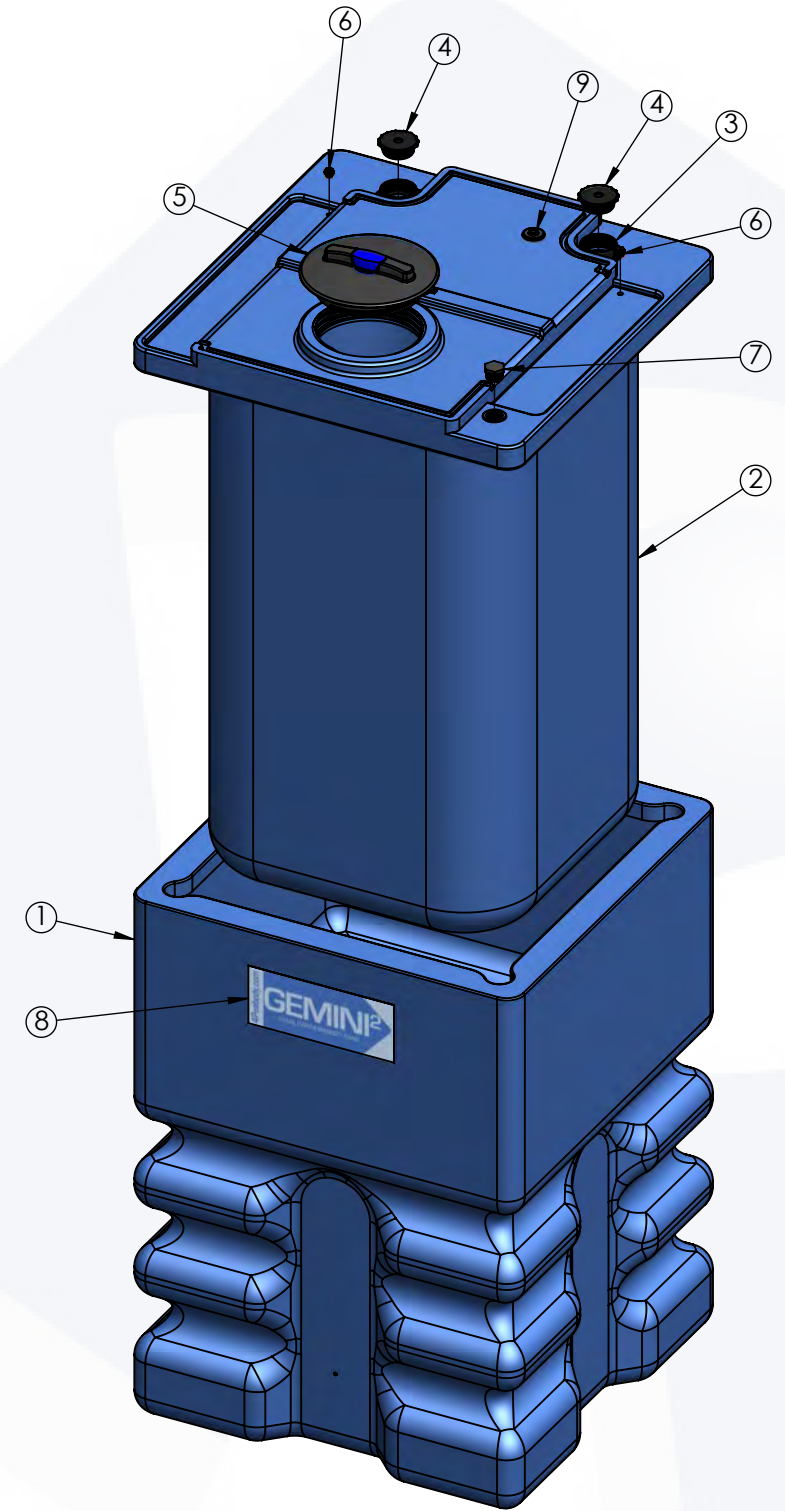
120 GALLON GEMINI <sup>2</sup>	PART NUMBER	
	BLUE	NATURAL
LPE (1.5)	01-32973	01-32974
LPE (1.9)	01-32975	01-32976
XLPE (1.5)	N/A	01-32978
XLPE (1.9)	N/A	01-32980

ALTERNATE CONFIGURATION TO MEET NSF / ANSI STANDARD 61 AVAILABLE

TOP LEVEL ASSEMBLY		
ITEM NO.	DESCRIPTION	Default/QTY.
1	120G GEMINI <sup>2</sup> , SECONDARY TANK	1
2	120G GEMINI <sup>2</sup> , PRIMARY TANK	1
3	Ø2" FNPT SPIN WELD FITTING, PE	2
4	Ø2" MPT PLUG, PE, BLACK	2
5	Ø8" VENTED TWIST LID ASSEMBLY	1
6	RED CAPLUG / O-RING SUB-ASSY	2
7	Ø1" PLUG, MPT, PE, BLACK	1
8	GEMINI <sup>2</sup> MOLD IN LOGO	1
9	Ø1-5/8" CAPLUG / GROMMET ASSY	1



**ISOMETRIC VIEW  
(ASSEMBLED)**



**ISOMETRIC VIEW  
(EXPLODED)**

- NOTES:
- CAPACITY: 120 GAL. NOMINAL
  - APPROXIMATE WEIGHT: 116
  - TANK MATERIAL: LPE
  - SERVICE PRESSURE: ATMOSPHERIC

**PROPRIETARY AND CONFIDENTIAL**  
THE INFORMATION CONTAINED IN THIS DRAWING IS THE SOLE PROPERTY OF PEABODY ENGINEERING. ANY REPRODUCTION IN PART OR AS A WHOLE WITHOUT THE WRITTEN PERMISSION OF PEABODY ENGINEERING IS PROHIBITED.

UNLESS OTHERWISE SPECIFIED:		NAME	DATE	
DIMENSIONS ARE IN INCHES TOLERANCES: ±1/4" ANGULAR: ±.5° ONE PLACE DECIMAL: ±.25 TWO PLACE DECIMAL: ±.125 THREE PLACE DECIMAL: ±.063		DRAWN	RFR 10/20/17	
TANK MATERIAL:	LPE	CHECKED		PROJECT: GEMINI DUAL CONTAINMENT® TANKS
INNER TANK S/N:		ENG APPR.		CUSTOMER: PEABODY STANDARD
OUTER TANK S/N:		MFG APPR.		SITE/LOCATION: FOB: CORONA, CA
CUSTOMER PO#		Q.A.		SALES ORDER: -
DO NOT SCALE DRAWING	CALL FOR PART NUMBERS	<b>ALTERNATIVE VERSIONS</b> MATERIALS: XLPE, PPL, PVDF COLORS: NATURAL, BLUE OR BLACK AVAILABLE WITH FRP WRAP		SIZE: B DESC.: 120 GALLON GEMINI <sup>2</sup> TANK, 32" x 32" x 50" REV.: H
		SCALE: 1:14		SHEET 1 OF 2

