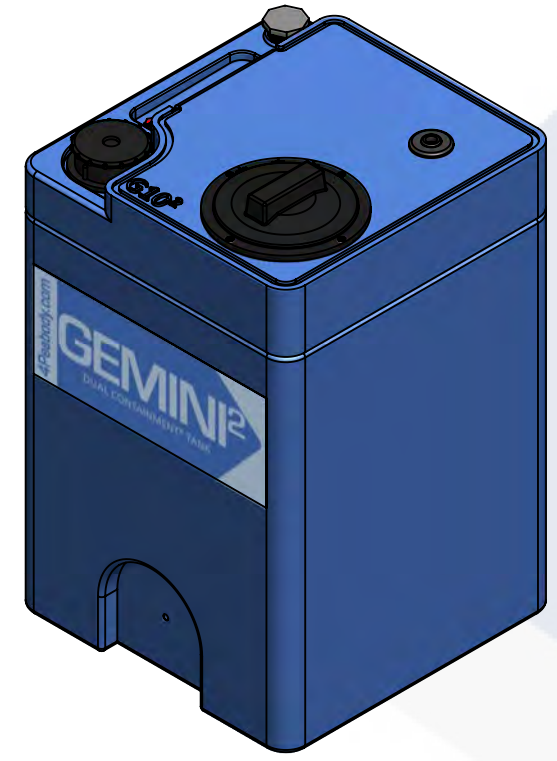


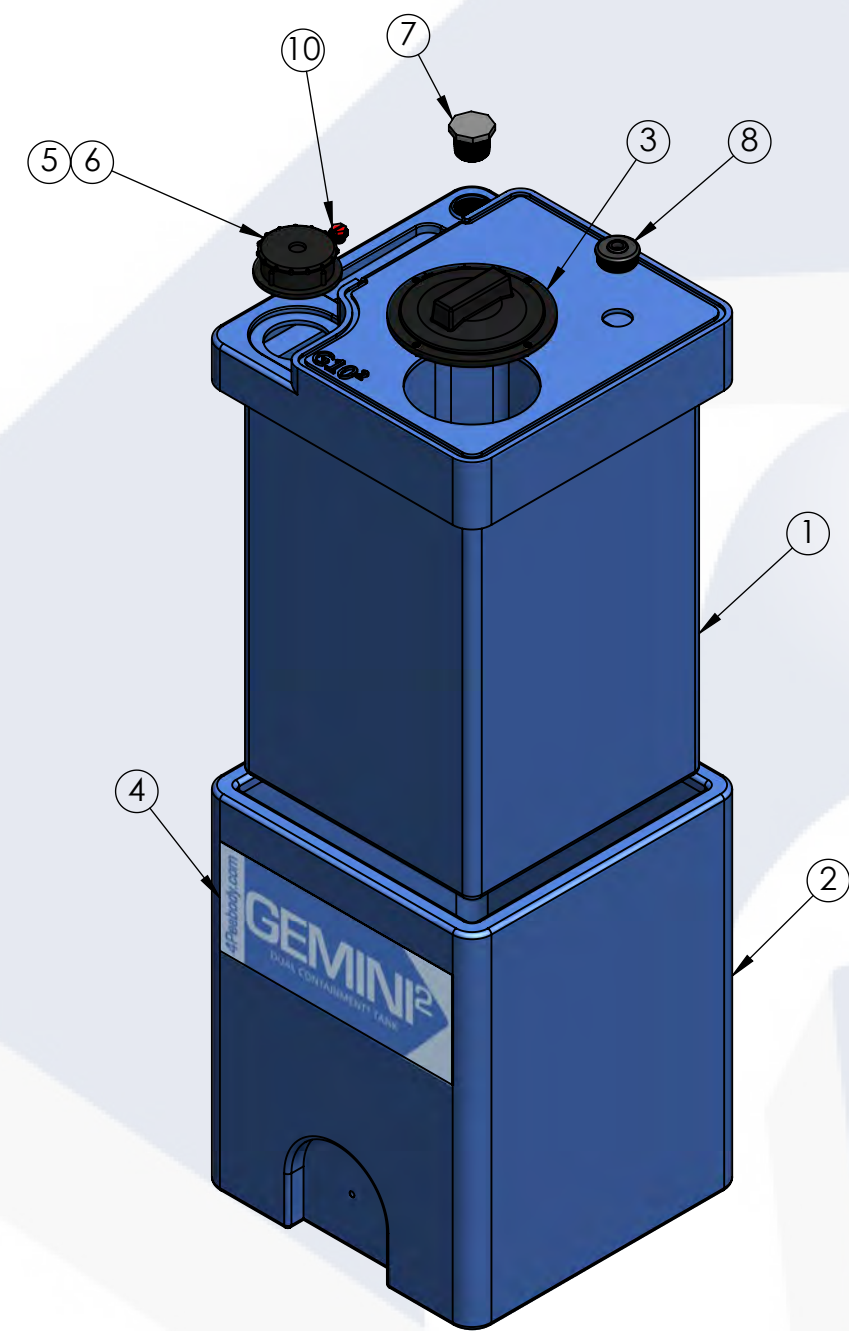
10 GALLON GEMINI ²	PART NUMBER	
	BLUE	NATURAL
LPE (1.5)	01-29816	01-29820
LPE (1.9)	01-30044	01-30048
XLPE (1.5)	N/A	01-30146
XLPE (1.9)	N/A	01-30151

ALTERNATE CONFIGURATION TO MEET NSF/ANSI STANDARD 61 AVAILABLE

TOP LEVEL ASSEMBLY		
ITEM NO.	DESCRIPTION	QTY.
1	10G GEMINI ² , PRIMARY TANK	1
2	10G GEMINI ² , SECONDARY TANK	1
3	Ø6" OD / 4" ID TWIST LID ASSY	1
4	GEMINI ² MOLD IN LOGO	1
5	Ø2" FNPT SPIN WELD FITTING, PE	1
6	Ø2" MPT PLUG, PE, BLACK	1
7	Ø1" MNPT THREADED PLUG BLACK PE	1
8	Ø1-5/8" CAPLUG / GROMMET ASSY	1
10	RED CAPLUG / O-RING SUB-ASSY	1




**ISOMETRIC VIEW
(ASSEMBLED)**

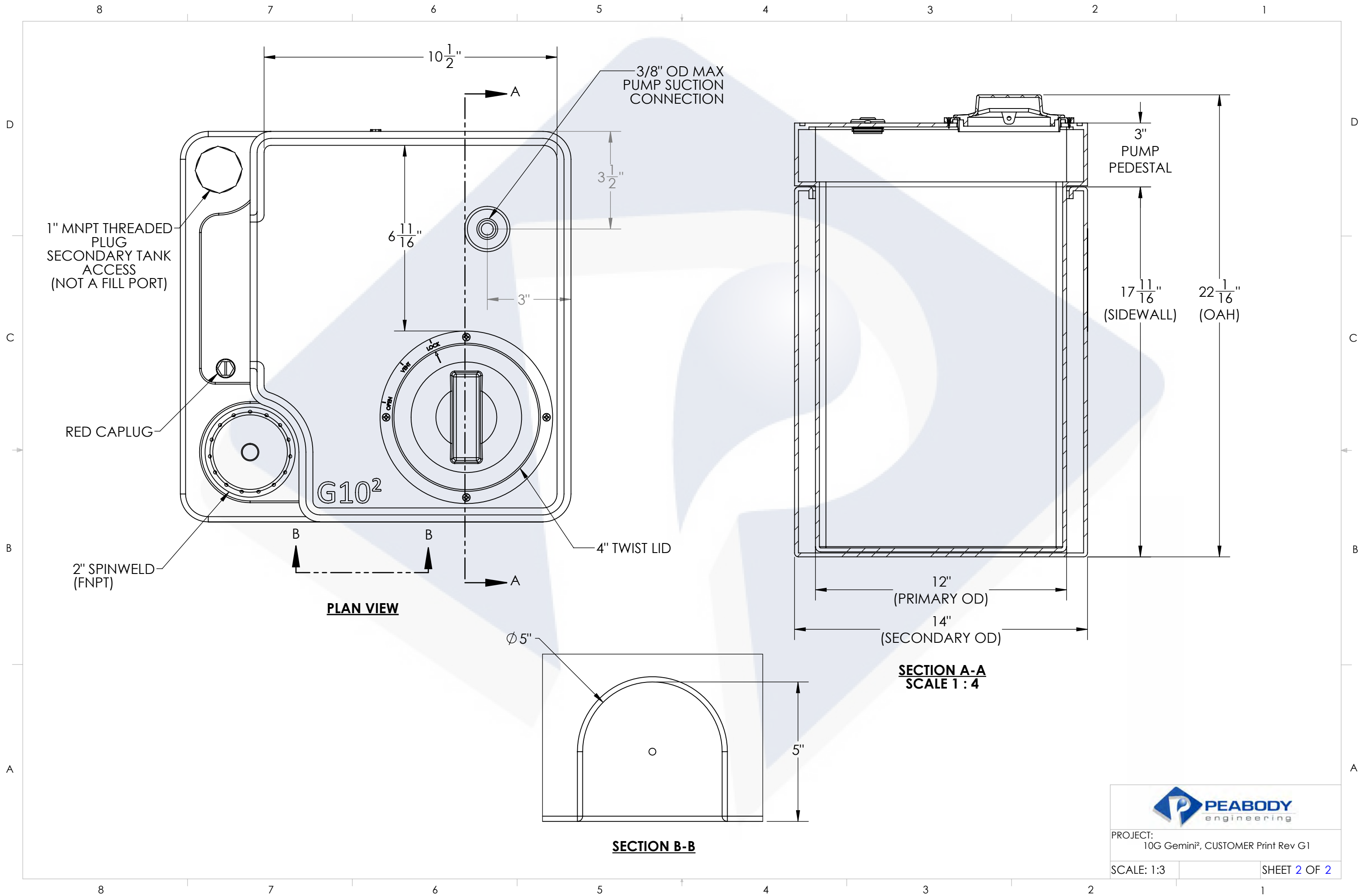


**ISOMETRIC VIEW
(EXPLODED)**

- NOTES:**
- CAPACITY: 10 GAL. NOMINAL
 - APPROXIMATE WEIGHT: 15 LBS
 - TANK MATERIAL: LLDPE W/ UV INHIBITOR
 - GASKET: EPDM
 - SERVICE PRESSURE: ATMOSPHERIC

PROPRIETARY AND CONFIDENTIAL
THE INFORMATION CONTAINED IN THIS DRAWING IS THE SOLE PROPERTY OF PEABODY ENGINEERING. ANY REPRODUCTION IN PART OR AS A WHOLE WITHOUT THE WRITTEN PERMISSION OF PEABODY ENGINEERING IS PROHIBITED.

UNLESS OTHERWISE SPECIFIED:		NAME	DATE		
DIMENSIONS ARE IN INCHES TOLERANCES: ±1/4" ANGULAR: ± .5° ONE PLACE DECIMAL: ± .25 TWO PLACE DECIMAL: ± .125 THREE PLACE DECIMAL: ± .063		DRAWN	MHS 2/24/17		PROJECT: GEMINI² DUAL CONTAINMENT TANK
TANK MATERIAL: LPE		CHECKED			CUSTOMER: PEABODY STANDARD
INNER TANK S/N:		ENG APPR.			SITE/LOCATION: -
OUTER TANK S/N:		MFG APPR.		DRAWING#: SEE TABLE	
CUSTOMER PO#		Q.A.		SIZE B DESC. 10 GALLON GEMINI² TANK, 14" x 14" x 22" REV. G	
DO NOT SCALE DRAWING		ALTERNATIVE VERSIONS		SCALE: 1:7 SHEET 1 OF 2	
		MATERIALS: XLPE, PPL, PVDF COLORS: NATURAL, BLUE OR BLACK AVAILABLE WITH FRP WRAP			
		CALL FOR PART NUMBERS			



1" MNPT THREADED
PLUG
SECONDARY TANK
ACCESS
(NOT A FILL PORT)

RED CAPLUG

2" SPINWELD
(FNPT)

G10²

3/8" OD MAX
PUMP SUCTION
CONNECTION

3"
PUMP
PEDESTAL

17 11/16"
(SIDEWALL) 22 1/16"
(OAH)

4" TWIST LID

12"
(PRIMARY OD)

14"
(SECONDARY OD)

SECTION A-A
SCALE 1 : 4

PLAN VIEW

Ø 5"

SECTION B-B



PROJECT:
10G Gemini², CUSTOMER Print Rev G1

SCALE: 1:3

SHEET 2 OF 2