



MARCH PUMPS

1819 PICKWICK AVE., GLENVIEW, IL 60026-1306, U.S.A
 PHONE: (847) 729-5300 - FAX: (847) 729-7062
 WWW.MARCHPUMP.COM

TE-8C-MD
 TE-8K-MD
 TE-8S-MD

DESCRIPTION:

Series 8 are centrifugal magnetic drive pumps, eliminating the need for a shaft seal. Pumps are serviceable with an adjustable wrench. Screws should be tightened in sequence & uniformly. Do not over tighten the screws or you may crush the plastic housing bosses. See the parts list for a breakdown of parts.

OPERATION:

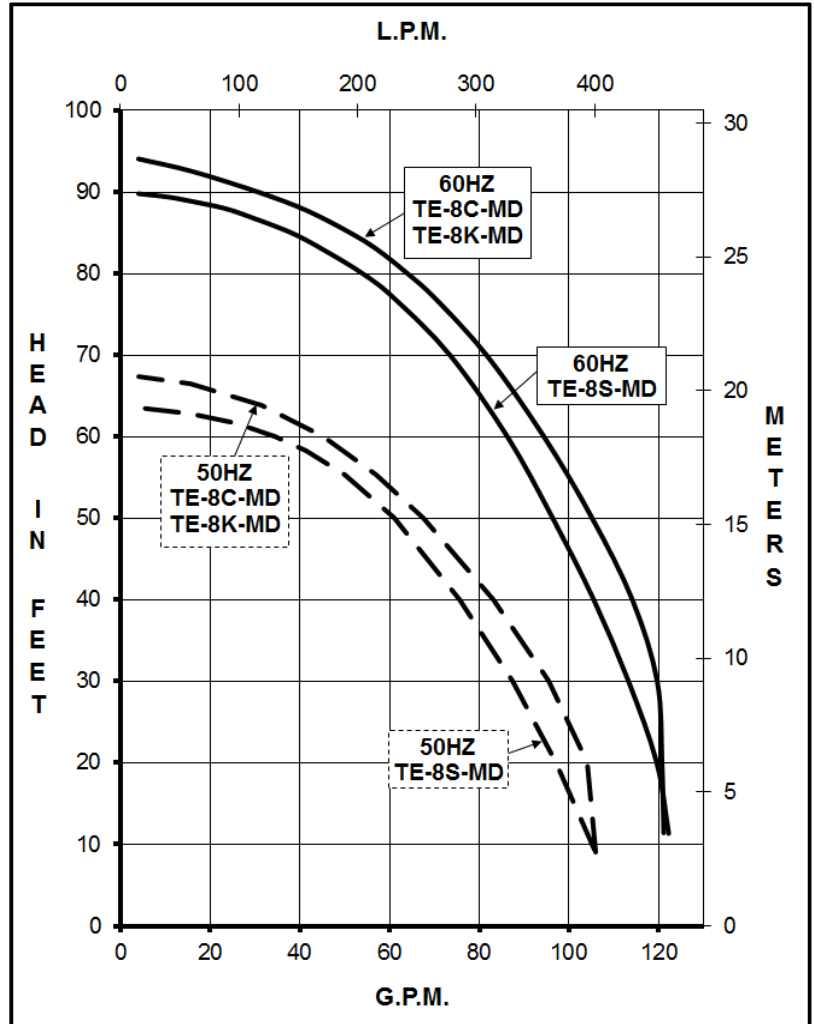
Pumps are not self-priming, lack a suction lift, and thus require a **flooded suction**. Pumps **cannot be run dry** because the impeller requires the liquid being pumped for lubrication. The direction of motor rotation should be clockwise when facing the inlet of the pump. For liquids with a specific gravity greater than water, have a higher viscosity, or for elevated temperatures, a trimmed impeller may be necessary. For application assistance, contact March Pump.

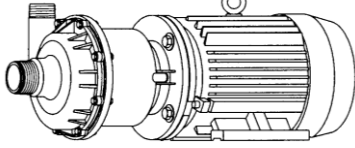
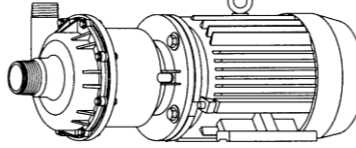
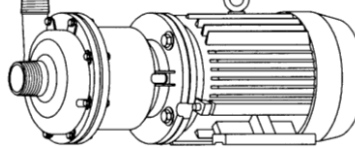
ASSEMBLY & DISASSEMBLY:

When replacing impeller bushings in the field, the plastic bushings must be bored to size after they have been pressed into the impeller. Bore to 0.630/0.632 I.D. The carbon & ceramic bushings are to finished size and do not require boring. When attaching the drive magnet to the motor shaft, position the face of the drive magnet 3/8 inch below the face of the motor bracket.

LIMITED WARRANTY:

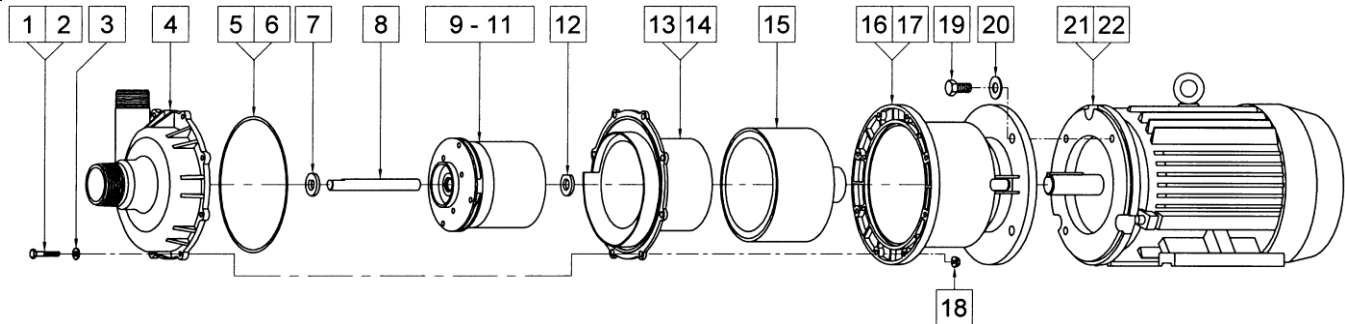
March pumps are guaranteed only against defects in workmanship or materials for a period of one year from date of manufacture pumping water. For the complete warranty and to register online go to www.marchpump.com/warranty-registration



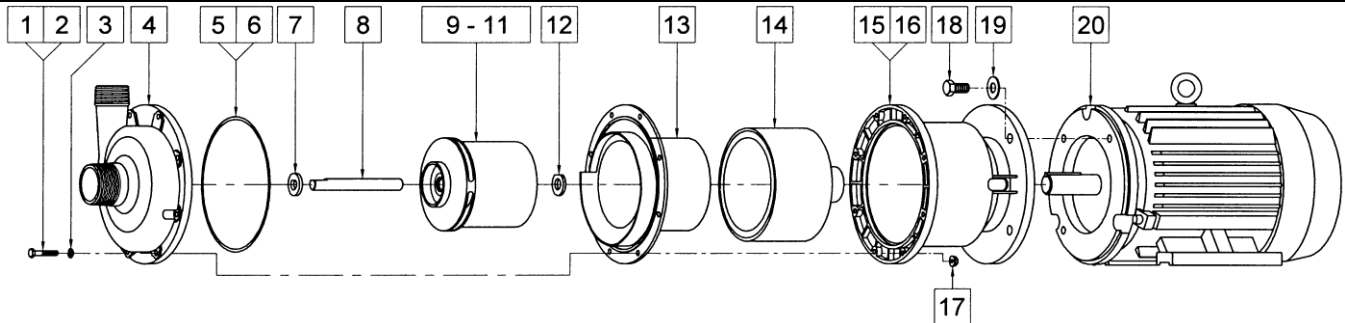
SPECIFICATIONS	TE-8C-MD		TE-8K-MD		TE-8S-MD	
						
Model Abbreviations	C: Polypropylene		K: Kynar		S: Stainless Steel	
Max Flow	60Hz - 50Hz		120 gpm - 400 lpm		120 gpm - 400 lpm	
Max Head	60Hz - 50Hz		95 ft / 41.1 psi - 20 m		90 ft / 39 psi - 19.3 m	
Inlet - Outlet	2" MPT - 1-1/2" MPT		2" MPT - 1-1/2" MPT		2" MPT - 1-1/2" MPT	
Max Internal Pressure	50 psi / 3.4 bar		75 psi / 5 bar		200 psi / 13 bar	
Max Liquid Temperature	190°F / 87°C		200°F / 93°C		250°F / 121°C	
Packed Weight	142 lbs / 64.41 kg		180 lbs / 81.5 kg		180 lbs / 81.5 kg	
Overall Pump Size	Inches		10.86 x 12.73 x 24.68		10.86 x 12.73 x 24.68	
(H x W x L)	cm		27.5 x 32.3 x 62.6		27.5 x 32.3 x 62.6	
Motor Type	60Hz	50Hz	60Hz	50Hz	60Hz	50Hz
Rating / Duty	TEFC: Totally Enclosed Fan Cooled		TEFC: Totally Enclosed Fan Cooled		TEFC: Totally Enclosed Fan Cooled	
	U.L. listed motor / Continuous		U.L. listed motor / Continuous		U.L. listed motor / Continuous	
3Ph	Watts - Amps	(230V) 2983 - 7.8 (190V) 1895 - 9.2	(230V) 2983 - 7.8 (190V) 1895 - 9.2	(230V) 2983 - 7.8 (190V) 1895 - 9.2	(230V) 5030 - 12.6 (190V) 3310 - 15	(230V) 5030 - 12.6 (190V) 3310 - 15
		(460V) 2983 - 3.9 (380V) 1895 - 4.6	(460V) 2983 - 3.9 (380V) 1895 - 4.6	(460V) 2983 - 3.9 (380V) 1895 - 4.6	(460V) 5030 - 6.3 (380V) 3310 - 7.5	(460V) 5030 - 6.3 (380V) 3310 - 7.5
	Hp / Kw - Rpm	3 - 3450 2.2 - 2850	3 - 3450 2.2 - 2850	3 - 3450 2.2 - 2850	5 - 3450 3.7 - 2850	5 - 3450 3.7 - 2850
Electrical Connection	Conduit Box		Conduit Box		Conduit Box	
Materials in Contact With Solution	TE-8C-MD: Polypropylene, Kynar/Carbon Filled, Viton, Teflon/Ryton/Carbon, Ceramic TE-8K-MD: Kynar/Carbon Filled, Viton, Carbon, Ceramic TE-8S-MD: 316 Stainless Steel, Viton, Carbon, Ceramic					

All specifications & data are based on pumping water & are intended as a guideline only. Specifications may vary with different motors.

PARTS LIST



#	DESCRIPTION	TE-8C-MD	TE-8K-MD	SIZE (Inches)	QTY.	TE-8C-MD	TE-8K-MD
1	Screw		Stainless	1/4-20 x 1-1/2 Lg.	8	0153-0011-1000	
2	Screw (Used w/Item #17) (Option)		Stainless	1/4-20 x 1-1/4 Lg.	8	0157-0036-1000	
3	Washer		Stainless	1/4 ID x 5/8 OD	8	0157-0023-1000	
4	Pump Housing	Polypropylene	Kynar		1	0157-0007-1000	0157-0052-1000
5	"O" Ring		Viton	0.157 CS x 7.244 ID	1	0157-0011-1000	
6	"O" Ring (Option)		Viton/Teflon	1/8 CS x 7-1/2 OD	1	0157-0032-1000	
7	Thrust Washer (Front)		Ceramic		1	0157-0001-1000	
8	Shaft		Ceramic		1	0157-0002-1000	
9	Impeller w/Ryton Bushing	Polypropylene	Kynar (Option)		1	0157-0004-0200	0157-0050-0200
10	Impeller w/Carbon Bushing	Polypropylene (Option)	Kynar		1	0157-0004-0500	0157-0050-0500
11	Impeller w/Mica Teflon Bushing	Polypropylene (Option)	Kynar (Option)		1	0157-0004-0700	0157-0050-0700
12	Thrust Washer (Rear)		Ceramic		1	0157-0009-1000	
13	Rear Housing		Kynar		1	0157-0053-1000	
14	Rear Housing	Ryton (Option)			1	0157-0038-0000	
15	Drive Magnet				1	0157-0005-0100	
16	Motor Bracket		Plastic		1	0157-0100-1000	
17	Motor Bracket (Option)		Metal		1	0157-0008-0000	
18	Lock Nut (Serrated)		Stainless	1/4-20	8	0156-0053-1000	
19	Screw		Stainless	1/2-13 x 1 Lg.	4	0160-0031-1000	
20	Washer		Stainless	1/2 ID x 1-1/4 OD	4	0160-0032-1000	
21	TEFC Motor, 3HP, 230/460V, 3 Phase, 50/60Hz				1	0157-0012-1000	
22	TEFC Motor, 5HP, 230/460V, 3 Phase, 50/60Hz (Option)				1	0157-0065-1000	
W	Wet End Kit	1, 3, 4, 5, 7, 8, 9, 13	1, 3, 4, 5, 7, 8, 10, 13		1	0157-0085-0100	0157-0086-0100



#	DESCRIPTION	TE-8S-MD	SIZE (Inches)	QTY.	TE-8S-MD
1	Screw	Stainless	1/4-20 x 1-1/2 Lg.	8	0153-0011-1000
2	Screw (Used w/Item #16) (Option)	Stainless	1/4-20 x 1-1/4 Lg.	8	0157-0036-1000
3	Lock Washer (Split)	Stainless	1/4	8	0157-0037-1000
4	Pump Housing	316 Stainless		1	0157-0030-0000
5	"O" Ring	Viton	0.157 CS x 7.244 ID	1	0157-0011-1000
6	"O" Ring (Option)	Viton/Teflon	1/8 CS x 7-1/2 OD	1	0157-0032-1000
7	Thrust Washer (Front)	Ceramic		1	0157-0001-1000
8	Shaft	Ceramic		1	0157-0002-1000
9	Impeller w/Carbon Bushing	316 Stainless		1	0157-0029-0500
10	Impeller w/Ryton Bushing (Option)	316 Stainless		1	0157-0029-0200
11	Impeller w/Mica Teflon Bushing (Option)	316 Stainless		1	0157-0029-0700
12	Thrust Washer (Rear)	Ceramic		1	0157-0009-1000
13	Rear Housing	316 Stainless		1	0157-0028-0000
14	Drive Magnet			1	0157-0005-0100
15	Motor Bracket	Plastic		1	0157-0100-1000
16	Motor Bracket (Option)	Metal		1	0157-0008-0000
17	Lock Nut (Serrated)	Stainless	1/4-20	8	0156-0053-1000
18	Screw	Stainless	1/2-13 x 1 Lg.	4	0160-0031-1000
19	Washer	Stainless	1/2 ID x 1-1/4 OD	4	0160-0032-1000
20	TEFC Motor, 5HP, 230/460V, 3 Phase, 50/60Hz			1	0157-0065-1000

Explosion proof and special voltage motors are available upon special order.

NOTE: Contact Factory for other materials and/or parts not listed.

0157-0021-1000 R15