



MARCH PUMPS

1819 PICKWICK AVE., GLENVIEW, IL 60026-1306, U.S.A
 PHONE: (847) 729-5300 - FAX: (847) 729-7062
 WWW.MARCHPUMP.COM

DP-6T-MD, TE-6K-MD DP-6K-MD, TE-6T-MD

DESCRIPTION:

Series 6 are centrifugal magnetic drive pumps, eliminating the need for a shaft seal. Pumps can be serviced with an adjustable wrench. See the parts list for a breakdown of parts.

OPERATION:

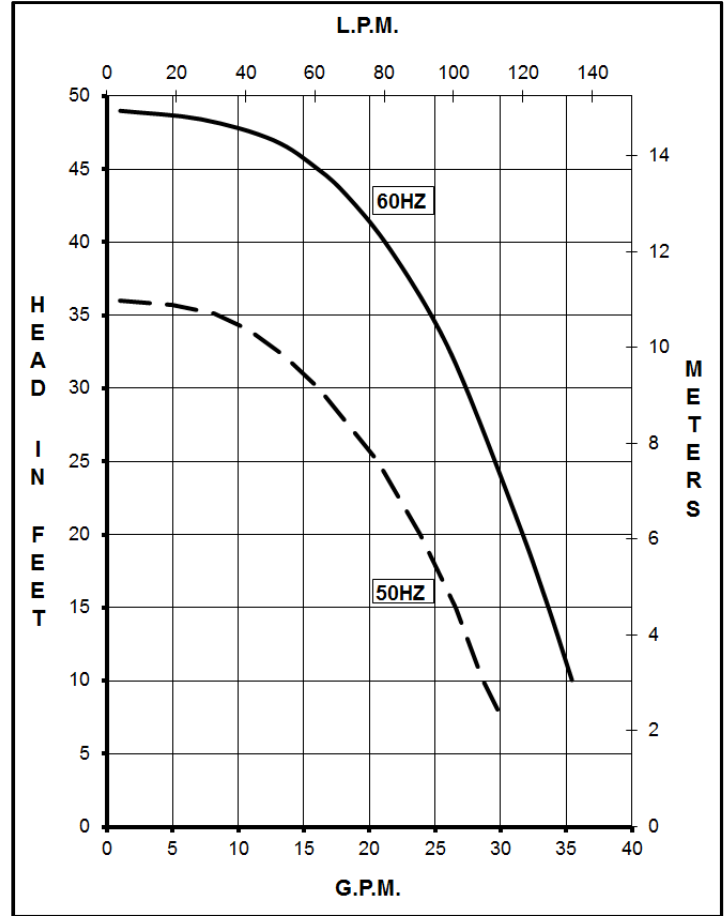
Pumps are not self-priming, lack a suction lift, and thus require a flooded suction. Pumps **cannot be run dry** because the impeller requires the liquid being pumped for lubrication. The direction of motor rotation should be clockwise when facing the inlet of the pump. For liquids with a specific gravity greater than water, have a higher viscosity, or for elevated temperatures, a trimmed impeller may be necessary. For application assistance, contact March Pump.

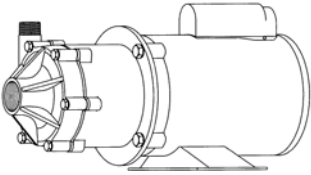
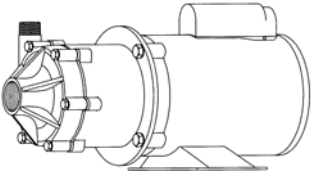
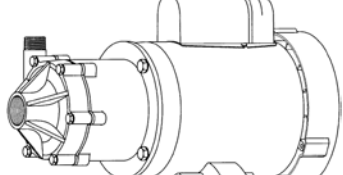
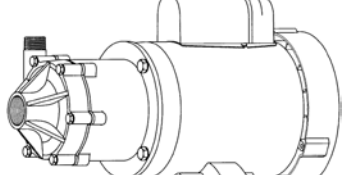
ELECTRICAL:

DP-6-MD pumps are 115/230V, 1 phase, drip proof.
 TE-6-MD pumps are 115/230V, 1 phase or 230/460V, 3 phase, TEFC.

LIMITED WARRANTY:

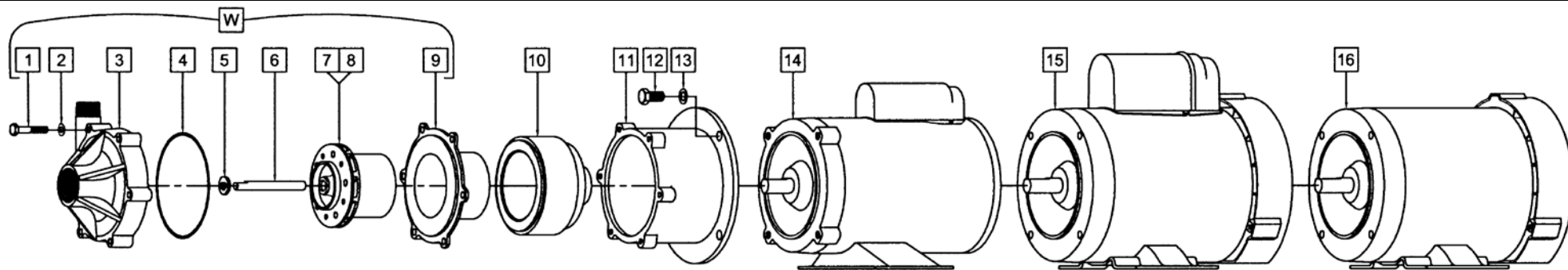
March pumps are guaranteed only against defects in workmanship or materials for a period of one year from date of manufacture pumping water. For the complete warranty and to register online go to www.marchpump.com/warranty-registration



SPECIFICATIONS	DP-6T-MD		DP-6K-MD		TE-6T-MD		TE-6K-MD	
								
Model Abbreviations	T: Ryton & Polypropylene		K: Kynar		T: Ryton & Polypropylene		K: Kynar	
Max Flow	60Hz {38 gpm} - 50Hz {113.5 lpm}				60Hz {38 gpm} - 50Hz {113.5 lpm}			
Max Head	60Hz {49 ft / 21.2 psi} - 50Hz {11 m}				60Hz {49 ft / 21.2 psi} - 50Hz {11 m}			
Inlet - Outlet	1" FPT - 3/4" MPT				1" FPT - 3/4" MPT			
Max Internal Pressure	50 psi / 3.4 bar		75 psi / 5 bar		50 psi / 3.4 bar		75 psi / 5 bar	
Liquid Temperature	190°F / 87°C Max		200°F / 93°C Max		190°F / 87°C Max		200°F / 93°C Max	
Overall Size (H x W x L)	1 Ph	7.79" x 6.54" x 15.14" - 19.7 cm x 16.6 cm x 38.4 cm			8.94" x 8.96" x 15.78" - 22.7 cm x 22.7 cm x 40.0 cm		7.34" x 8.96" x 15.28" - 18.6 cm x 22.7 cm x 38.8 cm	
Packed Weight	1 Ph	24.75 lbs / 11.22 kg		24.50 lbs / 11.11 kg	28.85 lbs / 13.08 kg		28.60 lbs / 12.97 kg	
	3 Ph				28.20 lbs / 12.79 kg		27.95 lbs / 12.67 kg	
	60Hz - 115V - 1 Phase		60Hz - 230V - 1 Phase		60Hz - 1 Phase	60Hz - 3 Phase	50Hz - 1 Phase	50Hz - 3 Phase
Motor Type	DP: Drip Proof				Totally Enclosed Fan Cooled			
Rating / Duty	U.L. listed motor / Continuous				U.L. listed motor / Continuous			
Watts - Amps	790 - 7.4		790 - 3.7		(115V) 795 - 7.4	(230V) 700 - 1.5	(115V) 555 - 8.4	(230V) 480 - 1.7
Hp / Kw - Rpm			1/2 - 3450		(230V) 795 - 3.7	(460V) 700 - 0.7	(230V) 555 - 4.2	(460V) 480 - 0.8
Electrical Connection	Junction Box				1/2 - 3450	1/2 - 3450	0.279 - 2850	0.372 - 2850
					Conduit Box			
Materials in Contact	DP-6T-MD & TE-6T-MD: Polypropylene, Ryton, Viton, Ceramic, Ryton/Teflon/Carbon							
With Solution:	DP-6K-MD & TE-6K-MD: Kynar/Carbon Filled, Viton, Ceramic, Carbon							

All specifications & data are based on pumping water & are intended as a guideline only. Specifications may vary with different motors.

PARTS LIST



#	DESCRIPTION	MATERIAL	SIZE (Inches)	QTY.	DP-6T-MD	DP-6K-MD	TE-6T-MD	TE-6K-MD
1	Screw	Stainless	1/4-20 x 1-3/4 Lg.	6		0153-0064-1000		
2	Washer	Stainless	1/4 ID x 1/2 OD	6		0155-0021-1000		
3	Front Housing w/Inlet & Outlet	Ryton		1	0153-0002-1000		0153-0002-1000	
	Front Housing w/Inlet & Outlet	Kynar		1		0153-0042-1000		0153-0042-1000
4	"O" Ring	Viton	3/32 CS x 4-7/16 OD	1		0153-0015-1000		
	"O" Ring (Option)	Viton/Teflon	3/32 CS x 4-7/16 OD	1		0153-0024-1000		
5	Thrust Washer	Ceramic		1		0155-0009-1000		
6	Shaft	Ceramic		1		0153-0007-1000		
7	Impeller w/Ryton/Teflon/Carbon Bushing	Polypropylene		1	0153-0003-0400		0153-0003-0400	
	Impeller w/Carbon Bushing (Option)	Polypropylene		1	0153-0003-0500		0153-0003-0500	
	Impeller w/Mica Teflon Bushing (Option)	Polypropylene		1	0153-0003-0900		0153-0003-0900	
8	Impeller w/Carbon Bushing	Kynar		1		0153-0043-0500		0153-0043-0500
	Impeller w/Ryton/Teflon/Carbon Bushing (Option)	Kynar		1		0153-0043-0400		0153-0043-0400
	Impeller w/Mica Teflon Bushing (Option)	Kynar		1		0153-0043-0900		0153-0043-0900
9	Rear Housing w/Ceramic Thrust Washer	Ryton		1	0153-0005-0100		0153-0005-0100	
	Rear Housing w/Ceramic Thrust Washer	Kynar		1		0153-0041-0100		0153-0041-0100
10	Drive Magnet			1		0153-0035-0100		
11	Motor Bracket	Plastic		1		0153-0001-0100		
12	Screw	Stainless	3/8-16 x 3/4 Lg.	4		0155-0017-1000		
13	Washer	Stainless	3/8 ID x 5/8 OD	4		0155-0019-1000		
14	Motor, Drip Proof, 115/230V, 60Hz, 1 Phase			1	0153-0027-1000			
15	Motor, TEFC, 115/230V, 50/60Hz, 1 Phase			1		0153-0019-1000		
16	Motor, TEFC, 230/460V, 50/60Hz, 3 Phase			1		0153-0020-1000		
W	Wet End Kit	1, 2, 3, 4, 5, 6, 7, 9		1	0153-0056-0100		0153-0056-0100	
	Wet End Kit	1, 2, 3, 4, 5, 6, 8, 9		1		0153-0057-0100		0153-0057-0100

NOTE: When replacing impeller bushings in the field, the plastic bushings must be bored to size after they have been pressed into the impeller. Bore to 0.379/0.381 inches I.D. The carbon and ceramic bushings are to finished size and do not require boring after assembly. When attaching the Drive Magnet to the motor shaft, position the face of the Drive Magnet 3/32 inch below the face of the Motor Bracket.

NOTE: Contact Factory for other materials and/or parts not listed.

Explosion proof and special voltage motors are available upon special order.

0153-0018-1000 R22