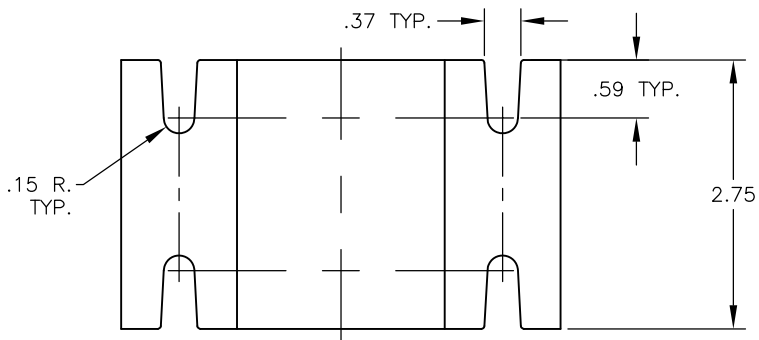
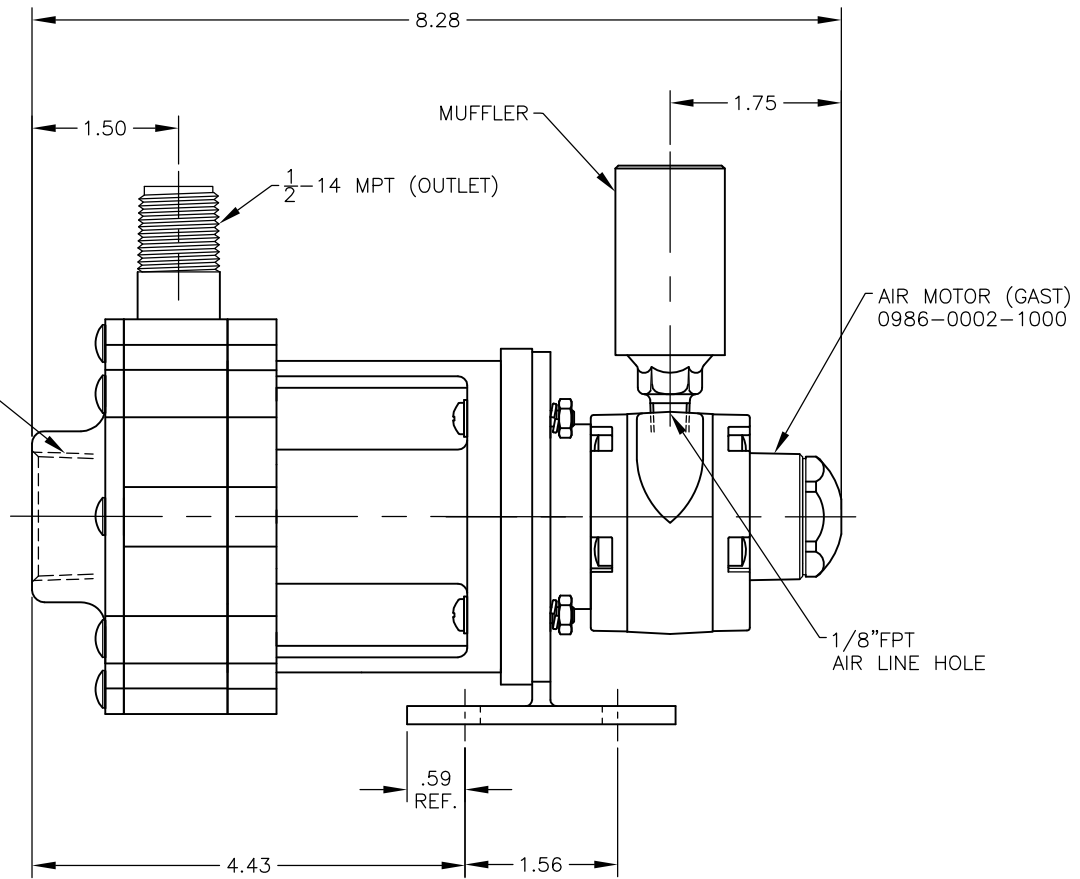


1-1 1/2 FPT (INLET)



MARCH MFG. INC.

1819 PICKWICK AVE. GLENVIEW, ILLINOIS

DRAWN BY HANS

CHKD BY JERRY

FINISH

DRWG SIZE C-17x22

DATE 4/12/07

DATE 4/12/07

MOLD NO.

TOOL NO.

FIXTURE NO.

D	HZ	4/12/07	Redrawn in autocad.
REV.	INITIALS	DATE	E.C.O.
			CHANGE

CUSTOMER MATERIAL

PART NO. 0145-0010-0600 d1 REV. D

UNLESS NOTED OTHERWISE ALL DIMS. ARE IN INCHES.

DIMS. TOL. ±0.005 ±0.03 FRACTIONS ±1/64 ANGLES ±1°

THIS DOCUMENT DISCLOSED SUBJECT MATTER IN WHICH MARCH MFG. INC. HAS PROPRIETARY RIGHTS, NEITHER RECEIPT NOR POSSESSION THEREOF CONFERS OR TRANSFERS ANY RIGHT TO REPRODUCE OR DISCLOSE THE DOCUMENT, ANY PART THEREOF, ANY INFORMATION CONTAINED THEREIN, OR ANY PHYSICAL ARTICLE OR DEVICE OR TO PRACTICE ANY METHOD OR PROCESS, EXCEPT BY WRITTEN PERMISSION FROM OR WRITTEN AGREEMENT WITH MARCH MFG. INC.

PART NAME Dimensional Assy BC-4C-MD-AM