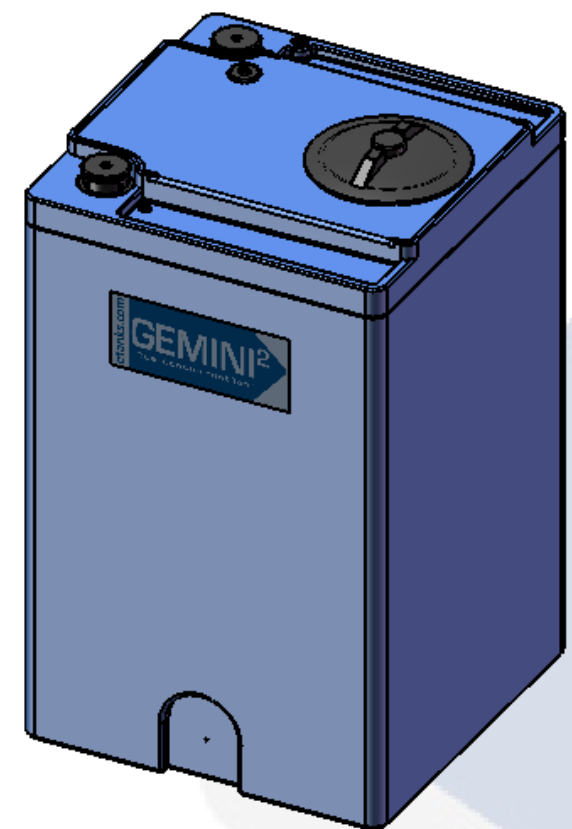
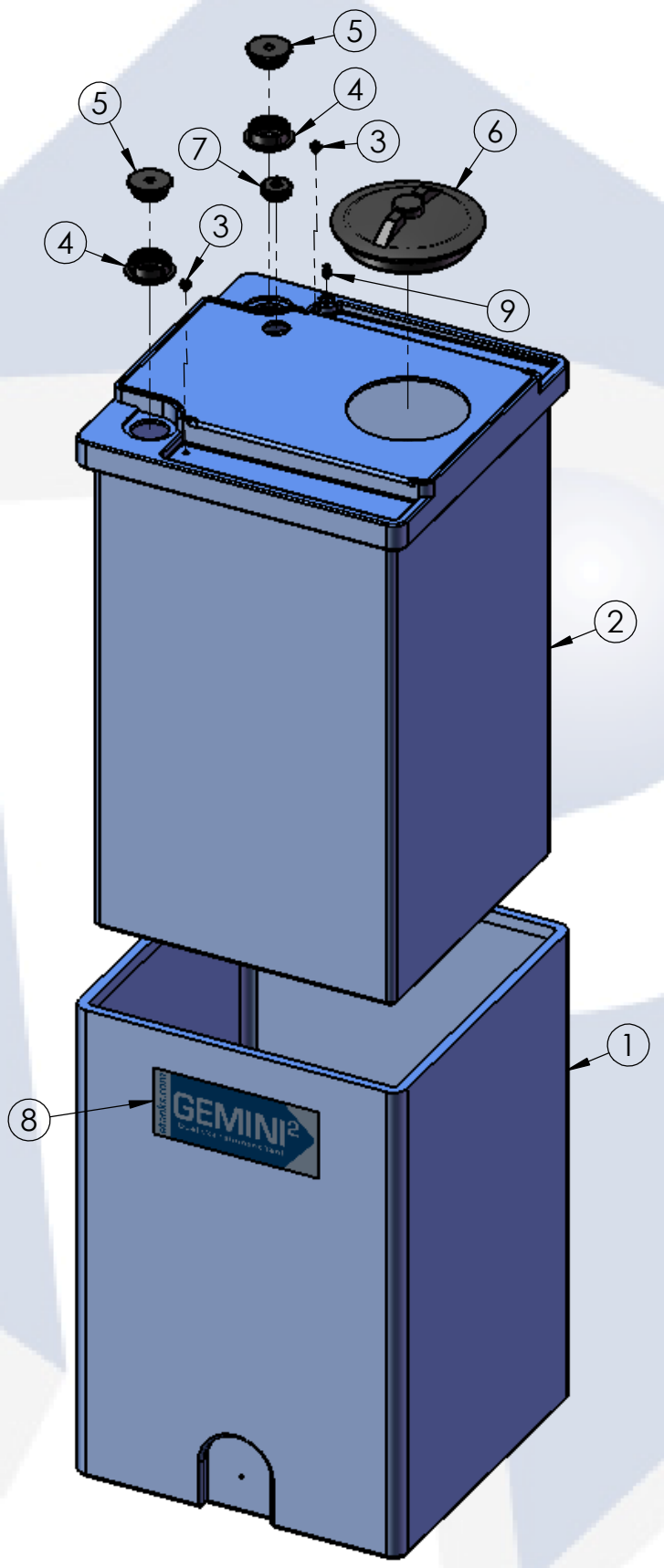


8 7 6 5 4 3 2 1

70 GALLON GEMINI ²	PART NUMBER	
	BLUE	NATURAL
STANDARD (1.5 SPG)	01-29824	01-29828
HD (1.9 SPG)	01-30068	01-30072



**ISO VIEW
ASSEMBLED**



**TRIMETRIC VIEW
EXPLODED**

TOP LEVEL ASSEMBLY BOM

ITEM NO.	DESCRIPTION	QTY.
1	GEMINI ² , 70G OUTER TANK	1
2	GEMINI ² , 70G INNER TANK	1
3	RED CAPLUG / O-RING SUB-ASSY	2
4	2" FNPT SPIN WELD FITTING, PE, BLACK	2
5	2" MPT PLUG, PE, BLACK	2
6	8" TWIST LID ASSEMBLY	1
7	2" CAPLUG / GROMMET SUB-ASSY	1
8	LOGO	1
9	PLUG, 1/4" NPT, RED CAPLUG	1

- NOTES:**
- CAPACITY: 70 GAL. NOMINAL
 - APPROXIMATE WEIGHT: 66 LBS
 - TANK MATERIAL: HDPE W/ UV INHIBITOR
 - SERVICE PRESSURE: ATMOSPHERIC

PROPRIETARY AND CONFIDENTIAL
 THE INFORMATION CONTAINED IN THIS DRAWING IS THE SOLE PROPERTY OF PEABODY ENGINEERING. ANY REPRODUCTION IN PART OR AS A WHOLE WITHOUT THE WRITTEN PERMISSION OF PEABODY ENGINEERING IS PROHIBITED.

UNLESS OTHERWISE SPECIFIED:
 DIMENSIONS ARE IN INCHES
 TOLERANCES: ±1/4"
 ANGULAR: ±.5°
 ONE PLACE DECIMAL: ±.25
 TWO PLACE DECIMAL: ±.125
 THREE PLACE DECIMAL: ±.063

DRAWN	NAME	DATE
CHECKED	MSM	11/25/13
ENG APPR.		
MFG APPR.		
Q.A.		

PEABODY engineering

PROJECT: 70 GALLON GEMINI² TANK ASSEMBLY

CUSTOMER: PEABODY STANDARD

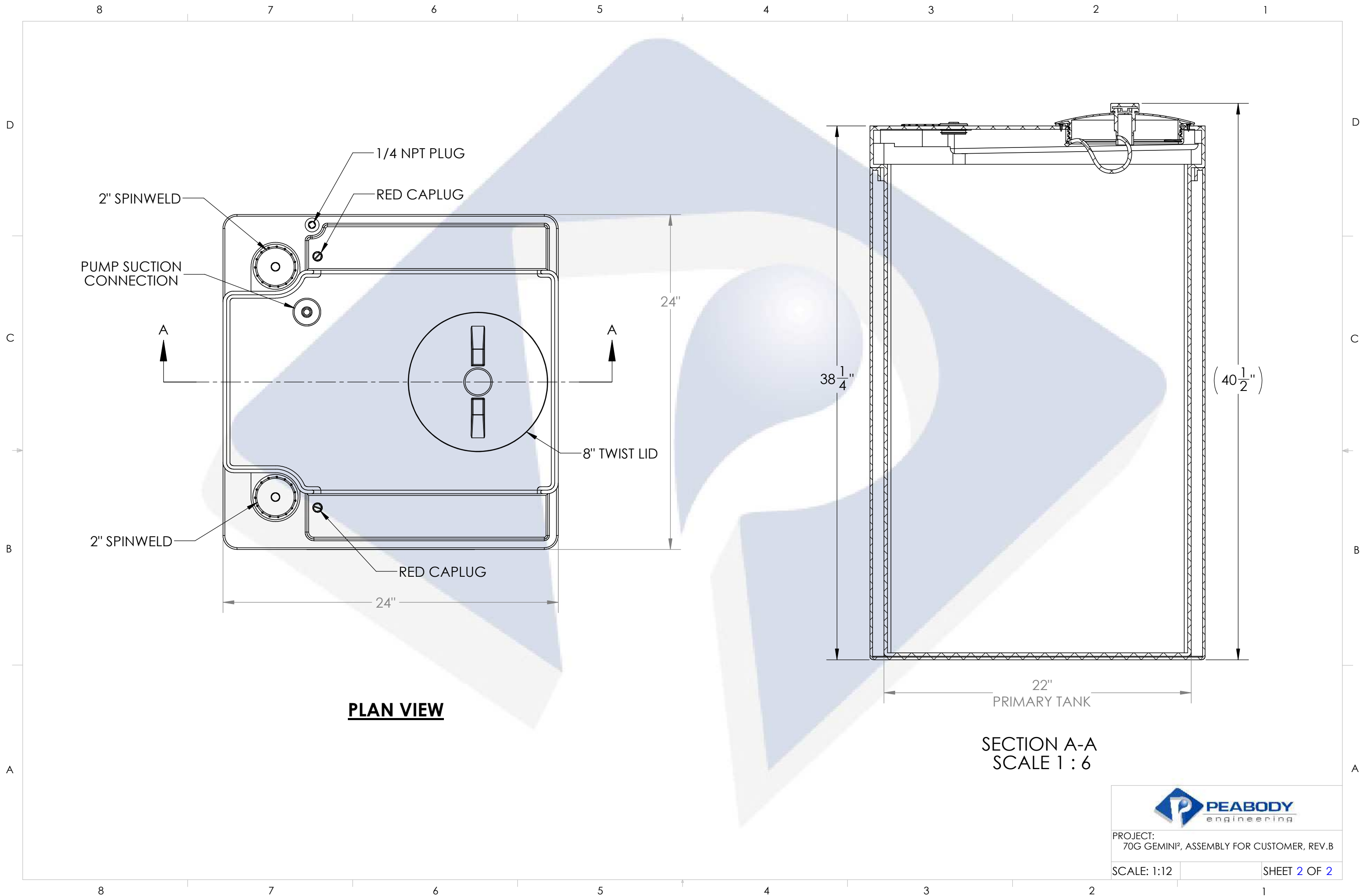
SITE/LOCATION: -

DRAWING#: SEE TABLE

SIZE	DESC.	REV.
B	PEABODY 70 GALLON GEMINI ²	B

SCALE: 1:12 SHEET 1 OF 2

8 7 6 5 4 3 2 1



PLAN VIEW

**SECTION A-A
SCALE 1 : 6**



PROJECT:
70G GEMINI², ASSEMBLY FOR CUSTOMER, REV.B

SCALE: 1:12

SHEET 2 OF 2