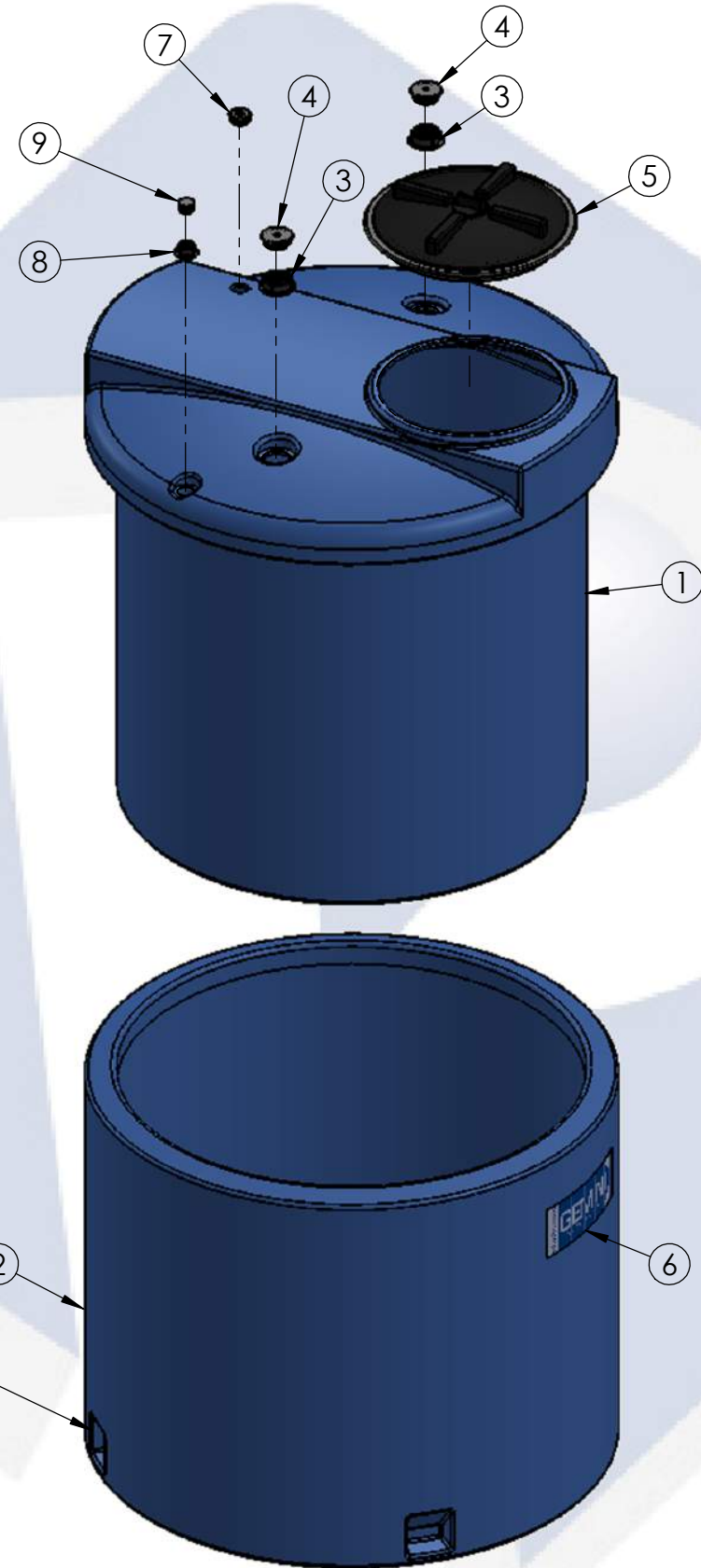


8 7 6 5 4 3 2 1

220 GALLON GEMINI	PART NUMBER	
	BLUE	NATURAL
STANDARD (1.5 SPG)	01-14872	01-1074
HD (1.9 SPG)	01-29778	01-29769



**ISO VIEW
(ASSEMBLED)**



**TRIMETRIC VIEW
(EXPLODED)**

ITEM NO.	DESCRIPTION	QTY.
1	GEMINI 220G, PRIMARY TANK	1
2	GEMINI 220G, SECONDARY TANK	1
3	2" FNPT SPIN WELD FITTING, PE	2
4	2" THREADED PLUG, PE	2
5	16" TWIST LID	1
6	LOGO	1
7	2" CAPPLUG / GROMMET SUB-ASSY	1
8	1" FNPT SPIN WELD FITTING, PE	1
9	1" THREADED PLUG, PE	1

- NOTES:**
- CAPACITY: 220 GAL. NOMINAL
 - APPROXIMATE SHIPPING WEIGHT: 195 LBS (INCLUDES PALLET)
 - TANK MATERIAL: LLDPE W/ UV INHIBITOR
 - SERVICE PRESSURE: ATMOSPHERIC

SEISMIC RESTRAINT POCKETS

PROPRIETARY AND CONFIDENTIAL
THE INFORMATION CONTAINED IN THIS DRAWING IS THE SOLE PROPERTY OF PEABODY ENGINEERING. ANY REPRODUCTION IN PART OR AS A WHOLE WITHOUT THE WRITTEN PERMISSION OF PEABODY ENGINEERING IS PROHIBITED.

UNLESS OTHERWISE SPECIFIED:
DIMENSIONS ARE IN INCHES
TOLERANCES: ±1/4"
ANGULAR: ±.5°
ONE PLACE DECIMAL: ±.25
TWO PLACE DECIMAL: ±.125
THREE PLACE DECIMAL: ±.063

TANK MATERIAL: **LLDPE**
INNER TANK S/N:
OUTER TANK S/N:
CUSTOMER PO#

DO NOT SCALE DRAWING

NAME	DATE
DRAWN MSM	11/25/13
CHECKED	
ENG APPR.	
MFG APPR.	
Q.A.	

ALTERNATIVE VERSIONS
MATERIALS: XLPE, PPL, PVDF
COLORS: NATURAL, BLUE OR BLACK
AVAILABLE WITH FRP WRAP

CALL FOR PART NUMBERS



PROJECT: **220 GALLON GEMINI TANK ASSEMBLY**
CUSTOMER: **PEABODY STANDARD**
SITE/LOCATION: **-**
DRAWING#: **SEE TABLE**

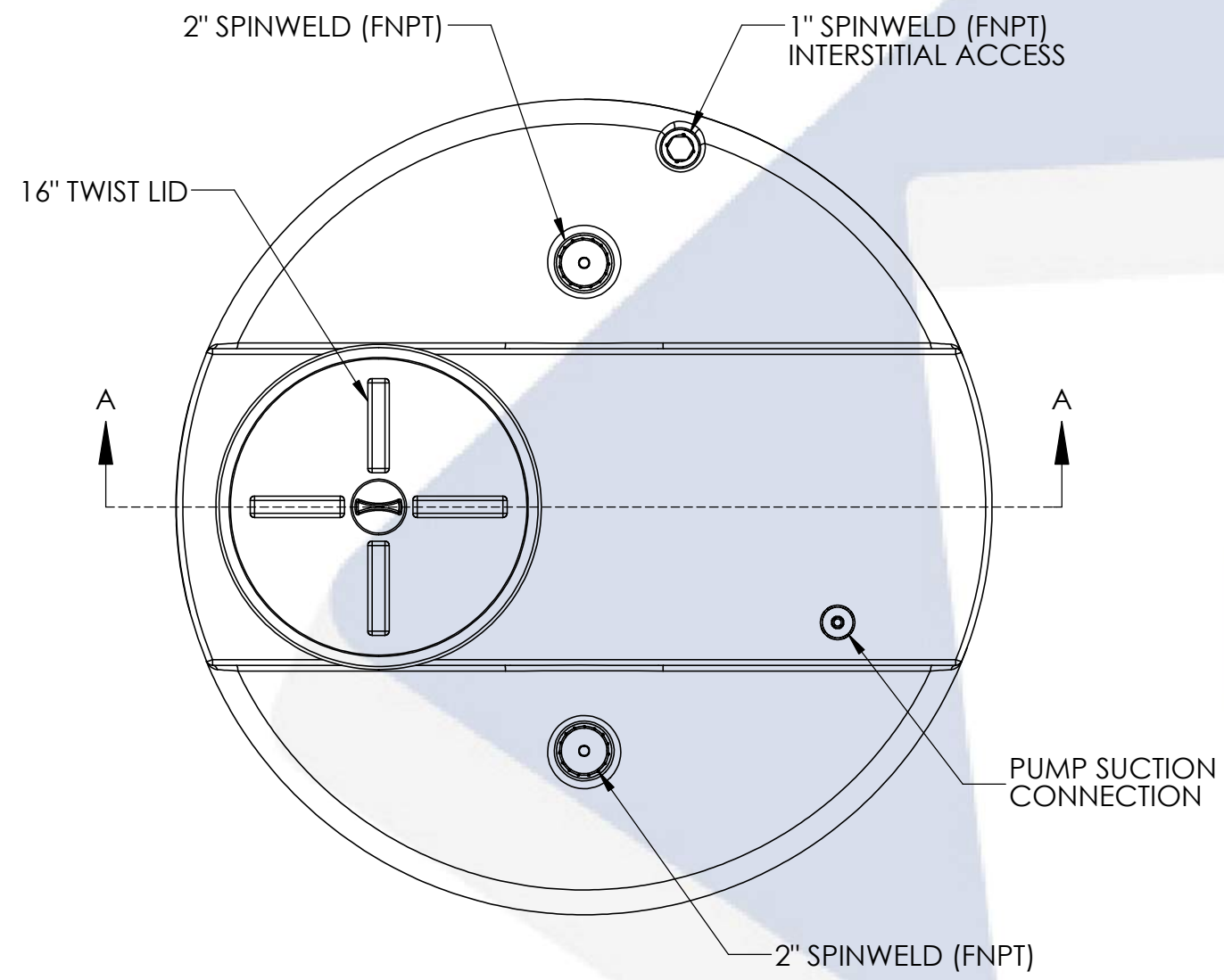
SIZE	DESC.	REV.
B	PEABODY 220 GALLON GEMINI	D

SCALE: 1:16 SHEET 1 OF 2

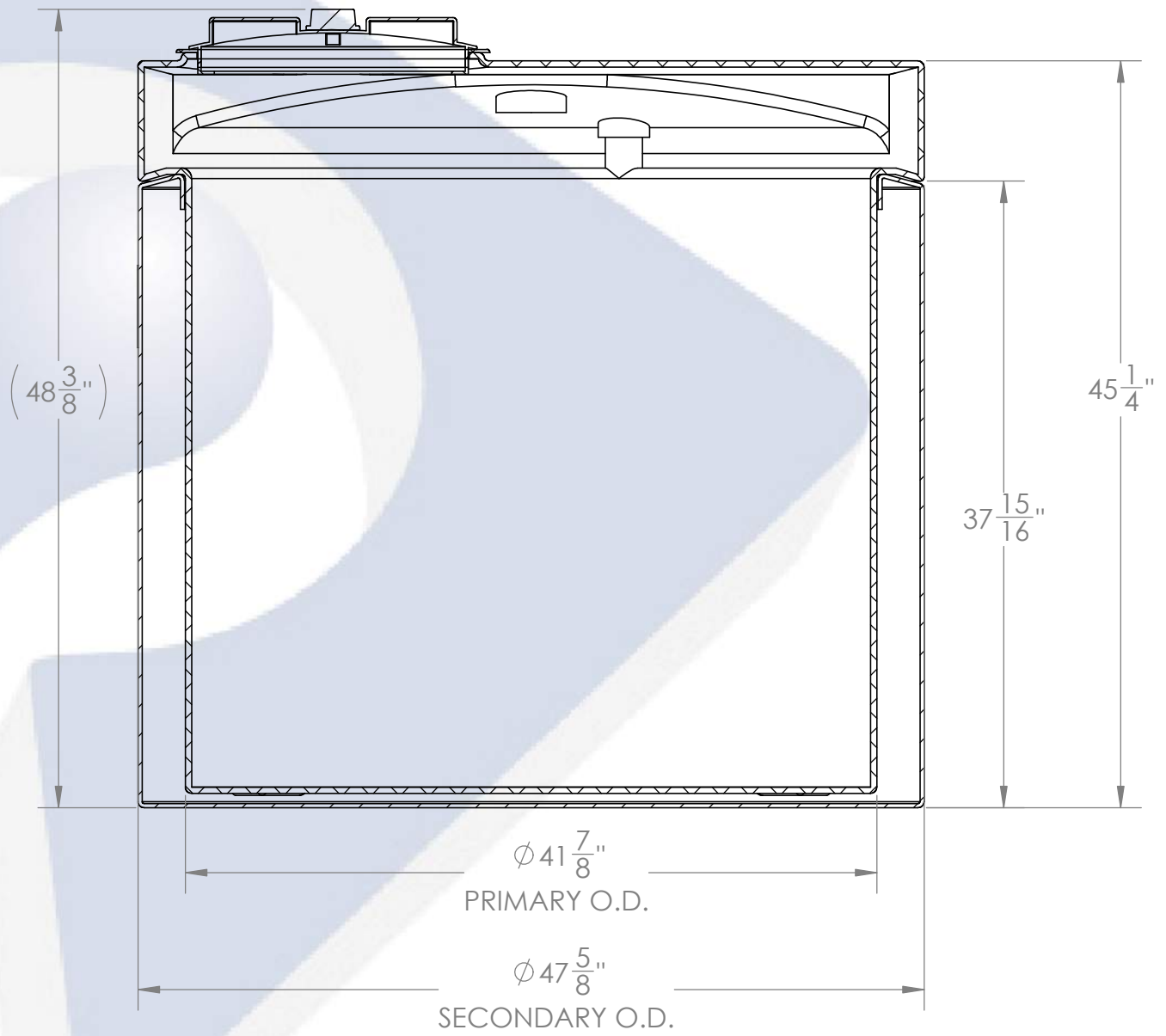
8 7 6 5 4 3 2 1

D
C
B
A

D
C
B
A



PLAN VIEW



SECTION A-A
SCALE 1 : 10



PROJECT:
GEMINI 220G, TANK ASSEMBLY FOR CUSTOMER,
REV.D

SCALE: 1:10

SHEET 2 OF 2

8 7 6 5 4 3 2 1