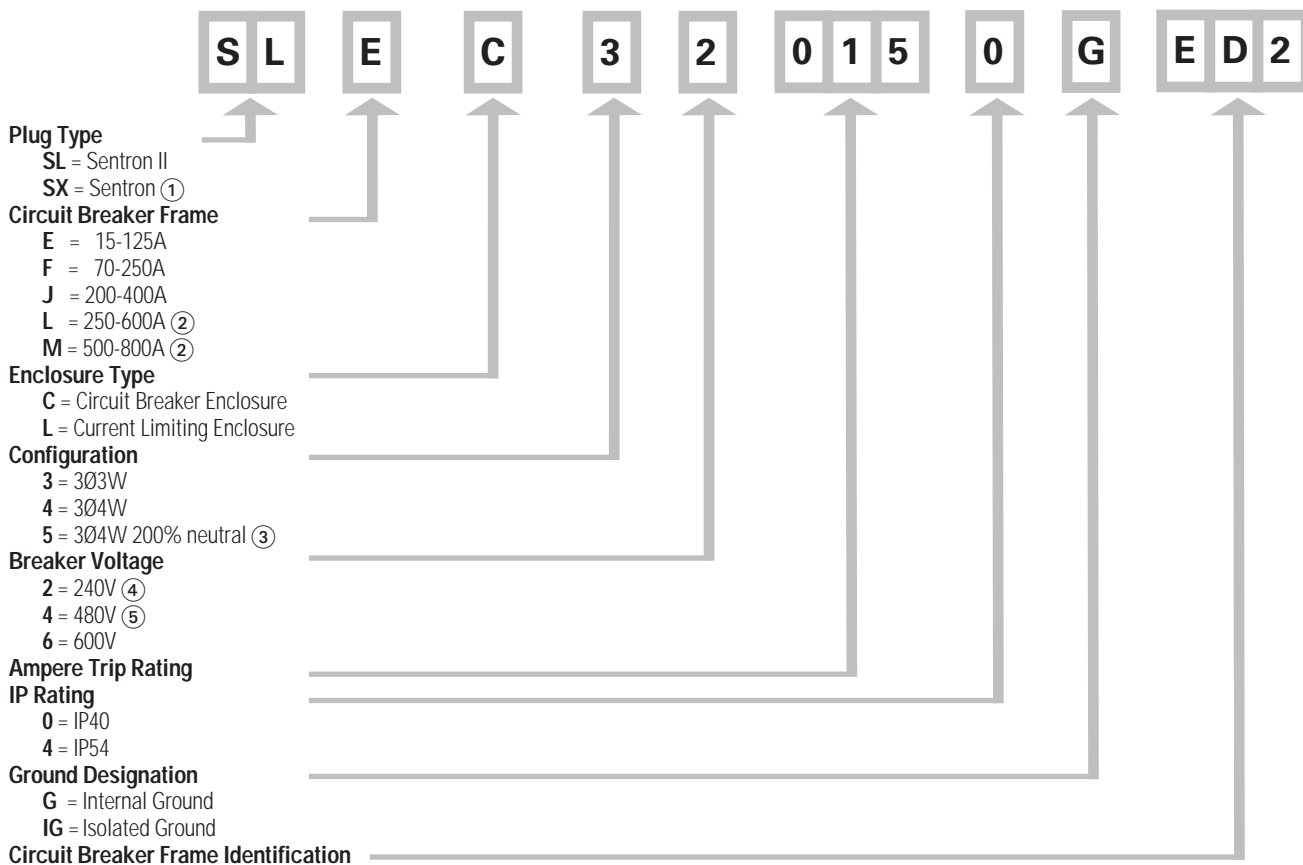
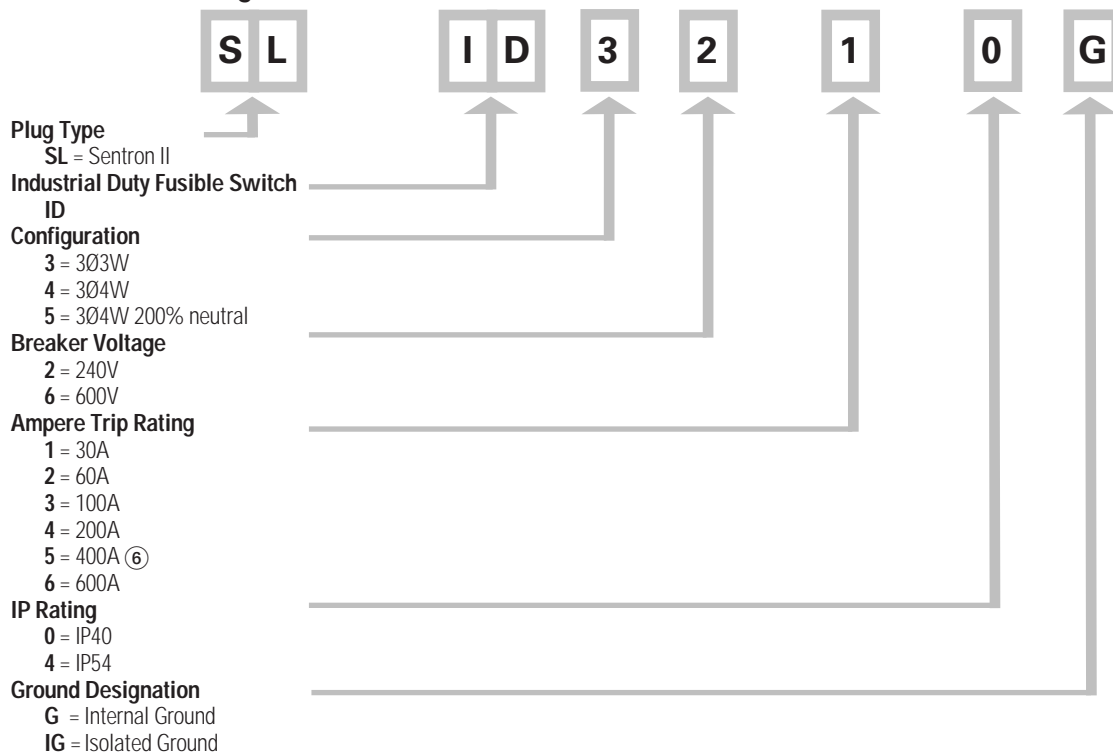


Sentron Bus Plug Catalog Numbering System

Sentron II Bus Plugs - Circuit Breaker (Installed)



Sentron II Bus Plugs - Fusible



① SX plugs may be ordered for use with Sentron Busway only and can not be installed on Sentron Low Amp Busway
② Available as SX plugs only
③ Available with E and F frame circuit breakers only

④ Available with ED2 circuit breakers only
⑤ Available with ED4 and HED4 circuit breakers only
⑥ For 400A Compact, add "CMP" to the end of catalog number

Fusible Bus Plugs



Sentron II Fusible Bus Plugs may be installed on both Sentron Busway and Sentron Low Amp Busway. Fusible bus plugs are available in 240V and 600V, 30, 60, 100, 200, 400, and 600 amp frames. An optional compact version of the 400 amp bus plug may be ordered, allowing five bus plugs to fit on one side of a 10ft. (3.05m) busway section. Due to location of the conduit knockouts this is recommended primarily for horizontal applications. Refer to dimensional diagrams for more specific design information. Sentron Fusible Bus Plugs are manufactured with Siemens switches that feature visible blade technology and a 200kA short circuit rating. Fusible bus plugs are compatible with H, R, T, K, J, and B.S. fuses. (Fuses are not included with bus plugs.) An easy to read "position indicator" label, designed to be visible from the shop floor, clearly marks whether the bus plug is in the "On" or "Off" position. All lugs have a temperature rating of 60/75° C.

Refer to the "How to Build a Catalog Number" diagram on page 23 for easy ordering instructions.

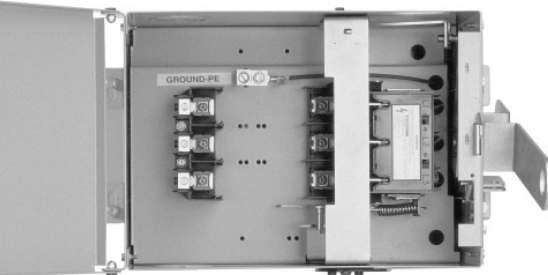
Standard Fusible Bus Plug Ratings (IP40, IP54)

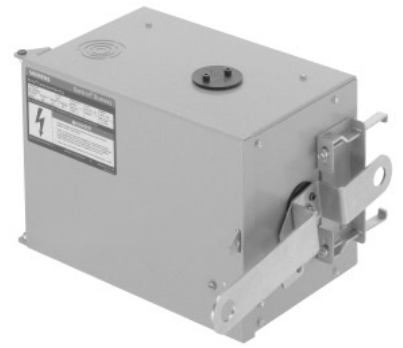
Plug-In Units Series	Fused Sw. Max. Rating	Fused Sw. Series	Fuse Class	Fuse Kits			Max. Short Circuit Current Rating
				R Fuse Kit	T Fuse Kit	J Fuse Kit	
SLID_21	30A, 240V	MCS603	H, K, R, J, B.S.	SLR2030	-	-	200KA, 240V, 3-ph
SLID_61	30A, 600V	MCS603	H, K, R, J, B.S.	SLR6030	-	SLJ6030	200KA, 600V, 3-ph
SLID_22	60A, 240V	MCS606	H, K, R, J, B.S.	SLR2060	-	-	200KA, 240V, 3-ph
SLID_62	60A, 600V	MCS606	H, K, R, J, B.S.	SLR6060	-	SLJ6060	200KA, 600V, 3-ph
SLID_23	100A, 240V	MCS610	H, K, R, J, T, B.S.	SLR6100	SLT2100	-	200KA, 240V, 3-ph
SLID_63	100A, 600V	MCS610	H, K, R, J, T, B.S.	SLR6100	SLT6200	SLJ6100	200KA, 600V, 3-ph
SLID_24	200A, 240V	MCS620	H, K, R, J, T, B.S.	SLR6200	SLT2200	①	200KA, 240V, 3-ph
SLID_64	200A, 600V	MCS620	H, K, R, J, T, B.S.	SLR6200	SLT6200	①	200KA, 600V, 3-ph
SLID_25	400A, 240V	MCS640	H, K, R, J, T, B.S.	SXR2400	SXT2400	SLJ6400	200KA, 240V, 3-ph
SLID_65	400A, 600V	MCS640	H, K, R, J, T, B.S.	SXR6400	SXT6400	SLJ6400	200KA, 600V, 3-ph
SLID_25__CMP	400A CMP, 240V	MCS640	H, K, R, J, T, B.S.	SXR2400	SXT2400	SLJ6400	200KA, 240V, 3-ph
SLID_65__CMP	400A CMP, 600V	MCS640	H, K, R, J, T, B.S.	SXR6400	SXT6400	SLJ6400	200KA, 600V, 3-ph
SLID_26	600A, 240V	MCS660	H, K, R, J, T, B.S.	SXR2600	SXT2600	SXJ2600	200KA, 240V, 3-ph
SLID_66	600A, 600V	MCS660	H, K, R, J, T, B.S.	SXR6600	SXT6600	SXJ6600	200KA, 600V, 3-ph

① Relocate Load Base

Standard Fusible Bus Plug Horsepower Ratings

Unit Cat. Number	Amp Rating	240V, 1-Phase		240V, 3-Phase		240V DC	480V, 3-Phase		600V, 3-Phase	
		Std.	Max.	Std.	Max.	Std.	Std.	Max.	Std.	Max.
SLID321	30A	1.5	3.0	3.0	7.5	5.0	-	-	-	-
SLID322	60A	3.0	10.0	7.5	15.0	10.0	-	-	-	-
SLID323	100A	7.5	15.0	15.0	30.0	20.0	-	-	-	-
SLID324	200A	15.0	-	25.0	60.0	40.0	-	-	-	-
SLID325	400A	-	-	50.0	125.0	50.0	-	-	-	-
SLID326	600A	-	-	75.0	200.0	-	-	-	-	-
SLID361	30A	-	-	-	-	5.0	5.0	15.0	7.5	20.0
SLID362	60A	-	-	-	-	10.0	15.0	30.0	15.0	50.0
SLID363	100A	-	-	-	-	20.0	25.0	60.0	30.0	75.0
SLID364	200A	-	-	-	-	40.0	50.0	125.0	60.0	150.0
SLID365	400A	-	-	-	-	50.0	100.0	250.0	125.0	350.0
SLID366	600A	-	-	-	-	-	150.0	400.0	200.0	500.0
SLID421	30A	1.5	3.0	3.0	7.5	-	-	-	-	-
SLID422	60A	3.0	10.0	7.5	15.0	-	-	-	-	-
SLID423	100A	7.5	15.0	15.0	30.0	-	-	-	-	-
SLID424	200A	15.0	-	25.0	60.0	-	-	-	-	-
SLID425	400A	-	-	50.0	125.0	-	-	-	-	-
SLID426	600A	-	-	75.0	200.0	-	-	-	-	-
SLID461	30A	-	-	-	-	-	5.0	15.0	7.5	20.0
SLID462	60A	-	-	-	-	-	15.0	30.0	15.0	50.0
SLID463	100A	-	-	-	-	-	25.0	60.0	30.0	75.0
SLID464	200A	-	-	-	-	-	50.0	125.0	60.0	150.0
SLID465	400A	-	-	-	-	-	100.0	250.0	125.0	350.0
SLID466	600A	-	-	-	-	-	150.0	400.0	200.0	500.0

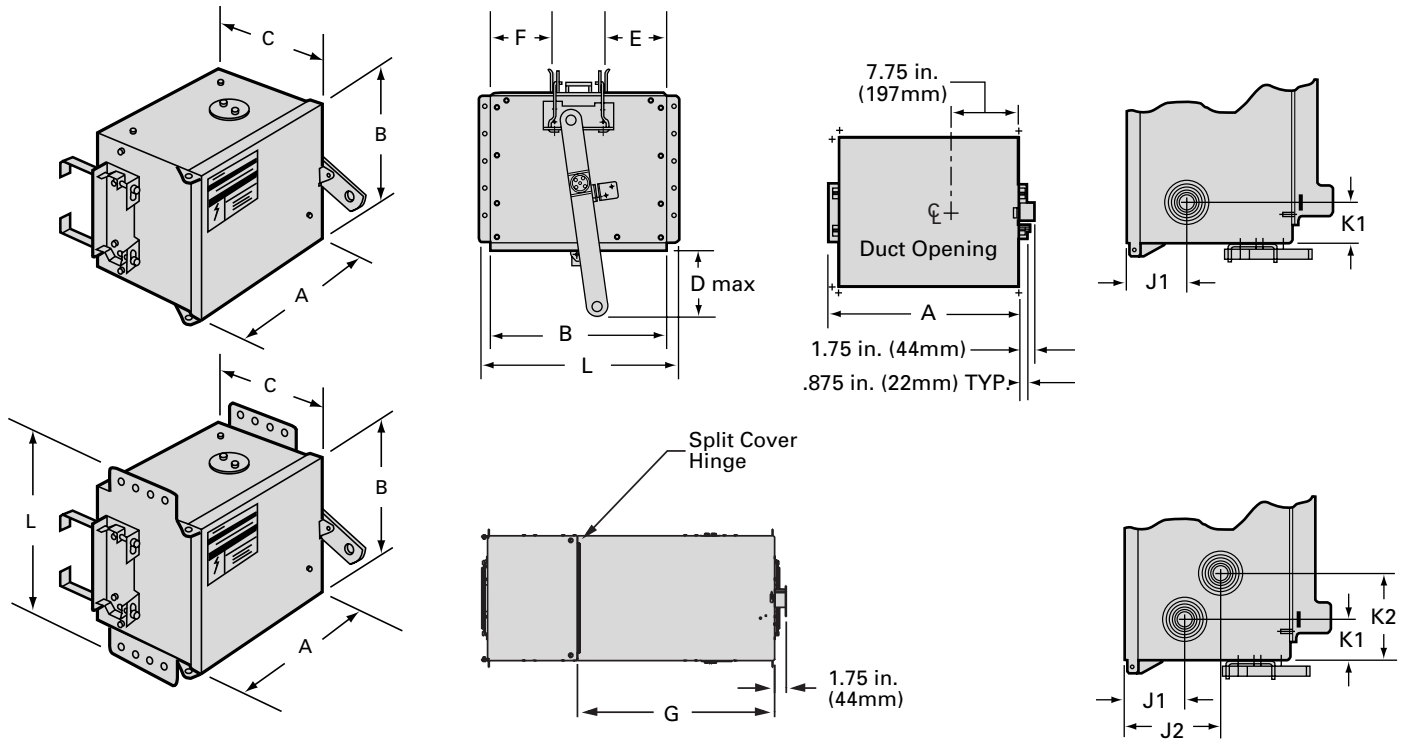




Fusible Bus Plugs, Dimensions and Weights (Enclosure only)

Ampere Rating	Dimensions Inches (mm)												Weight lbs (kg)
	"A"	"B"	"C"	"D" max.	"E"	"F"	"G"	"J1"	"J2"	"K1"	"K2"	"L"	
30	15.25 (387)	10.25 (260)	9.25 (235)	4.75 (121)	2.50 (64)	2.50 (64)	-	3.50 (89)	-	2.25 (57)	-	-	35.0 (15.87)
60	15.25 (387)	10.25 (260)	9.25 (235)	4.75 (121)	2.50 (64)	2.50 (64)	-	3.50 (89)	-	2.25 (57)	-	-	35.0 (15.87)
100	20.25 (514)	10.25 (260)	9.25 (235)	4.75 (121)	2.50 (64)	2.50 (64)	-	3.25 (83)	-	3.00 (76)	-	-	43.5 (19.73)
200	21.75 (552)	16.75 (425)	11.25 (286)	4.75 (121)	5.75 (146)	5.75 (146)	-	4.00 (102)	7.00 (178)	3.25 (83)	7.75 (197)	-	66.0 (29.93)
400 ^①	39.25 (997)	16.75 (425)	15.25 (387)	2.50 (64)	5.75 (146)	5.75 (146)	26.50 (673)	-	-	-	-	18.50 (470)	145.0 (65.77)
400 CMP	21.75 (552)	16.75 (425)	11.25 (286)	4.75 (121)	5.75 (146)	5.75 (146)	-	10.75 (273)	-	3.50 (89)	-	18.50 (470)	98.0 (44.45)
600 ^①	39.25 (997)	16.75 (425)	15.25 (387)	2.50 (64)	5.75 (146)	5.75 (146)	26.50 (673)	-	-	-	-	18.50 (470)	195.0 (88.45)

① See split cover drawing below



Fusible Switch Plugs, Load Lugs and Knockouts

Ampere Rating	Ground Lug Cu/Al	Neutral Lug Cu/Al	Phase Lug Cu/Al	Knockout sizes In. (mm)
30/60	#14-2	#14-20	#14-1/0	7/8 (22), 1 1/8 (29), 1 3/8 (35), 1 3/4 (44), 2 (51), 2 1/2 (64)
100	#14-2	#14-20	#14-1/0	7/8 (22), 1 1/8 (29), 1 3/8 (35), 1 3/4 (44), 2 (51), 2 1/2 (64)
200	#14-2	#6-350 kcmil	#6-350 kcmil	2 (51), 2 1/2 (64), 3 (76), 3 3/8 (92), 4 1/8 (105)
400	#6-250	1/0-600 kcmil or (2) 1/0 250 kcmil	1/0-600 kcmil or (2) 1/0 250 kcmil	7/8 (22), 1 1/8 (29), Pilot
400CMP	#6-250	1/0-500 kcmil or (2) 1/0 250 kcmil	1/0-500 kcmil or (2) 1/0 250 kcmil	7/8 (22), 1 1/8 (29), Pilot
600	#6-250	1/0-600 kcmil or (2) 1/0 250 kcmil	1/0-600 kcmil or (2) 1/0 250 kcmil	7/8 (22), 1 1/8 (29), Pilot