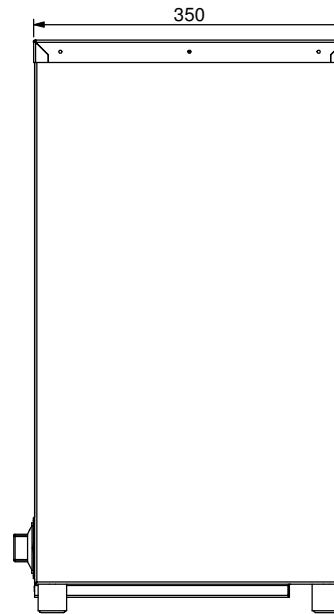
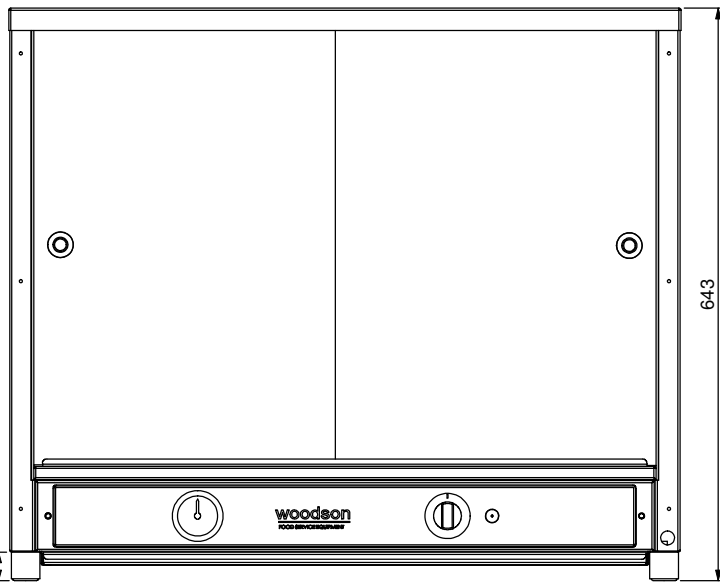
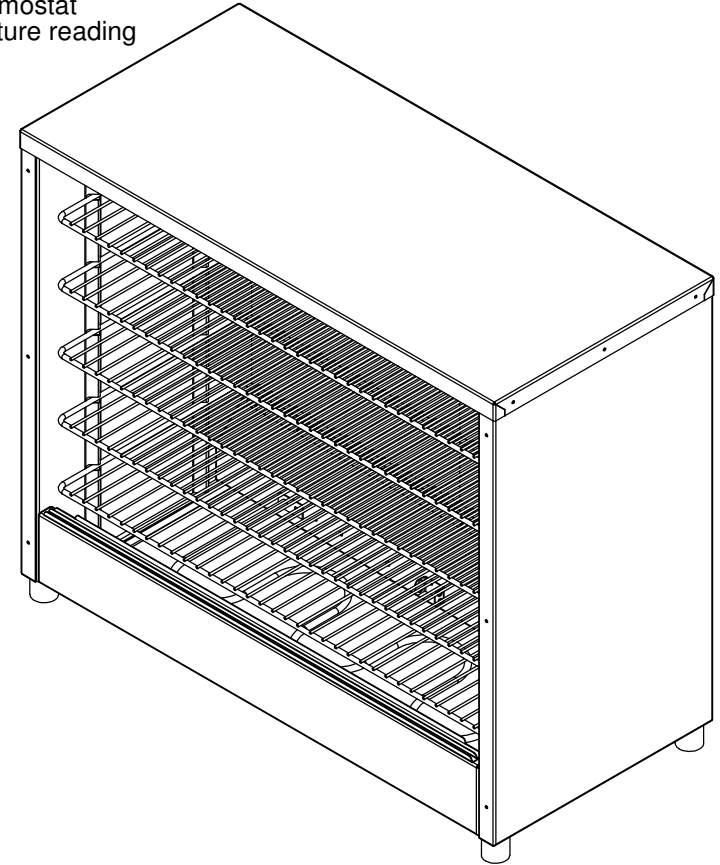
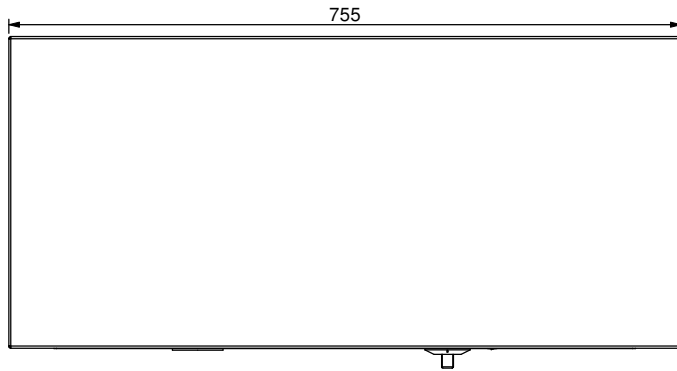


**Product Details**

Electrical Connection : Supply single phase  
 : 240v, 10amps, 1250w, 10amp plug & lead supplied  
 : 1 elements @ 1250w (240V)  
 Unit Controls : Knob for main power and thermostat  
 : Dial thermometer for temperature reading  
 Door Opening : 481 x 339



Press:	Programmed by:	Date:	Punch:	Die:
--------	----------------	-------	--------	------

**STODDART**  
 METAL FABRICATORS  
 TOM STODDART Pty Ltd ACN 009 690 251  
 215 Jackson Rd Sunnybank Hills Qld 4109  
 PO Box 420 Sunnybank Qld 4109  
 Phone (617) 3345 5011 Fax (617) 3344 1000  
 Email sunnybank@stoddart.com.au  
*Quality in stainless steel*

PRODUCT: 100 Pie Display				PART No: <b>WPIA100-A001</b>	
DRAWN	N Wooler	SIGNATURE	DATE	UNLESS OTHERWISE SPECIFIED: DIMENSIONS ARE IN MILLIMETERS	
APPV'D			16/08/2004	DESCRIPTION: General Drawing	
			MATERIAL: 430 BA S/S		REVISION
			THICKNESS:		DWG No: <b>WPIA100-D001</b>
			FINISH:		
DO NOT SCALE DRAWING			This drawing remains the property of Tom Stoddart Pty Ltd & cannot be reproduced without prior permission.		<b>B</b>
				A3	Sheet 1 of 23