

**Product Details**

Electrical Connection : 15A, 1Φ, 3-Pin plug and lead (supplied)

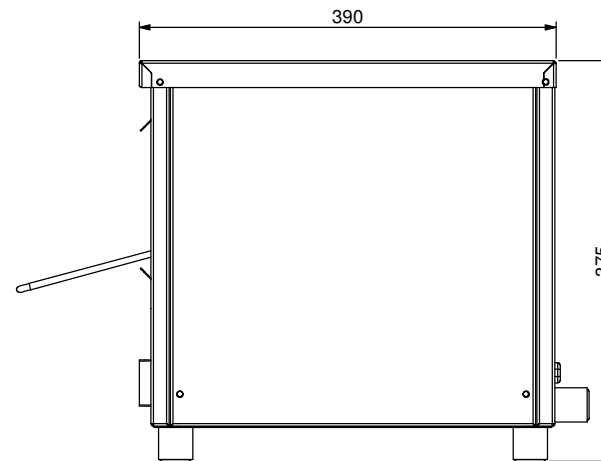
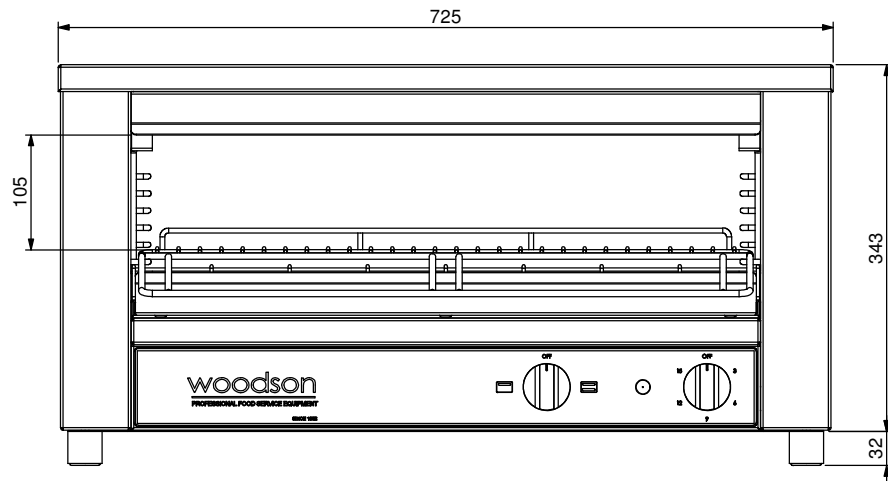
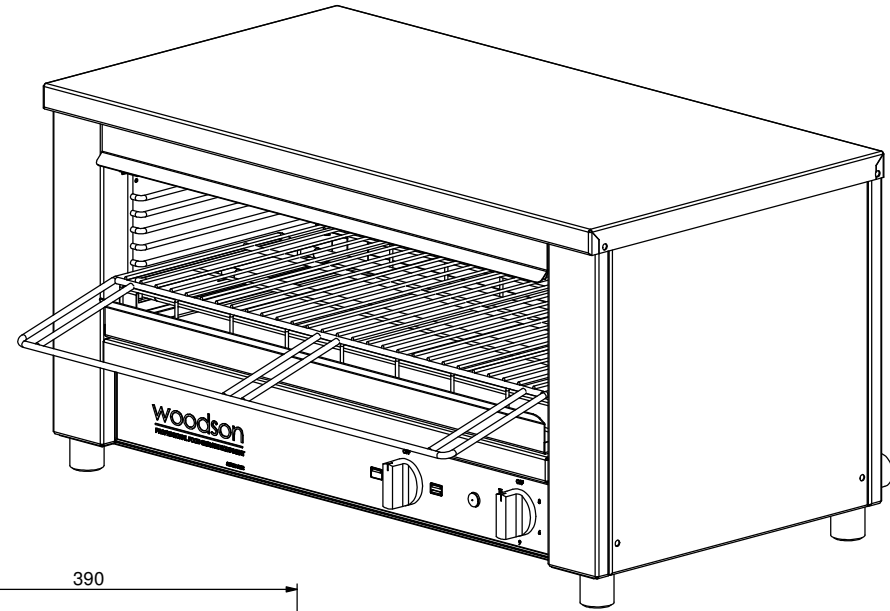
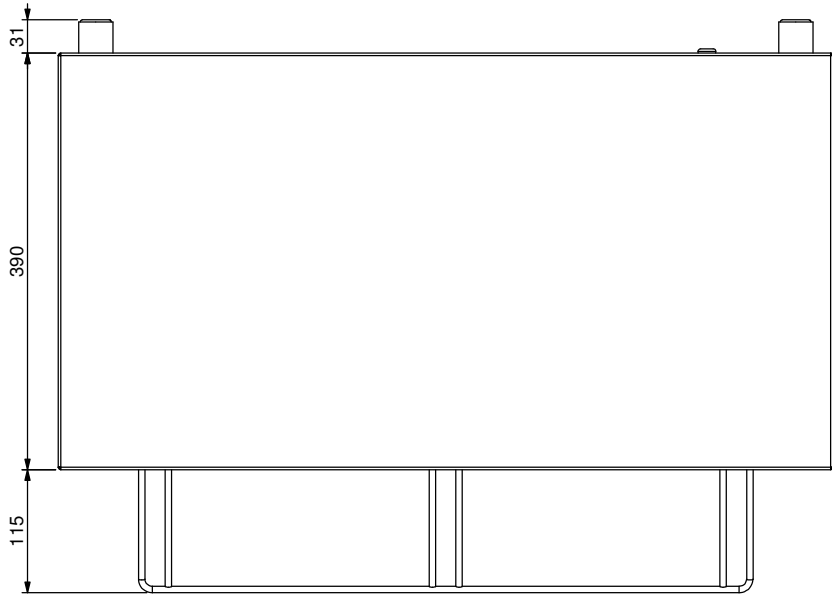
Electrical Rating : 240V, 50Hz, 14.5A, 3480W

: 6 Glass Elements @ 580w (230V)

Unit Controls

: Selector Switch for either top elements only  
or top and bottom element operation

: Selector Switch for 15min timer cycle



**STODDART**  
MANUFACTURING  
TOM STODDART Pty Ltd  
ACN 009 690 251  
www.stoddart.com.au

Woodson Grill Toaster - Quartz InfraRed				PART No: <b>W-GTQI-15 A1</b>	
DRAWN	M Sheehan	SIGNATURE	DATE	UNLESS OTHERWISE SPECIFIED: DIMENSIONS ARE IN MILLIMETERS	
APPV'D			10/08/2012	DESCRIPTION: Grill Toaster;Quartz InfraRed;15 Slice	
Weight:		THICKNESS:		Dwg No: W-GTQI-15-d01 A1	
Surface Area:		FINISH:		Dwg. Issue	
DO NOT SCALE DRAWING				This drawing remains the property of Tom Stoddart Pty Ltd & cannot be reproduced without prior permission.	
				A3	Sheet 1 of 22