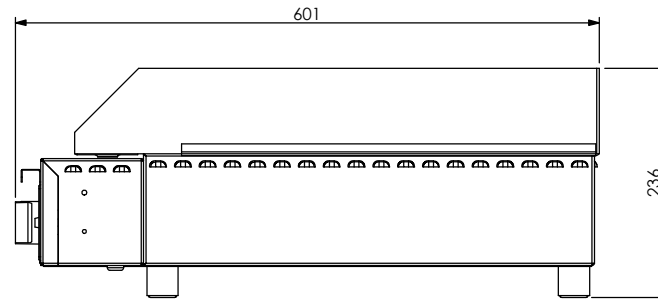
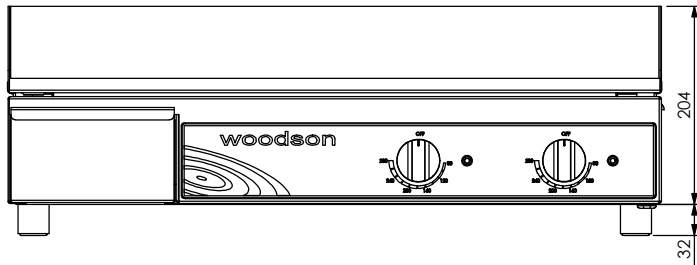
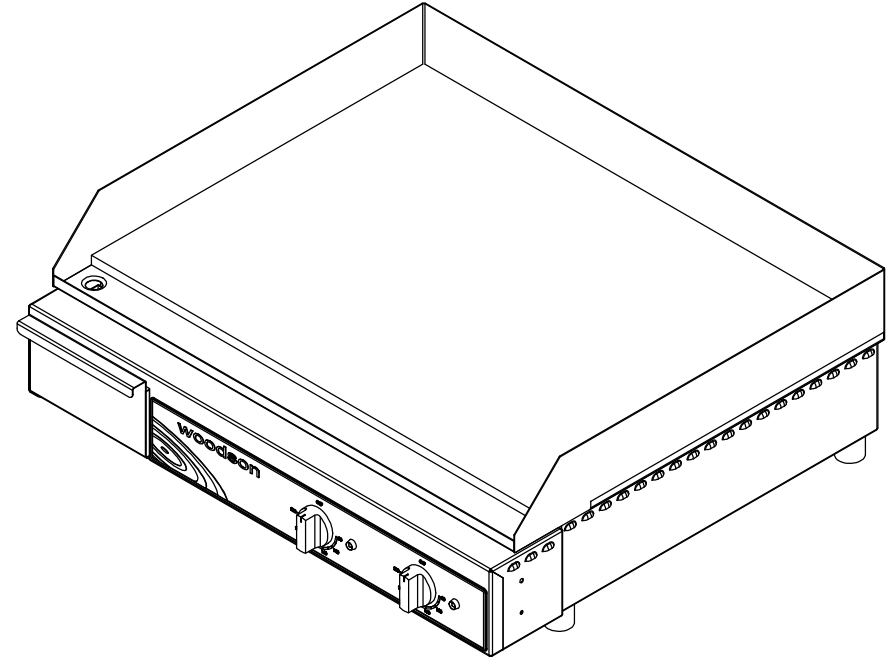
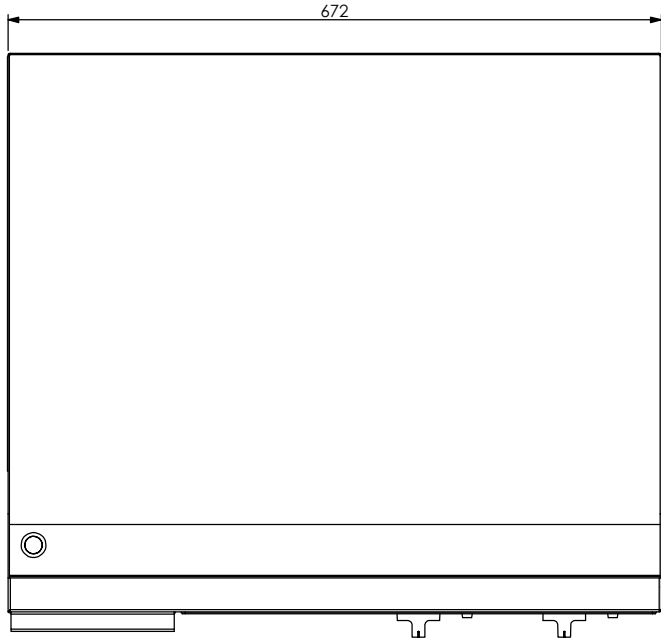


Product Details

Electrical Connection : Supply 20amp single phase
 : 240v, 20amps, 4800w, 20amp plug & lead supplied
 : 2 elements @ 2400w (240V)
 Unit Controls : 1 Knob with 285deg thermostat and indicator light
 for each element
 Plate Size : 670 x 484 x 12



STODDART
 MANUFACTURING
 TOM STODDART Pty Ltd
 ACN 009 690 251
 www.stoddart.com.au

				PART No: SP-W-GDA60 D1	
DRAWN	NAME	SIGNATURE	DATE	UNLESS OTHERWISE SPECIFIED: DIMENSIONS ARE IN MILLIMETERS	
APPV'D			22/06/2009	DESCRIPTION: Woodson;Griddle;Large;671 x 484mm;Plate	
Weight:				MATERIAL:	
Surface Area:				THICKNESS: FINISH:	
DO NOT SCALE DRAWING			This drawing remains the property of Tom Stoddart Pty Ltd & cannot be reproduced without prior permission.		
				A3	Dwg. Issue 1 Sheet 1 of 16