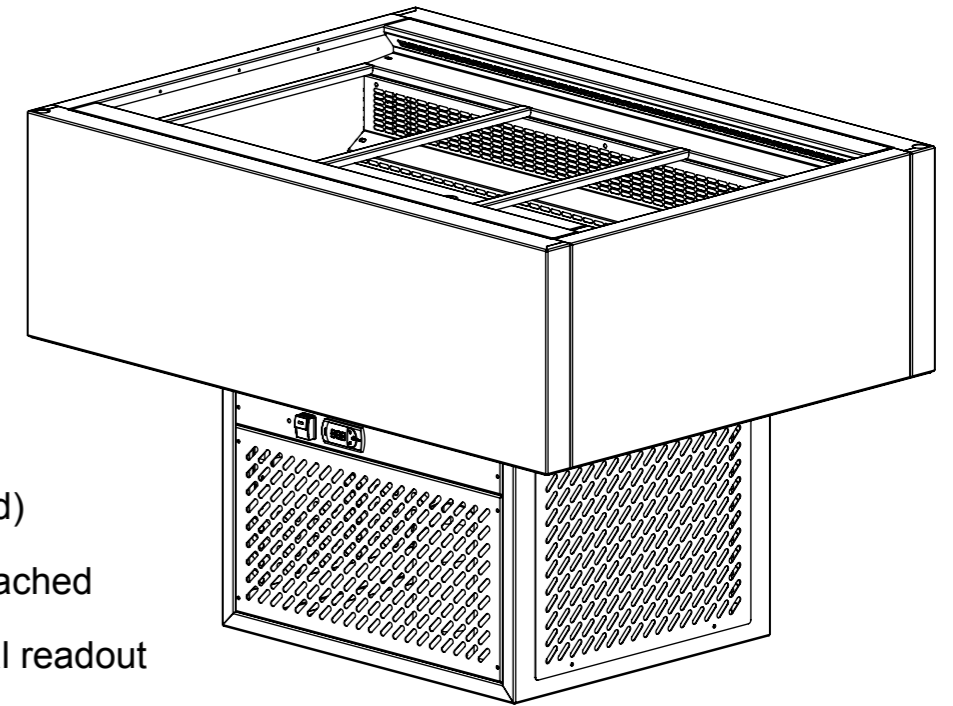
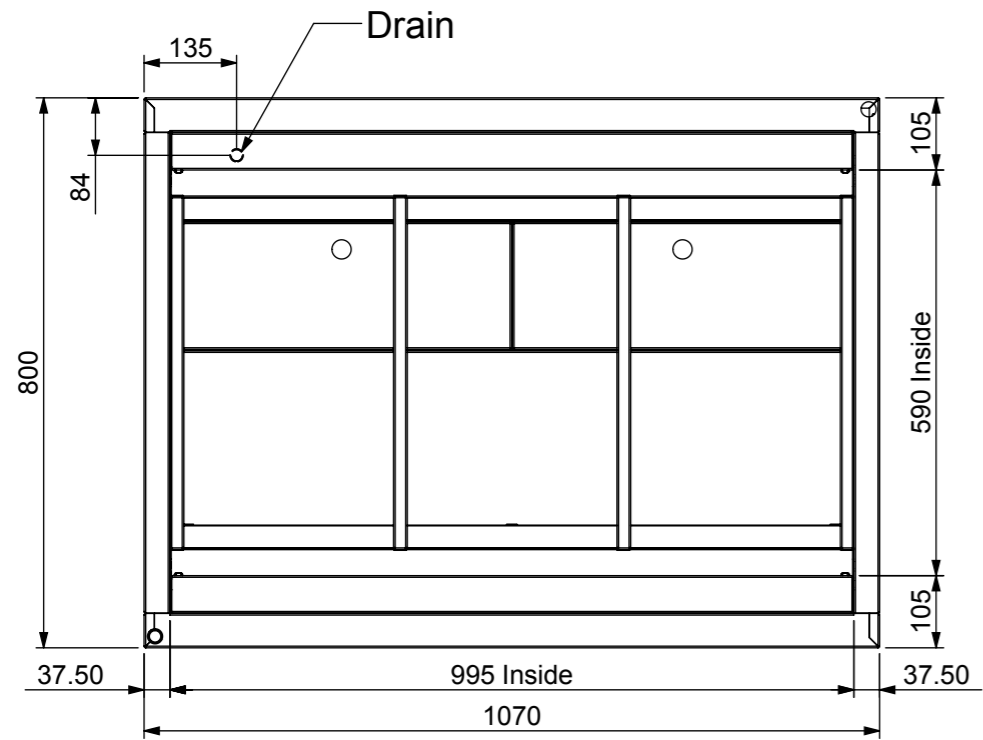
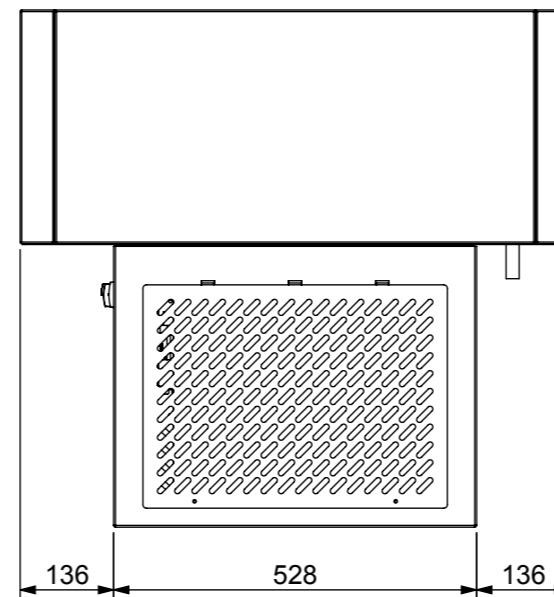
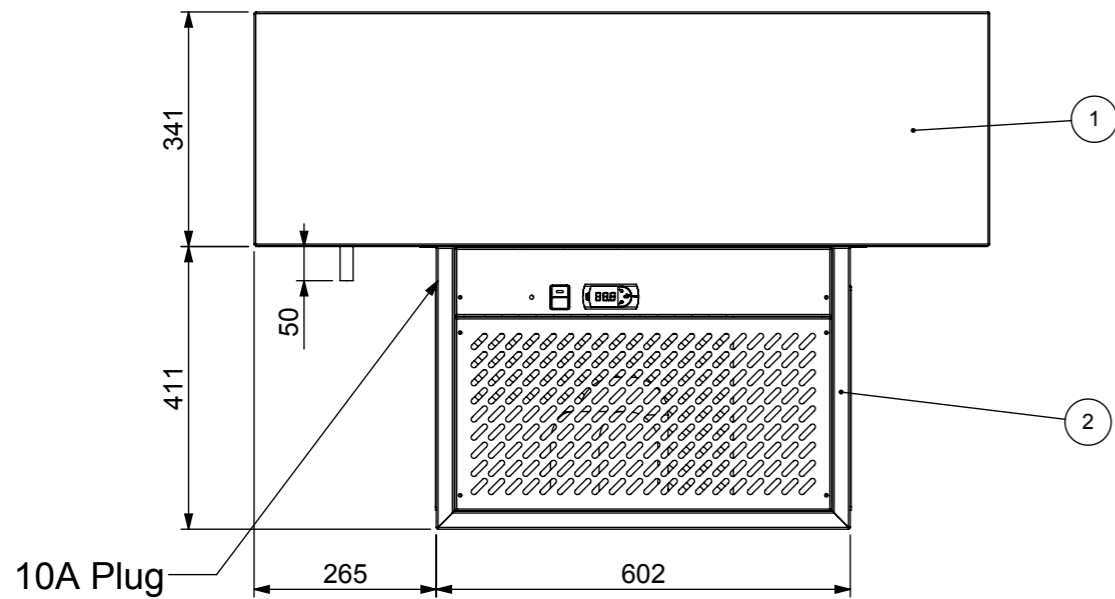


ITEM NO.	PART NUMBER	DESCRIPTION	Rev	Drawing Number	QTY.
1	WCFS23SS-A002	Body	C	WCFS23SS-A002	1
2	WCFS2xSS-CH-A001	Compressor Housing	C	WCFS2xSS-CH-D001	1



Product Details

Electrical Connection: 10A Plug & Lead (supplied)
 Electrical Rating : 240V, 4.2A, 1000W,
 Waste : 20mm with drain hose attached
 Unit Controls : Switch for main power
 : Carel controller with digital readout



**STODDART
MANUFACTURING**
 TOM STODDART Pty Ltd ACN 009 690 251
 215 Jackson Rd Sunnybank Hills Qld 4109
 PO Box 420 Sunnybank Qld 4109
 Phone (617) 3344 2444 Fax (617) 3345 6403
 Email sunnybank@stoddart.com.au
Quality in stainless steel

Woodson Self Serve Cold Food Bar

NAME	SIGNATURE	DATE	UNLESS OTHERWISE SPECIFIED: DIMENSIONS ARE IN MILLIMETERS
DRAWN C Booth		14/11/2006	
APPVD			MATERIAL:
Weight:			THICKNESS:
Surface Area:			FINISH:
DO NOT SCALE DRAWING			This drawing remains the property of Tom Stoddart Pty Ltd & cannot be reproduced without prior permission.

PART No: WCFN23SS-A001	DESCRIPTION: Cold Self Serve 3 Bay No Gantry	Dwg. Issue 3
DWG No: WCFN23SS-D001		
A3		Sheet 1 of 4

REV.	REVISED BY	DATE	REVISION DESCRIPTION	STATUS
C	C Booth	14/11/2006	Updated to match WCFS23SS	