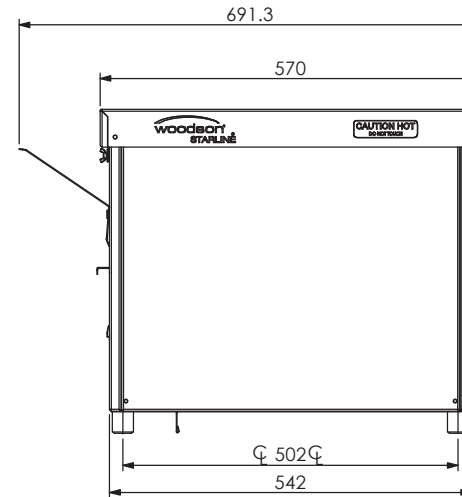
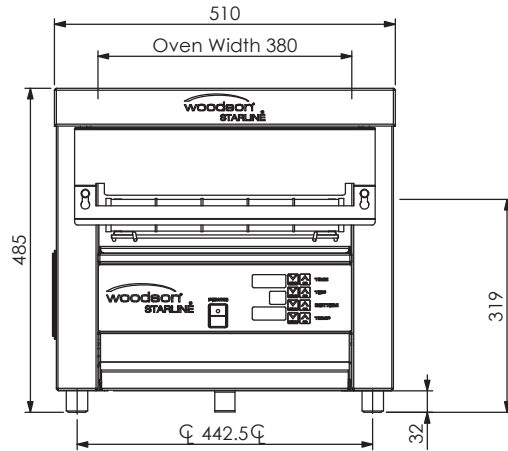
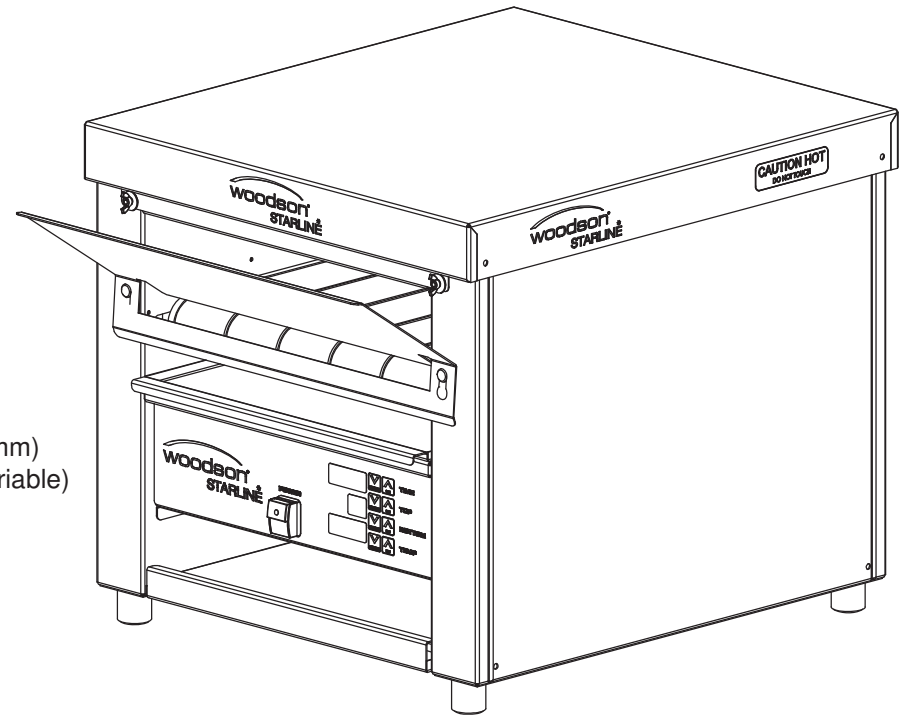


Product Details

- Electrical Connection
- 25A No Plug Supplied
 - 240v, 25Amps, 50Hz
 - 12 elements @500w (80V)

- Unit Controls
- Main Switch for Power
 - Digital Controls

- Oven Chamber
- Chamber Width = 380mm
 - Chamber Length = 542mm (360mm)
 - Chamber Entry/Exit Height = 40-85mm (Variable)
 - Conveyer Belt Width = 356mm



REV/VER.	REVISED BY	DATE	REVISION DESCRIPTION	STATUS
B1	W Preece	6/07/2016	Redesign of Starline Product	For Manufacture
B2	JeremyD	30/09/2016	Lowered screws for adjustable entry panel	For Manufacture



www.stoddart.com.au

				PART No: W-CVT-BUN-25 B2	
DRAWN	NAME	SIGNATURE	DATE	UNLESS OTHERWISE SPECIFIED: DIMENSIONS ARE IN MILLIMETERS	
APPV'D	W Preece		7/07/2016	DESCRIPTION: Woodson; Starline; Bun 25; 25Amp Bun Toaster;	
Weight:			MATERIAL:		
Surface Area:			THICKNESS:		
			FINISH:		
				DWG No: W-CVT-BUN-25-d01 B2	
				Dwg. Issue 1	

DO NOT SCALE DRAWING This drawing remains the property of Tom Stoddart Pty Ltd ABN 16 009 690 251 & cannot be reproduced without prior permission A3 Sheet 1 of 21

File Location: G:\03_Engineering\Woodson\W-CVx Conveyor Toasters & Ovens\01_Solidworks\W-CVT-BUN-25 - Bun 25\