

COMMERCIAL SINKS

Cleaners Sink



The Cleaners Sink from Stoddart is the safe cleaning solution for all commercial buildings.

It has a unique easy mount bracket to secure the unit to all walls without need for unsightly legs and keeps the floor area clear for better housekeeping and safety. Also available with front legs for mounting on non structural walls.

The bowl comes complete with 90mm basket waste for catching solids and a strong hinged grate for supporting mop buckets.



Models:

SPPL.CS.xx.450

Code explanation:

SPPL = Standard Product Plumbing

CS = Cleaners sink

xx = 01 - easy mount wall mounting bracket and front legs

= 02 - easy mount wall mounting brackets, no legs

450 = 450mm stainless steel splashback

eg.: for specification and ordering

SPPL.CS.02.450

Tapware Alternatives:



CMPL.0968 CMPL.0969



CMPL.0970

Features and Benefits:

- New easy mount bracket for quick, secure mounting on to most walls to save valuable labour time, 304 grade stainless steel bracket can be ordered extra.
- Optional front legs can be ordered if unit is to be mounted non-structural walls.
- Welded steel grate has six bars for stable support of buckets while filling and draining.
- Highly polished, 44L capacity bowl is 235mm deep to reduce splashing.
- Strong, safe hinges allow grate to be lifted for access to bowl.
- Sound suppression pad under base of bowl reduces noise.
- Rolled edges for operator and installer safety.
- 90mm waste comes with a waste basket for catching solids.
- All optional tapware are WELS and Watermark approved.



Due to product research and development, the information contained herein is subject to change without notification

Data Sheet Revision Date 17/02/2016

Manufactured by:

Tom Stoddart Pty Ltd. ABN 16 009690251
39 Forest Way, Karawatha 4117, Queensland Australia

Specifications:

Construction: 304 grade stainless steel construction, no.4 satin finish. Bowl has a highly polished finish.
Waste Connection: 90mm, basket waste with 50mm connection.
Unit Fixing: Unit is supplied with heavy duty, easy mount bracket eliminating the need for front legs and simplifying cleaning. Front legs can be added if necessary. Recommended fixing height is 500-700mm from top of bowl to floor finished level. Legs are 649mm tall - trim to suit on site if required

Models:
SPPL.CS.xx.450

Code explanation:

SPPL = Standard Product Plumbing

CS = Cleaners sink

xx = 01 - easy mount wall mounting bracket and front legs

= 02 - easy mount wall mounting brackets, no legs

450 = 450mm stainless steel splashback

eg.: for specification and ordering

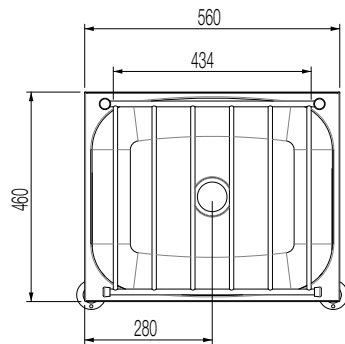
SPPL.CS.02.450

Tapware Alternatives:

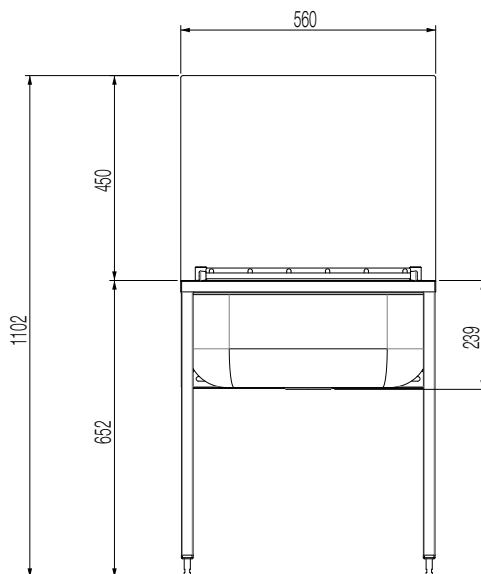

CMPL.0968 CMPL.0969



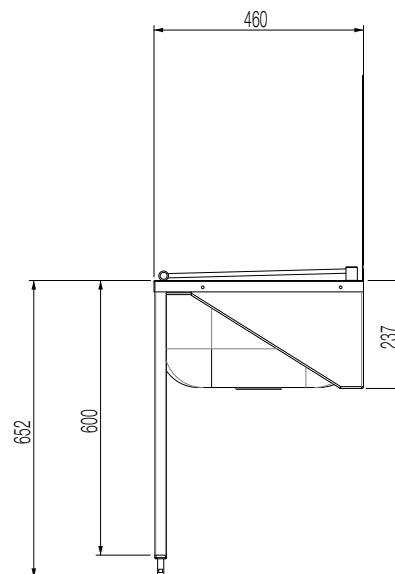
CMPL.0970



PLAN VIEW



FRONT VIEW



END VIEW

Model No.	Width (mm)	Length (mm)	Height (mm)
SPPL.CS.02.450	455	555	237 (687 with splashback)