



# CR.IBSS.CWCF.U.GSF.4

## Island Buffet Refrigerated

Stainless Top & Stainless Steel Panels



### Product Information:

- Buffet unit is fitted with an under bench cold well, **CR.CWCF.U.GSF**
- Adjustable digital temperature controller allows food to be held between +2°C to +4°C in a maximum of 32°C ambient temperature
- The blown air design passes cold air over and under the food pans creating an even cooling effect
- Fitted with a stainless steel gantry support frame and light surround
- 10mm toughened flat glass gantry fitted with high impact, low energy L.E.D. lighting
- Culinaire buffet units can be customised to suit any application (minimum dimensions of buffet unit shown below)
- Additional items can be incorporated into the buffet unit such as plate dispensers, plate shelves under, induction warming units, etc
- Internal framing is constructed from a heavy-duty stainless steel to endure the day to day use in a busy environment
- Heavy-duty non-marking 75mm swivel castors, two with brakes
- A ventilation grill is fitted to the base panels to ensure adequate ventilation to the refrigeration unit. Location will vary depending on the cold well size
- Removable condensate drip tray for water collection (no plumbing to waste required). Condensate container to be emptied between service periods
- Optional condensate burn off tray can be fitted to buffet unit at the time of manufacture

### Product Code:

- CR** = Culinaire Refrigerated  
**IBSS** = Island Buffet - Stainless Steel Top and Cladding  
**CWCF** = Cold Well - Counter Line - Fan Forced  
**U** = Under Bench  
**GSF** = Flat Glass Gantry - Stainless Steel Fixings  
**4** = 4 Modules

### Optional Extras:

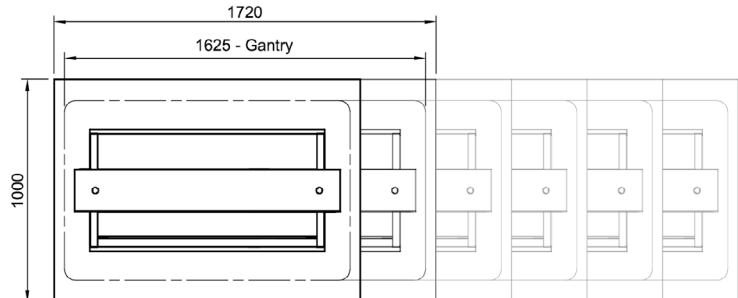
#### Condensate Burn Off Tray

- Factory fitted (If Required, must be nominated at time of order)

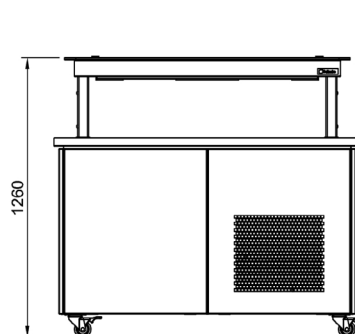
**CR.T5.ET**

### Technical Data:

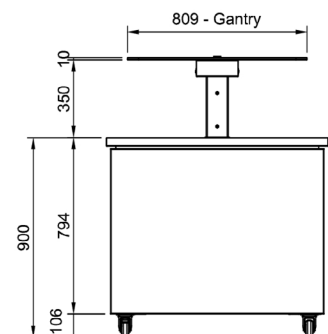
Dimensions: W x D x H: 1720 x 1000 x 1260  
 Total Connected Load: 0.82kW  
 Electrical Connection: 10A plug & lead fitted



Plan View



Front Elevation



End Elevation



Proudly Manufactured in Australia

Due to continuous product research and development, the information contained herein is subject to change without notice

### Manufactured By:

Tom Stoddart Pty Ltd. ABN 16 009690251  
 39 Forest Way, Karawatha 4117 Queensland Australia  
 Tel : +61 7 3440 7600 Fax : +61 7 33441000  
 Web site: www.stoddart.com.au

